

Tema Grønnegade 385 - LED module



Complete LED module for easy and efficient refurbishment of existing Tema Grønnegade 385 (Tema Grønnegade Lille). Not suitable for models delivered before 1996. See the compatible items below.

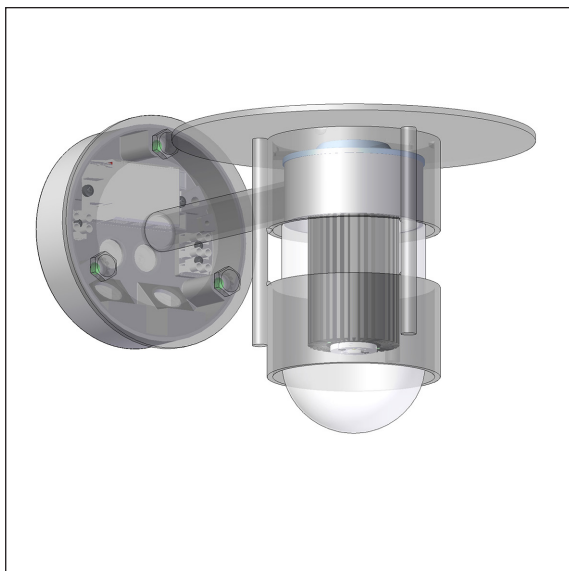
LED and driver specs:

LED type: Bridgelux Vero 10
 Energy consumption: 8 or 12 W
 Operational life: min 100,000 hours at ta max 25°C
 Colour temperature: 2700, 3000 or 4000 Kelvin
 Energy eff. class: F
 Colour rendering: min 90 Ra
 Colour accuracy: 3 Steps SDCM

Driver: 20 W LED driver, dimming optional
 Operational life: min 50,000 hours

Exchange of light source:

Loosen the secured shade on the upper ring of the housing. Demount housing and shade by loosening the three bolts. Demount lamp and ballast from the wall box. Mount the new driver in the wall box and connect the leads. Mount the LED module by means of the existing screws. Fasten the housing again by the three bolts, and secure the shade at the upper ring.



We include a blank label in the consignment. Write the old item number on the label and attach it inside the luminaire.

Variants

LED module for Tema Grønnegade 385				
Item No.	Light source	Select colour temperature and other options in the table below.		
1936-	8 W Bridgelux Vero 10, 250 mA			
1937-	12 W Bridgelux Vero 10, 350 mA			
Combine with:	Colour temperature		Dimming	
	927	2700 K, 90 Ra	V	1-10 V
	930	3000 K, 90 Ra	D	Dali
	940	4000 K, 90 Ra		
Example:	1937-930 = 12 W LED module, 3000 K, 90 Ra			
The above LED modules fit the following variants; X stands for colour code; old E-number in brackets:				
6061X (49.43.331.900), 6161X (49.43.332.909), 6261X, 6861X				
6061, 6860, 6862				