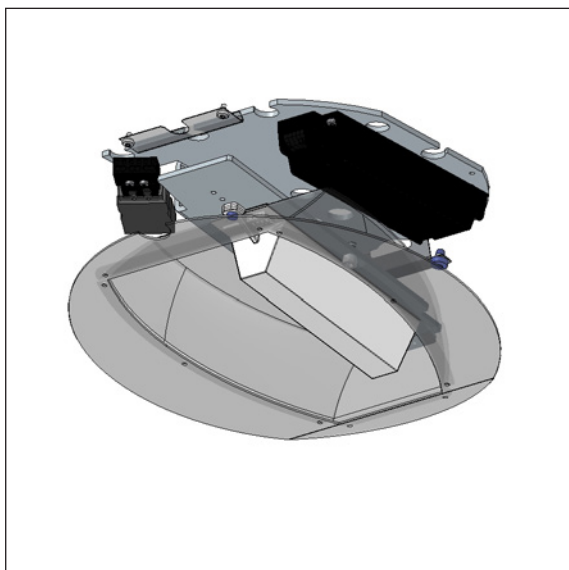


# Nyx 330 - LED module, Comfort



Complete LED module incl. mounting brackets and reflector for easy and energy efficient update of existing **Nyx 330** luminaires (lanterns and wall luminaires).

## LED and driver specification:

LED type: 2x6 DA Comfort  
 Service life: min. 100,000 hours at ta max 25°, L90B10  
 Temperature range: -30 to +35° C  
 Colour temperature: 2700, 3000, or 4000 Kelvin  
 Colour rendering: 70 or 80 Ra  
 Colour accuracy: 5 Steps SDCM  
 Lum power, Ra 80: 2700 K: 300-3000 lm, CLO, energy eff class E  
 3000 K: 300-3150 lm, CLO, energy eff class E  
 4000 K: 300-3350 lm, CLO, energy eff class D

Driver: Xitanium Full Xi FP 40 W 0.3-1.0 A, programmable  
 Inrush current: max 22 A (50% after 290 µs)  
 Surge protection: L/N-GND: 10 kV, L-N: 6 kV, (SR driver: 8 kV)  
 Service life: min 100,000 hours  
 Dimming/control: 5 steps dimming within the power range  
 Alternatively: DALI-2 (4/5-conductor cable), LineSwitch, or via Zhaga book 18 socket downwards, requires new screen with socket



## Exchange of lamp module:

**Watch video at Vimeo: Nyx 330 Change to LED**

We include a blank lable in the consignment. Write the old item number on the lable and attach it inside the luminaire.

## Variants:

LED module for Nyx 330						
Item No.	Lamp type		Select colour temperature, dimming etc. in the table below.			
1920-	2x6 DA Comfort, 32 W					
Combine with:	Colour temperature	Dimming		Classification		
	730	3000 K, 70 Ra	empty	programmable	empty	class II
	740	4000 K, 70 Ra	D	Dali-2	J	class I
	827	2700 K, 80 Ra	S	Zhaga book 18 socket, downwards		
	830	3000 K, 80 Ra				
	840	4000 K, 80 Ra				
Example:	1920-830D = Comfort LED module, 3000 K, 80 Ra, Dali-2					
The above LED module fits the following variants (X stands for colour code):						
Nyx 330 wall	6223X, 6224X, 6503X, 6513X, 6514X, 6523X, 6823X 6845, 6846, 6847, 6848, 6849, 6885, 6886, 6887, 6990					
Nyx 330 lantern	8223X, 8224X, 8501X, 8513X, 8514X, 8523X, 8823X 8810, 8811, 8816, 8822, 8824, 8825, 8826, 8827, 8828, 8829, 8910, 8913, 8914, 8918, 8919					