

Nyx 190

Design: Vilhelm Lauritzen Architects



The smallest luminaire in the Nyx family is Nyx 190 for wall or bollard mounting. As is the case with the other Nyx luminaires, Nyx 190 is available in two black, two grey colours, and the new corten brown.

With housing in cast silumin and screen in opalized polycarbonate, the luminaires are simple and resistant to vandalism. The bollard is available in two heights; 1000 or 1200 mm, the taller bollard being equipped with fuse box.

Lamp types are LED or E27 types.

In Greek mythology NYX is the goddess of the night, ruling over darkness - NYX gave birth to the day

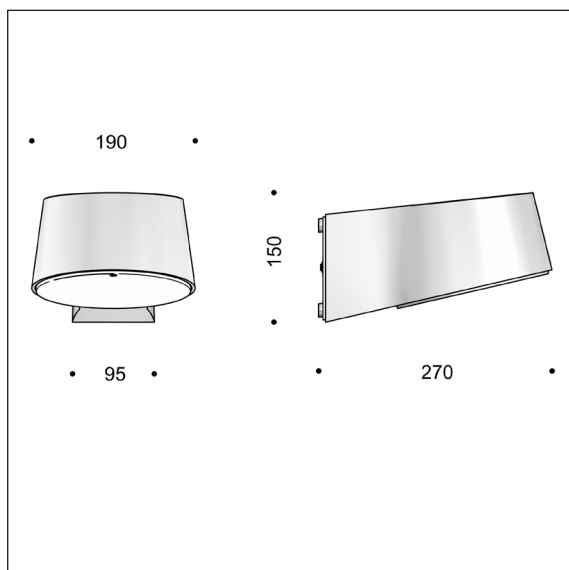


Find our sales partner in your country under Contacts at www.focus-lighting.dk

FOCUS-LIGHTING

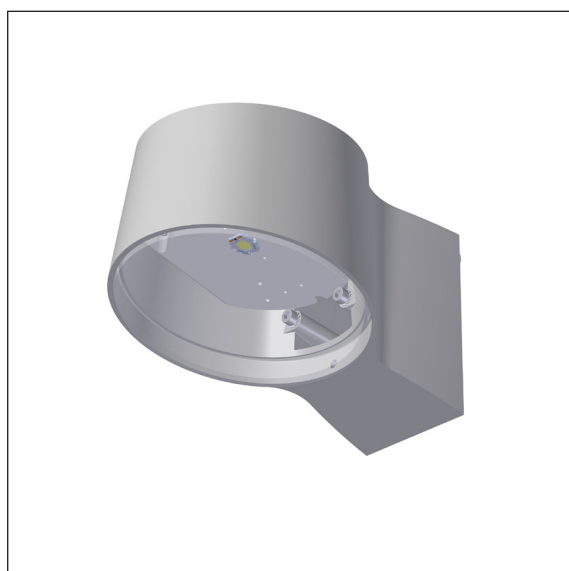
Nyx 190 Wall - LED

Design: Vilhelm Lauritzen Architects



Luminaire specification:

Material: cast aluminium
 Coating: graphite grey: YW355F
 silver grey: Y2370I
 black: RAL 9005 or Noir 900 Sablé SN351F
 corten brown: YX355F
 Screen: polycarbonate, opal white
 Mounting: on wall, double cable entry
 Connection: max 5 x 2.5 mm² into terminal block
 Classification: IP66, class I or II
 Impact resistance: IK10
 Weight: 2.6 kg
 Lamp types: LED or E27 variants.
 All lamp components as exchangeable modules.



Lamp and driver specification:

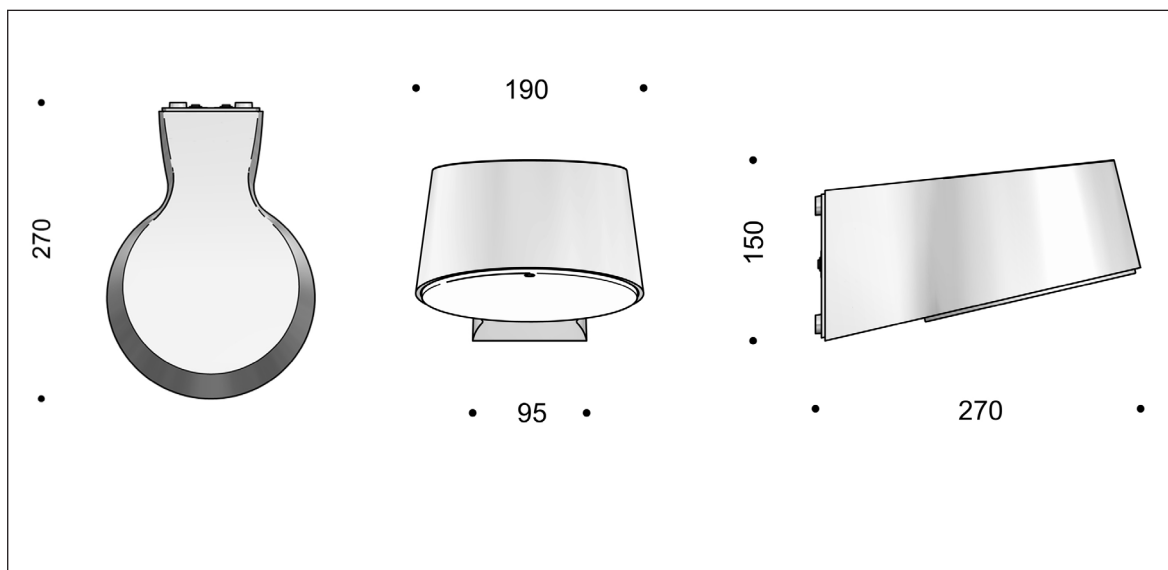
LED type: Bridgelux Vero 10
 Energy consumption: 8, 12, or 16 W
 Operational life: min 100.000 hours at ta max 25°C, L90B10
 Colour temperature: 2700, 3000, or 4000 Kelvin
 Energy eff. class: F
 Colour rendering: min 90 Ra
 Colour accuracy: 3 Steps SDCM
 Output ratio: 57 per cent
 Driver: LED driver, 20 W, dimmable at extra charge
 Inrush current: max 5 A (50% after 50 µs)
 Operational life: min 100,000 hours

Product codes:

NYX 190 for wall mounting, LED							
Item No.	Lamp type	Select colour, colour temperature, etc. in the table below.					
6877-	8 W Bridgelux Vero 10, 250 mA						
6843-	12 W Bridgelux Vero 10, 350 mA						
6844-	16 W Bridgelux Vero 10, 500 mA						
Combine with:	Colour	Colour temperature		Dimming		Classification	
	3 black RAL 9005	927	2700 K, 90 Ra	V	1-10 V	empty	class I
	4 graphite grey	930	3000 K, 90 Ra	D	Dali	K	class II
	9 silver grey	940	4000 K, 90 Ra				
	17 corten brown						
	66 black noir 900						
Example:	6843-9830 = Nyx 190 wall, 12 W Bridgelux, silver grey, 3000 K 80 Ra, without dimming, class I						
Optional							
1711-	Base for visible cables; combine with colour code						

Nyx 190 - E27

Design: Vilhelm Lauritzen Architects



Luminaire specification:

Material: cast aluminium
 Coating: graphite grey: YW355F
 silver grey: Y2370I
 black: RAL 9005 or Noir 900 Sablé SN351F
 corten brown: YX355F
 Screen: polycarbonate, opal white
 Mounting: on wall, double cable entry
 Connection: max 5 x 2.5 mm² into terminal block
 Classification: IP66, class I or II
 Impact resistance: IK10
 Weight: 2.6 kg
 Lamp types: E27 types
 All lamp components as exchangeable modules..

NYX 190 E27

Lamp type: max 57 W, max length/diameter: 130/58 mm
 We recommend Deco Aurora LED, 7.5 W

Product codes:

Item No.	E27 variants			
6022-	max 57 W			
To be combined with:	Colour			
	3 black RAL 9005			
	4 graphite grey			
	9 silver grey			
	17 corten brown			
	66 black noir 900			
Examples of product codes:	6022-66 = Nyx 190 E27, noir 900, class I			
Optional				
1100-6	A60 Deco Aurora LED dimmable, 7.5 W, 2700 K, 80 Ra, 20,000 hours operation			
1711-	Base for visible cables; combine with colour code			