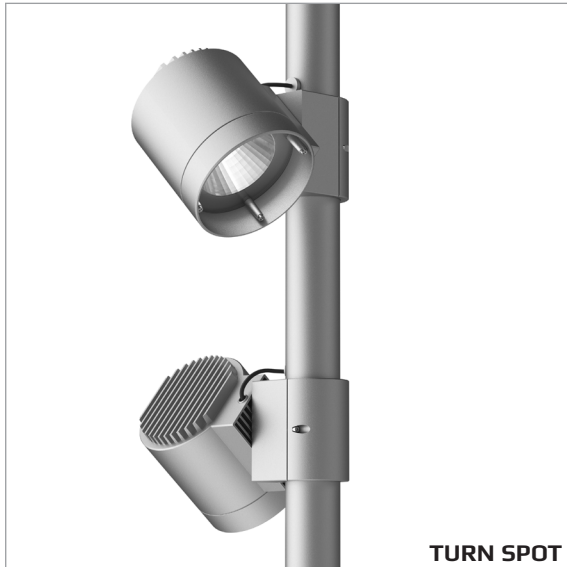


Turn

Design: FRIIS & MOLTKE Design



Turn by Friis & Moltke Design is a new brand in the Focus program.

The luminaires in cast aluminium have silk-edged shades in clear glass. The housing is completed by a long ring in cast aluminium or a short, opal-white acrylate ring.

Turn is available as a spot with reflector or with optics for asymmetrical light.



Turn Spot is equipped with a long ring in cast aluminium for cut-off and antiglare.

Turn Spot Halo is equipped with a short, opal-white acrylate ring, opening the luminaire and offering optical guidance.

Both spots are equipped with reflector and LED with light distribution in three angles: narrow (12°), medium (19°), and wide (38°).

The spots can be adjusted horizontally around the post and vertically in the bracket. When holes have been bored in the post, the spots can be turned 90 degrees to both sides.

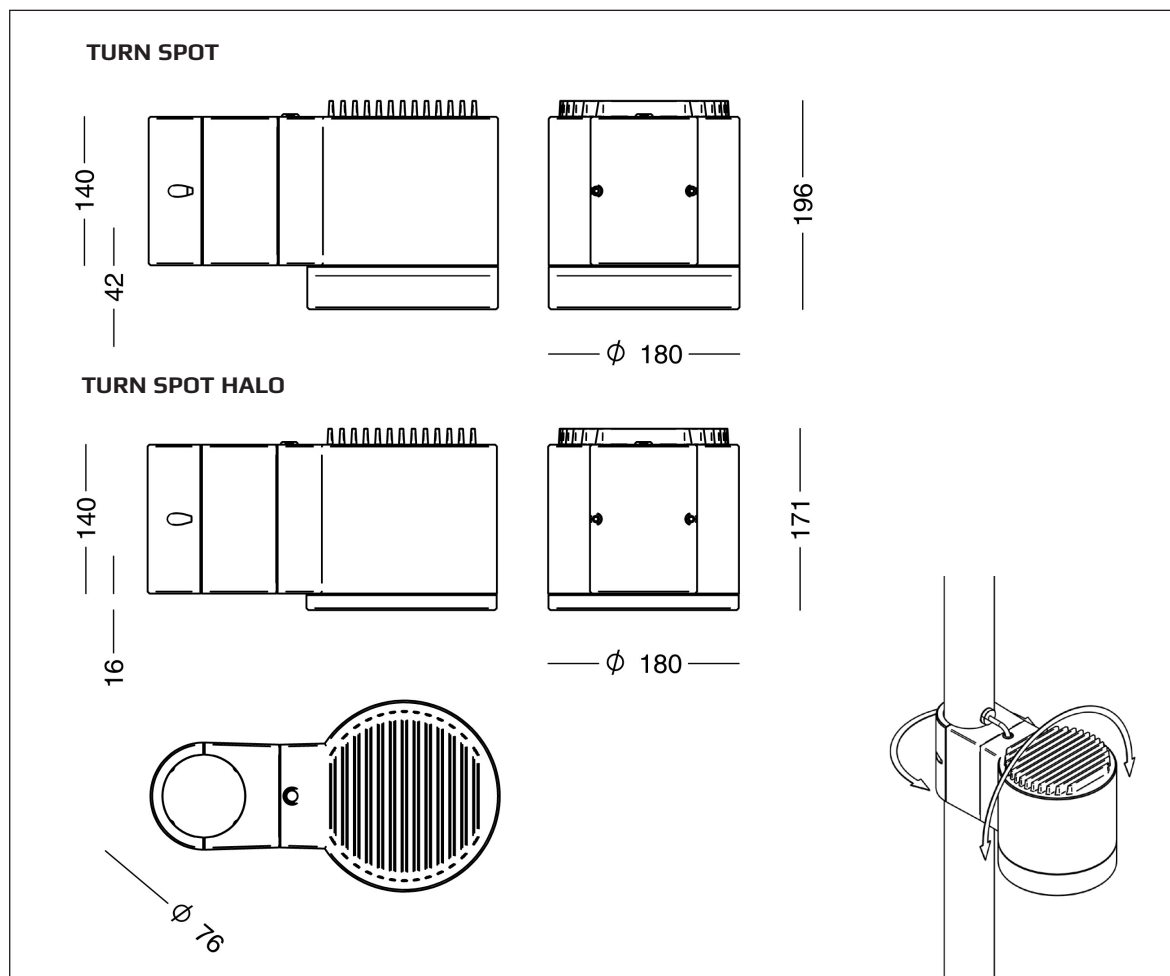


Turn Street Halo is available in one version only. The closing with the short, opal-white ring opens up for asymmetrical light onto cycling lanes and pedestrian areas.

The street luminaire will be equipped with programmed LED and lenses for asymmetrical light.

Turn Spot

Design: FRIIS & MOLTKE Design



Luminaire specification:

Material:	
Turn Spot:	Cast aluminium
Turn Spot Halo:	Cast aluminium and opal-white acrylate
Coating:	Raw anodized Graphite grey: YW355F Silver grey: Y2370I Corten brown: YX355F Black: Noir 900 Sablé, SN351F
Shade:	Clear glass with silk coating at the edge Honeycomb filter optional
Mounting:	At conical post, or design post with 76 mm cylindrical extension Adapter for 60 mm post optional
Lead:	8.5 m lead, 2 x 1 mm ² , is included
Connection:	In the post
Classification:	IP66, class II
Impact resistance:	IK08
Corrosion class:	C4, C5 optional
Wind sweeping area:	0.053 m ²
Weight:	6 kg

LED and driver specification:

LED:	Bridgelux V18
Beam angles:	wide (38°), medium (19°), or narrow (12°)
Operational life:	min 100,000 hours at ta max 25°C, L90B10 Constant lumen output
Colour temperature:	2700, 3000, or 4000 Kelvin
Colour rendering:	min 80 Ra
Colour accuracy:	3 steps SDCM
Luminous flux:	The luminous flux range quoted below is from the LED light source. Apply output ratio in order to calculate luminous flux out of the luminaire.
LED-lumen:	2700K: 400-4700 lm, energy eff class E 3000K: 410-5000 lm, energy eff class E 4000K: 425-5100 lm, energy eff class E
Driver:	Xitanium Full Xi FP 40 W 0.3-1.0 A, program.
Inrush current:	max 22 A (50% after 290 µs)
Surge protection:	L/N-GND: 10 kV (SR driver: 8 kV) L-N: 6 kV
Operational life:	min 100,000 hours
Dimming:	5-steps dimming within the lumen intervals,
Alternatively:	DALI-2 (4/5-conductor cable), LineSwitch, or via Zhaga book 18 socket

Turn Spot - Product Codes

Design: FRIIS & MOLTKE Design

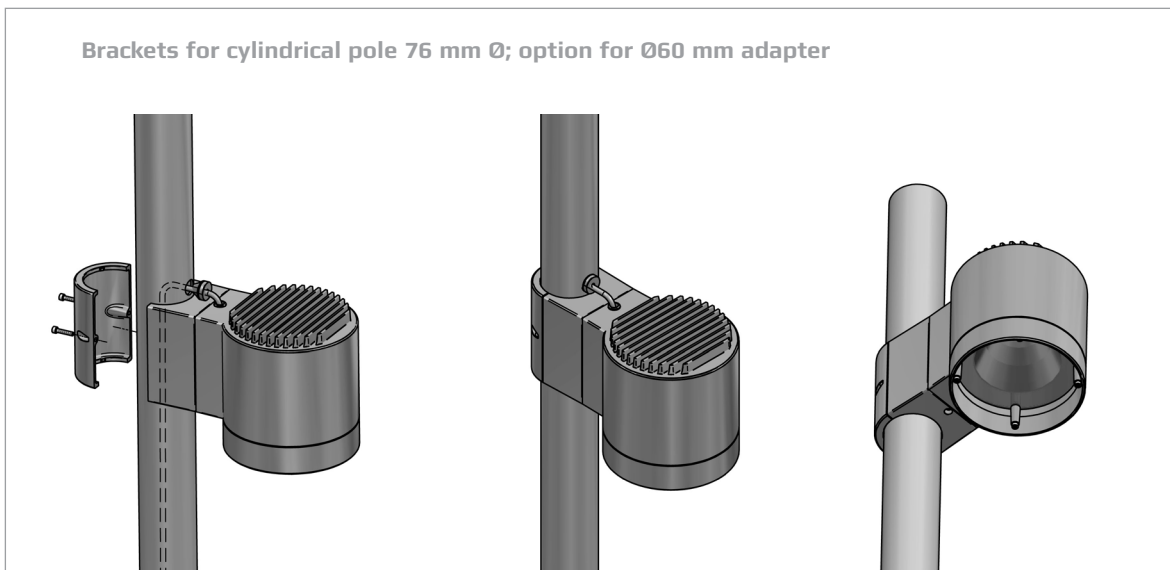
Product codes:

Turn Spot		Select colour, colour temperature, etc in the table below.					
Item No.	Beam angle	Lamp type					
8836-	Wide 38°	Bridgelux V18, programmable					
8837-	Medium 19°	Bridgelux V18, programmable					
8838-	Narrow 12°	Bridgelux V18, programmable					
Turn Spot Halo							
Item No.	Beam angle	Lamp type					
8840-	Wide 38°	Bridgelux V18, programmable					
8841-	Medium 19°	Bridgelux V18, programmable					
8842-	Narrow 12°	Bridgelux V18, programmable					
Combine with:	Colour	Colour temperature		Dimming/Control		Protection class	
	01 raw anodized	827	2700 K, 80 Ra	empty	programmable *)	empty	class II
	4 graphite grey	830	3000 K, 80 Ra	D	DALI-2	J	class I
	9 silver grey	840	4000 K, 80 Ra	F	LineSwitch		
	17 corten brown			R	socket with SR driver, Zhaga book 18		
	66 black noir 900			RC	as above, City Touch / Interact City		
	Filter	Mounting		Corrosion protection			
	empty no filter	empty	brackets for cylindrical post		C5	C5 coating	
	Y honeycomb filter	B90	brackets for conical post, Ø60-90 mm		In the case of extra corrosion protection, add C5 to the colour code; example: 8836-4C5830		
		B121	brackets for conical post, Ø91-121 mm				
Example order No.:	8836-9830J = Turn Spot, wide, programmable, silver grey, 3000 K, 80 Ra, class I						
*) programmable	When ordering, please state luminous flux as the required LED-lumen + dimming level + dimming period						
Example, profile:	4500 lm 50% 22-06 (fifty per cent dimming from 10 pm to 6 am)						
4 m post: 3 m conical + 1 m cylindrical extension Ø76 mm - for two fittings							
Item Nos.	Mounting		Select colour in the table below.				
3170-	rooted base						
3270-	flanged base						
5.5 m post: 3.5 m conical + 2 m cylindrical extension Ø76 mm - for three fittings							
Item Nos.	Mounting		Select colour in the table below.				
3172-	rooted base						
3272-	flanged base						
7 m post: 4 m conical + 3 m cylindrical extension Ø76 mm - for three or more fittings							
Item Nos.	Mounting		Select colour in the table below.				
3174-	rooted base						
3274-	flanged base						
Combine with:	Colour						
	4	graphite grey					
	7	galvanised					
	9	silver grey					
	17	corten brown					
	66	black noir 900					
Optional							
1714-1	Adapter for Ø60 mm post						
50200	Rooted base for Ø 108-140 mm post						
97033	Fuse box for 1 Neozed fuse up to 16 A						
97070	Fuse box for 2 Neozed fuses up to 16 A						
50271	Fuse box for 3 Neozed fuses up to 16 A						

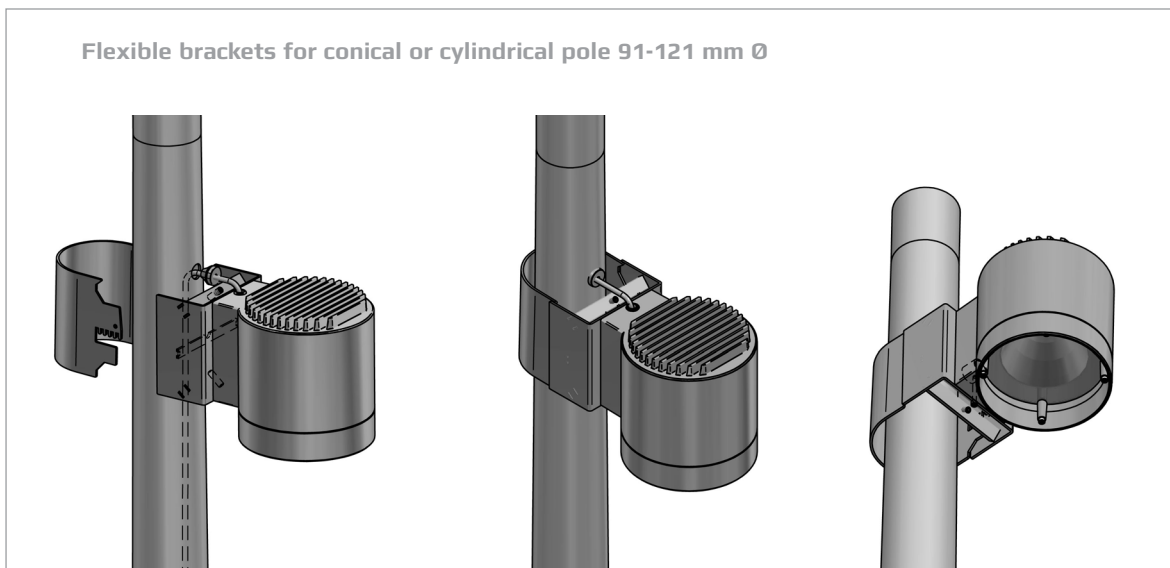
Turn - brackets for cylindrical or conical pole

Design: FRIIS & MOLTKE Design

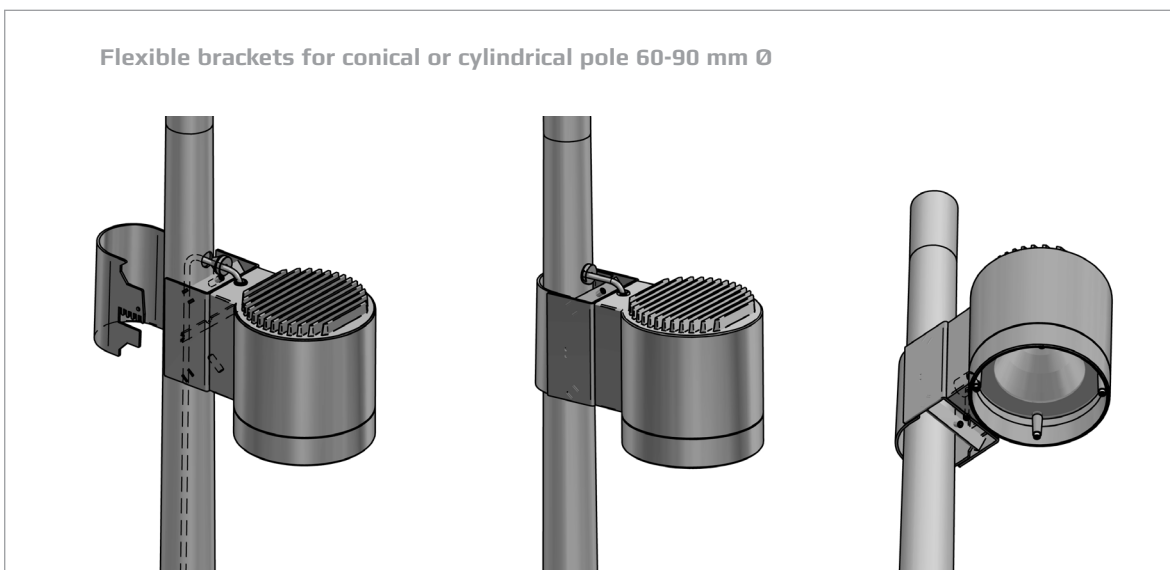
Brackets for cylindrical pole 76 mm Ø; option for Ø60 mm adapter



Flexible brackets for conical or cylindrical pole 91-121 mm Ø

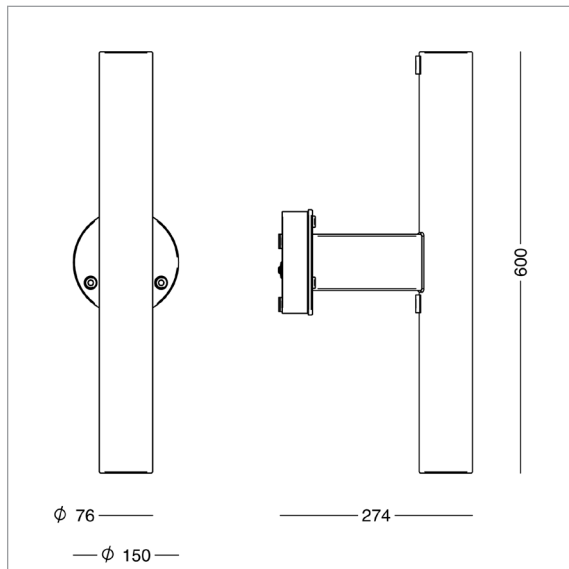
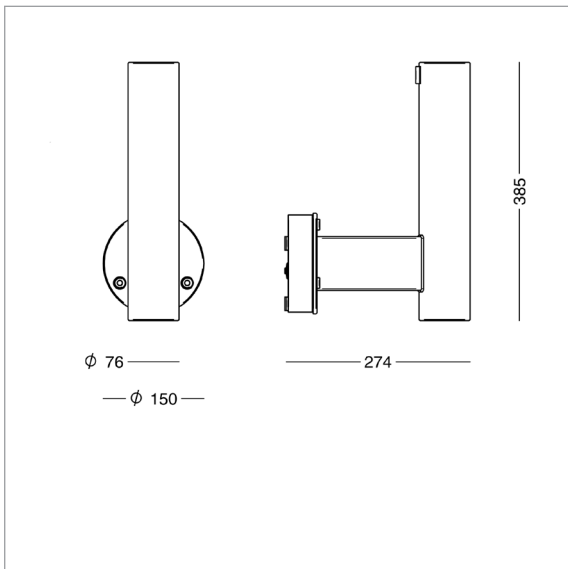


Flexible brackets for conical or cylindrical pole 60-90 mm Ø



Turn - wall mounting

Design: FRIIS & MOLTKE Design



Product codes:

Turn - arms for wall mount	Select colour in the table below.	
Item No.		
8011-	Arm, aluminium, for one fixture. Arm and fixture will be assembled by Focus Lighting.	
8012-	Arm, aluminium, for two fixtures. Arm and fixtures will be assembled by Focus Lighting.	
Combine with:	Colour	
	01	raw anodized
	4	graphite grey
	9	silver grey
	17	corten brown
	66	black noir 900