

Yoyo - surface mounting

Design: C.F. Møller Architects



Yoyo is a range of elegant interior light fixtures with low height.

CF Møller Architects have created the Yoyo family in the slim and elegant design. Characterised by the parabola finished by distinct profiles at both ends, the Yoyo light fixtures seem floating - a unique and sculptural expression.

Being edge lit, the Yoyo fixtures are free from dots and shadows from other components. They are available with opalised or prismatic shades featuring the diffuse or the directed light.

The height of the Yoyo fixtures is 51 mm, and they are ideal for any application on wall or ceiling, including staircases, corridors, etc.

Types:

For wall or ceiling, uplight/backlight optional
Pendants

Sizes:

Diameter: 225, 350, or 535 mm
Diameter pendants: 535 or 350 mm

Finish:

Raw aluminium
Various RAL colours

Lighting:

LED: Edge Lit, exchangeable
Top reflector + light guide plate (LGP)

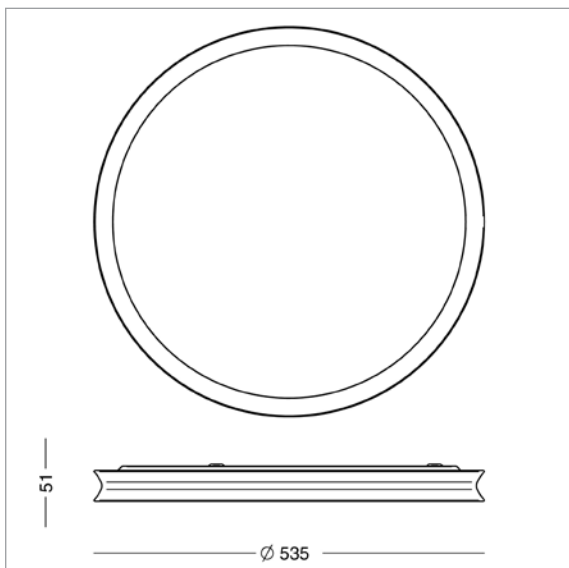
Yoyo 535 - surface mounting

Design: C.F. Møller Architects



Luminaire specification:

| | |
|-----------------|---|
| Material: | Cast aluminium |
| Finish: | Raw aluminium white RAL9010, black RAL9005, alu-grey RAL9006, yellow RAL1032, orange RAL2003, blue-green RAL6004, squirrel grey RAL7000 |
| Shade: | Acrylate (PMMA), opalised or micro prismatic |
| Mounting: | On ceiling or wall |
| Connection: | max 2 cables, 5x1.5 mm ² into 5-pole terminal block 2x2.5 mm ² |
| Classification: | IP20, class I |
| Weight: | 4.1 kg |
| Lamp type: | LED, exchangeable |



LED and driver specification:

| | |
|---------------------|---|
| LED: | Edge Lit |
| Total consumption: | 26-36 W |
| Operational life: | min 50,000 hours at ta 25°C L80B10 |
| Colour temperature: | 2700, 3000, or 4000 Kelvin |
| Energy eff. class: | 2700 K: F 3000 and 4000 K: E |
| Colour rendering: | min 90 Ra |
| Colour accuracy: | 3 Steps SDCM |
| Driver: | 500-700 mA, option for dimmable driver |
| Alternatively: | Available with driver and radar for wireless control (bluetooth) |
| Operational life: | 100,000 hours |

Product codes:

| YOYO 535 - surface mount | | | | | | | |
|--------------------------|--|---|----------------------|----------------------|-----------------|-----------------|------------------|
| Item No. | Lamp type | Select colour, colour temperature, etc. in the table below. | | | | | |
| 2914- | 26 W LED, 500 mA | | | | | | |
| 2915- | 36 W LED, 700 mA | | | | | | |
| 2916- | 26 W LED, 500 mA, with uplight | | | | | | |
| 2917- | 36 W LED, 700 mA, with uplight | | | | | | |
| Combine with: | Colour | Shade | | Colour temperature | | Dimming/Control | |
| | 0 raw aluminium | empty | PMMA opalised | 927 | 2700 K, 90 Ra | empty | no dimming |
| | 1 white RAL 9010 | M | PMMA micro prismatic | 930 | 3000 K, 90 Ra | D | Dali-2 |
| | 3 black RAL 9005 | | | 940 | 4000 K, 90 Ra | R | bluetooth sensor |
| | 19 alu-grey RAL 9006 | | | 9WD* | TW, Dali, 90 Ra | | |
| | 102 yellow RAL 1032 | | | *) longer lead times | | | |
| | 103 orange RAL 2003 | | | | | | |
| | 104 blue-green RAL 6004 | | | | | | |
| | 105 squirrel grey RAL 7000 | | | | | | |
| Example Item No.: | 2915-0M930D = Yoyo 535, 36 W, raw aluminium, micro prismatic shade, 3000 K 90 Ra, Dali | | | | | | |

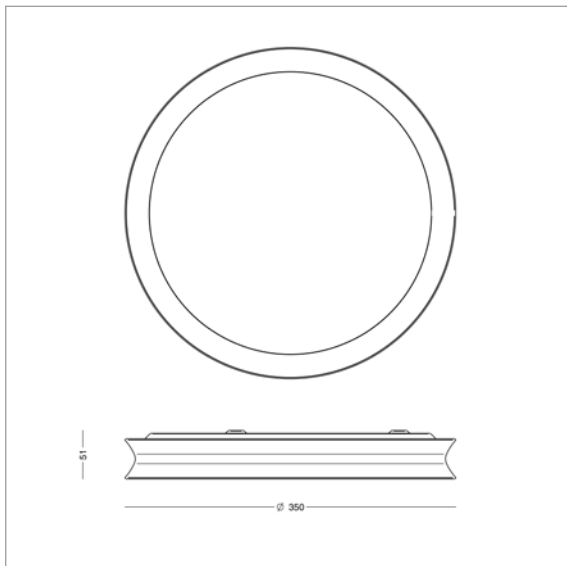
Yoyo 350 - surface mounting

Design: C.F. Møller Architects



Luminaire specification:

| | |
|-----------------|---|
| Material: | Cast aluminium |
| Finish: | Raw aluminium white RAL9010, black RAL9005, alu-grey RAL9006, yellow RAL1032, orange RAL2003, blue-green RAL6004, squirrel grey RAL7000 |
| Shade: | Acrylate (PMMA), opalised or micro prismatic |
| Mounting: | On ceiling or wall |
| Connection: | max 2 cables, 5x1.5 mm ² into 5-pole terminal block 2x2.5 mm ² |
| Classification: | IP20, class I |
| Weight: | 2.1 kg |
| Lamp type: | LED, exchangeable |



LED and driver specification:

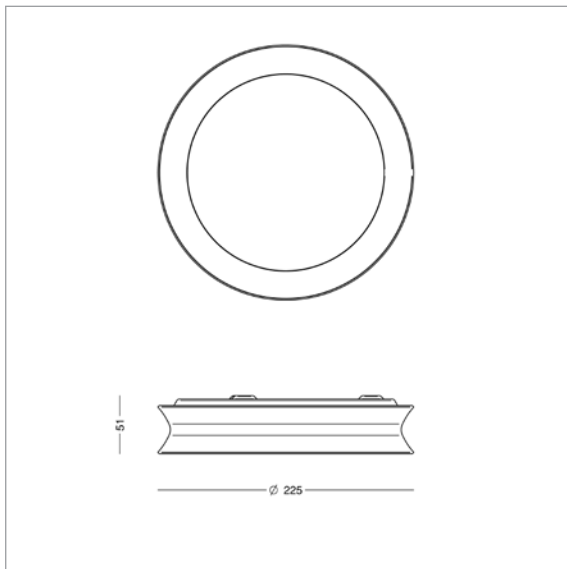
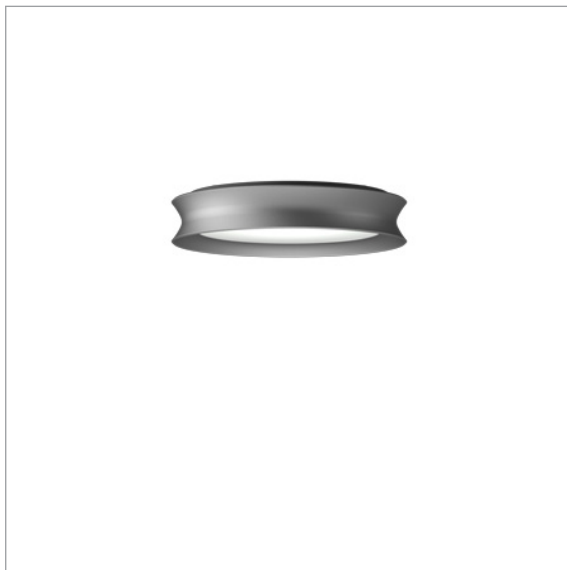
| | |
|---------------------|---|
| LED: | Edge Lit |
| Total consumption: | 16-23 W |
| Operational life: | min 50,000 hours at ta 25°C L80B10 |
| Colour temperature: | 2700, 3000, or 4000 Kelvin |
| Energy eff. class: | 2700 K: F 3000 and 4000 K: E |
| Colour rendering: | min 90 Ra |
| Colour accuracy: | 3 Steps SDCM |
| Driver: | 500-700 mA, option for dimmable driver |
| Alternatively: | Available with driver and radar for wireless control (bluetooth) |
| Operational life: | 100,000 hours |

Product codes:

| YOYO 350 - surface mount | | Select colour, colour temperature, etc. in the table below. | | | |
|--------------------------|---|---|----------------------|----------------------|--------------------|
| Item No. | Lamp type | | | | |
| 2911- | 16 W LED, 500 mA | | | | |
| 2910- | 23 W LED, 700 mA | | | | |
| 2913- | 16 W LED, 500 mA, with uplight | | | | |
| 2914- | 23 W LED, 700 mA, with uplight | | | | |
| Combine with: | Colour | Shade | Colour temperature | | Dimming/Control |
| | 0 raw aluminium | empty | PMMA opalised | 927 2700 K, 90 Ra | empty no dimming |
| | 1 white RAL 9010 | M | PMMA micro prismatic | 930 3000 K, 90 Ra | D Dali-2 |
| | 3 black RAL 9005 | | | 940 4000 K, 90 Ra | R bluetooth sensor |
| | 19 alu-grey RAL 9006 | | | 9WD* TW, Dali, 90 Ra | |
| | 102 yellow RAL 1032 | | | *) longer lead times | |
| | 103 orange RAL 2003 | | | | |
| | 104 blue-green RAL 6004 | | | | |
| | 105 squirrel grey RAL 7000 | | | | |
| Example Item No.: | 2910-1M930 = Yoyo 350, 23 W, white, micro prismatic shade, 3000 K 90 Ra, no dimming | | | | |

Yoyo 225 - surface mounting

Design: C.F. Møller Architects



Luminaire specification:

| | |
|-----------------|---|
| Material: | Cast aluminium |
| Finish: | Raw aluminium white RAL9010, black RAL9005, alu-grey RAL9006, yellow RAL1032, orange RAL2003, blue-green RAL6004, squirrel grey RAL7000 |
| Shade: | Acrylate (PMMA), opalised or micro prismatic |
| Mounting: | On ceiling or wall |
| Connection: | max 2 cables, 5x1.5 mm ² into 5-pole terminal block 2x2.5 mm ² |
| Classification: | IP20, class I |
| Weight: | 1.2 kg |
| Lamp type: | LED, exchangeable |

LED and driver specification:

| | |
|---------------------|---|
| LED: | Edge Lit |
| Total consumption: | 7, 10, or 14 W |
| Operational life: | min 50,000 hours at ta 25°C L80B10 |
| Colour temperature: | 2700, 3000, or 4000 Kelvin |
| Energy eff. class: | 2700 K: F 3000 and 4000 K: E |
| Colour rendering: | min 90 Ra |
| Colour accuracy: | 3 Steps SDCM |
| Driver: | 350-700 mA, option for dimmable driver |
| Operational life: | 50,000 hours |

Product codes:

| YOYO 225 - surface mount | | | | | | | | |
|--------------------------|---|-------|---|-----|---------------|-----------------|------------|--|
| Item No. | Lamp type | | Select colour, colour temperature, etc. in the table below. | | | | | |
| 2922- | 7 W LED, 350 mA | | | | | | | |
| 2919- | 10 W LED, 500 mA | | | | | | | |
| 2918- | 14 W LED, 700 mA | | | | | | | |
| 2923- | 7 W LED, 350 mA, with uplight | | | | | | | |
| 2921- | 10 W LED, 500 mA, with uplight | | | | | | | |
| 2920- | 14 W LED, 700 mA, with uplight | | | | | | | |
| Combine with: | Colour | Shade | Colour temperature | | | Dimming/Control | | |
| | 0 raw aluminium | empty | PMMA opalised | 927 | 2700 K, 90 Ra | empty | no dimming | |
| | 1 white RAL 9010 | M | PMMA micro prismatic | 930 | 3000 K, 90 Ra | D | Dali-2 | |
| | 3 black RAL 9005 | | | 940 | 4000 K, 90 Ra | | | |
| | 19 alu-grey RAL 9006 | | | | | | | |
| | 102 yellow RAL 1032 | | | | | | | |
| | 103 orange RAL 2003 | | | | | | | |
| | 104 blue-green RAL 6004 | | | | | | | |
| | 105 squirrel grey RAL 7000 | | | | | | | |
| Example Item No.: | 2919-3M927 = Yoyo 225, 10 W, black, micro prismatic shade, 2700 K 90 Ra, no dimming | | | | | | | |

Find our sales partner in your country under Contacts at www.focus-lighting.dk