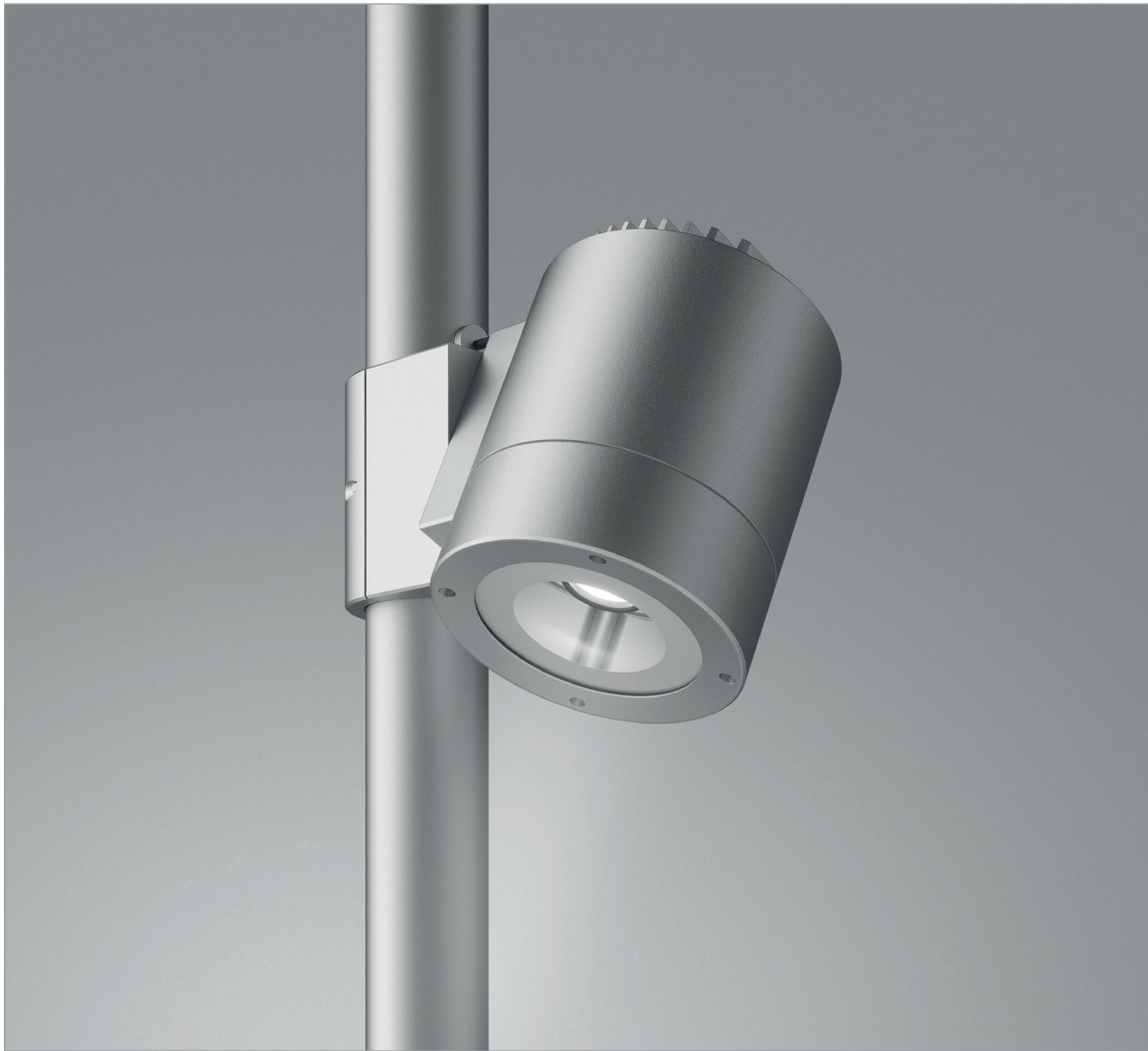


Turn Gobo

Design: FRIIS & MOLTKE Design



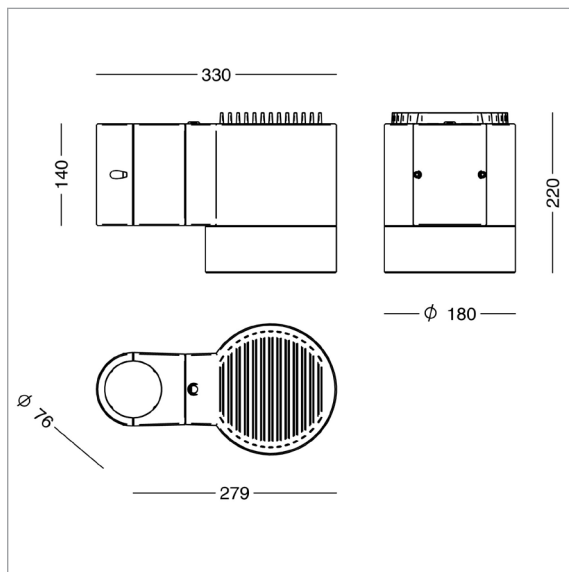
Product codes

Turn Gobo						
Item No.	Lamp type and lens					
8846-	40 W LED, 85 mm standard lens					
8848-	40 W LED, 63 mm wide lens					
To combine with:	Colour	Control		Protection class		Mounting
	01 raw anodized	D	DALI-2	empty	class II	empty brackets for cylindrical post
	4 graphite grey			J	class I	B90 brackets for conical post, Ø60-90 mm
	9 silver grey					B121 brackets for conical post, Ø91-121 mm
	17 corten brown	Corrosion protection				
	66 black noir 900	C5	C5 coating			
In case of extra corrosion protection, add C5 to the colour code; ex: 8846-9C5						
Gobo glass and colour filters - click for details						
8846-008	Gobo glass, black & white, 50 mm, image max 40 mm					
8846-0081	Gobo glass, black + 1 colour or colour temperature correction (3000 or 4000 K), 50 mm, image max 40 mm					
8846-0082	Gobo glass, 1 colour filter, 50 mm, image max 40 mm					
8846-0083	Gobo glass, 2 colour filters, 50 mm, image max 40 mm					
8846-0084	Gobo glass, 3 colour filters, 50 mm, image max 40 mm					
8846-0085	Gobo glass, multicolour 4c filters, 50 mm, image max 40 mm					
8846-0086	Gobo glass, greyscale, 50 mm, image max 40 mm					
Other accessories						
1714-1	Adapter for Ø60 post					

Find our sales partner in your country under Contacts at www.focus-lighting.dk

Turn Gobo - 85 mm

Design: FRIIS & MOLTKE Design



Luminaire specification:

Material:	Cast aluminium
Coating:	Raw anodized Graphite grey: YW355F Silver grey: Y2370I Corten brown: YX355F Black: Noir 900 Sablé, SN351F
Shade:	Clear glass with silk coating at the edge
Mounting:	76 mm post, adapter for 60 mm post optional
Lead:	8.5 m lead, 2 x 1 mm ² , is included
Connection:	In the post
Classification:	IP66, class II
Impact resistance:	IK08
Corrosion class:	C4, C5 optional
Wind sweeping area:	0.053 m ²
Weight:	6.8 kg
Cooling:	Active cooling, 25 dBA

LED and Gobo specification:

LED:	40 W
Operational life:	min 25,000 hours at ta max 25°C, L70
Colour temperature:	6300-6700 Kelvin Colour correction filters for 3000 and 4000 K available upon request

Distance to projection: 3-8 m

Lens: 85 mm standard

With 85 mm lens:

Distance to wall/ground/etc	4 m	6 m	8 m
Projection diameter	1.8 m	2.7 m	3.7 m

Focus Lighting supplies Gobo graphics according to your specifications - [click here for details and inspiration](#)

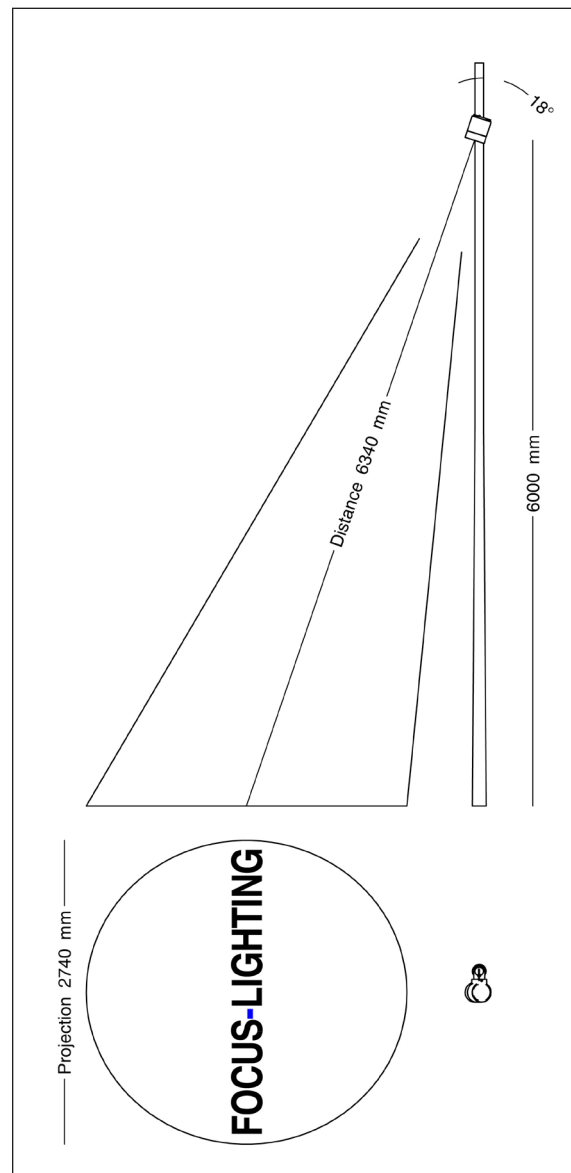
Position and adjustment of gobos:

Focus Lighting will position the gobo in the luminaire as shown to the right. If the gobo graphics are subject to orientation, they will meet the eye from the right side of the luminaire.

For adjustment and change of gobo, see Adjustment instructions.

Diameter Gobo glass: 50 mm

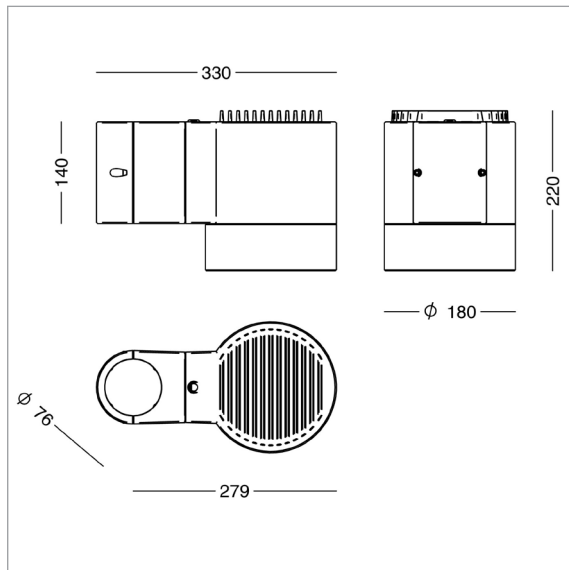
Max diameter image: 40 mm



FOCUS-LIGHTING

Turn Gobo - 63 mm

Design: FRIIS & MOLTKE Design



Luminaire specification:

Material: Cast aluminium
 Coating: Raw anodized
 Graphite grey: YW355F
 Silver grey: Y2370I
 Corten brown: YX355F
 Black: Noir 900 Sablé, SN351F
 Shade: Clear glass with silk coating at the edge
 Mounting: 76 mm post, adapter for 60 mm post optional
 Lead: 8.5 m lead, 2 x 1 mm², is included
 Connection: In the post
 Classification: IP66, class II
 Impact resistance: IK08
 Corrosion class: C4, C5 optional
 Wind sweeping area: 0.053 m²
 Weight: 6.8 kg
 Cooling: Active cooling, 25 dBA

LED and Gobo specification:

LED: 40 W
 Operational life: min 25,000 hours at ta max 25°C, L70
 Colour temperature: 6300-6700 Kelvin
 Colour correction filters for 3000 and 4000 K available upon request

Distance to projection: 3-8 m
 Lens: 63 mm wide

With 63 mm lens:

Distance to wall/ground/etc	4 m	6 m	8 m
Projection diameter	2.5 m	3.7 m	5.1 m

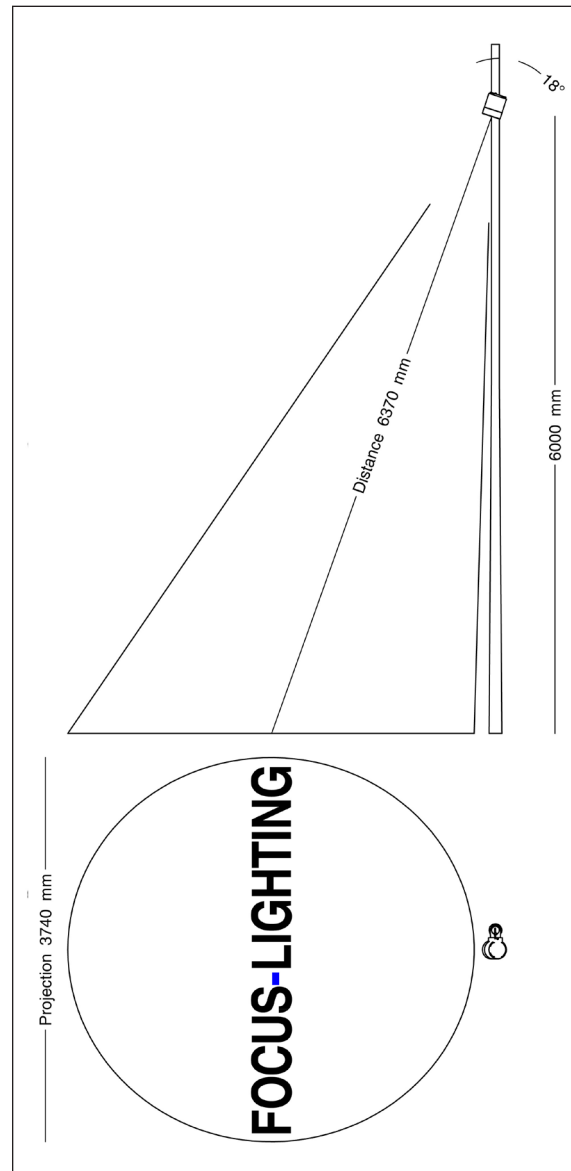
Focus Lighting supplies Gobo graphics according to your specifications - [click here for details and inspiration](#)

Position and adjustment of gobos:

Focus Lighting will position the gobo in the luminaire as shown to the right. If the gobo graphics are subject to orientation, they will meet the eye from the right side of the luminaire.

For adjustment and change of gobo, see Adjustment instructions.

Diameter Gobo glass: 50 mm
 Max diameter image: 40 mm



FOCUS-LIGHTING

Turn Spot & Turn Gobo

Design: FRIIS & MOLTKE Design



Combine **Turn Gobo** and **Turn Spot** for a flexible installation in Friis & Moltke's minimalistic design.

Find our sales partner in your country under Contacts at www.focus-lighting.dk

FOCUS-LIGHTING