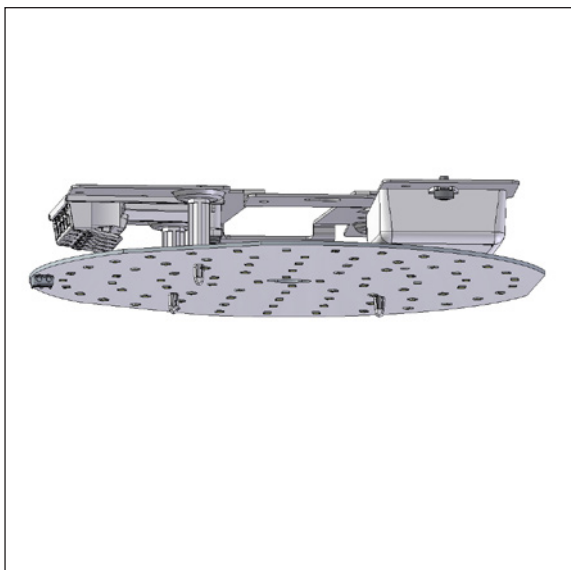


Stoa - LED module



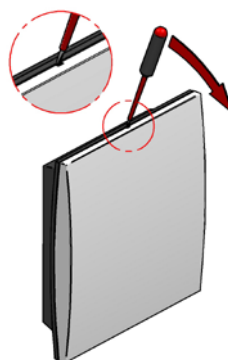
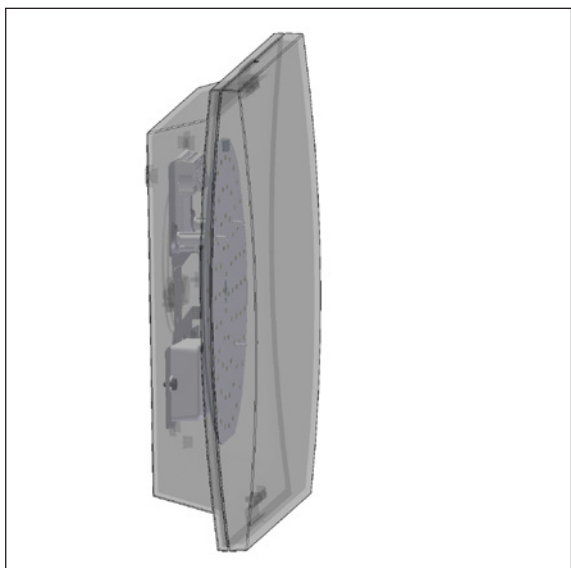
Complete LED module incl. mounting brackets and reflector for easy and energy efficient update of existing Stoa luminaires.

LED and driver specs:

LED: 213 mm board
 Total consumption: 10 or 14 W
 Operational life: min 50,000 hours at ta 25°C
 Colour temperature: 2700, 3000, or 4000 Kelvin
 Energy eff. class: 2700 K: E - 3000, 4000 K: D
 Colour rendering: min 90 Ra
 Driver: 20 W LED, dimming optional
 Operational life: min 50,000 hours

Exchange of lamp module:

Remove the screen from the housing as show or without using tools by pressing at the screen at the point marked.
 Remove the plate holding all components and replace by the new module.



We include a blank lable in the consignment. Write the old item number on the lable and attach it inside the luminaire.

Variants:

| LED module for Stoa | | | | | | | | | |
|---|--|---------------|--|--------|--|--|--|--|--|
| Item No. | Lamp type | | Select colour temperature, dimming, etc. in the table below. | | | | | | |
| 1909- | 10 W 350 mA | | | | | | | | |
| 1910- | 14 W 500 mA | | | | | | | | |
| | | | | | | | | | |
| Combine with: | Colour temperature | | Dimming | | | | | | |
| | 927 | 2700 K, 90 Ra | V | 1-10 V | | | | | |
| | 930 | 3000 K, 90 Ra | D | Dali | | | | | |
| | 940 | 4000 K, 90 Ra | | | | | | | |
| Example: | 1909-930D = 10 W LED module, 3000 K, 90 Ra, Dali | | | | | | | | |
| The above LED modules fit the following variants (X stands for colour code): | | | | | | | | | |
| 4232X, 4832X, 6232X, 6832X | | | | | | | | | |
| 6830, 6831 | | | | | | | | | |