

Pelée recessed

Design: Cubo Architects



The Pelée family consists of recessed, surface and wall mounted, suspended, and downlight luminaires.

The inner conical steps, characteristic for all Pelée luminaires, contribute to a comfortable, non-glaring spread of light.

Dimensions, recessed:

Diameter: 250 and 385 mm

Outer height: 30 mm

Built-in height: 85 mm

Powder coating:

White RAL 9010 Textura

Black Noir 900 Sablé

Alu-grey RAL 9006 Textura

Corten brown YX355F

Lamp type:

LED, exchangeable

Pelée 385 recessed

Design: Cubo Architects



Luminaire

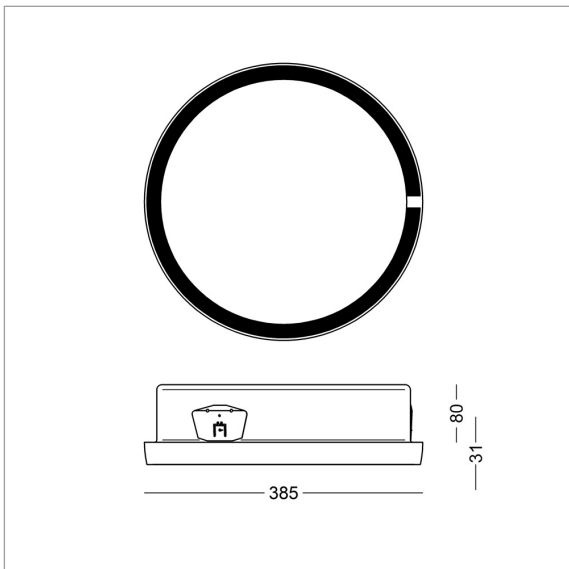
Material: cast aluminium, powder coated
 white RAL 9010 Textura
 black Noir 900 Sablé SN351F
 alu-grey RAL 9006 Textura
 corten brown YX355F
 or sandblasted

Shade: opalised or microprismatic acrylic to be recessed

Mounting:
 Plate thickness: 10-40 mm
 Cut-out: Ø355-360 mm
 Clearances recommended horizontally: 50 mm
 Built-in height: 100 mm from lower ceiling edge, allowing cabling

Connection: max 2 cables, 5x1.5 mm² into 5-pole terminal block, 2x2.5 mm²

Classification: IP20, class I
Weight: 2.5 kg
Lamp type: LED, exchangeable



LED Data

LED: 324 mm board

Total consumption: 17, 23, or 33 W

Service life: min 50,000 hours at ta 25°C
 L80B10

Colour temperature: 2700, 3000, or 4000 Kelvin
 alt. 2700-6500 K tunable

Energy classes: 2700 K: E
 3000, 4000, 6500 K: D

Colour rendering: min 90 Ra
Colour accuracy: 3 steps SDCM

Driver 17-23 W: 500-700 mA, dimming optional
Driver 33 W: 1050 mA, incl Dali

Product codes

PELÉE Ø385							
Item Nos.	Lamp type	Select colour, colour temperature etc. in the table below.					
2840-	17 W LED, 500 mA						
2841-	23 W LED, 700 mA						
2843-	33 W LED, 1050 mA, incl. Dali						
Combine with:	Colour	Shade		Colour temperature		Dimming	
	1 white	empty	opalised	927	2700 K, 90 Ra	empty	no dimming
	3 sandblasted	M	microprismatic	930	3000 K, 90 Ra	D	Dali
	9 alu-grey			940	4000 K, 90 Ra	V	1-10 V
	17 corten brown			9WD	TW, Dali, 90 Ra		
	66 noir 900						
Example item No.:	2841-1930D = Pelée 385, 23 W, white, 3000 K 90 Ra, Dali						
Accessories							
2834-20	Mounting plate for soft ceilings - click to see video						

Pelée 250 recessed

Design: Cubo Architects



Luminaire

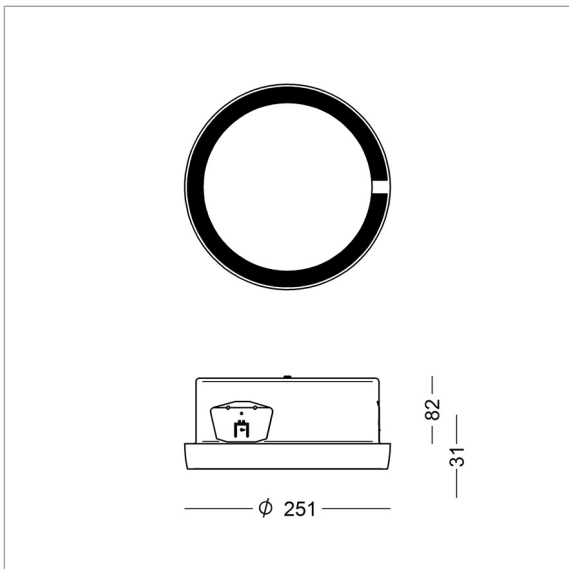
Material: cast aluminium, powder coated
 white RAL 9010 Textura
 black Noir 900 Sablé SN351F
 alu-grey RAL 9006 Textura
 corten brown YX355F
 or sandblasted

Shade: opalised or microprismatic acrylic
 to be recessed

Mounting:
Plate thickness: 10-40 mm
Cut-out: Ø229-234 mm
Clearances recommended horizontally: 50 mm
Built-in height: 100 mm from lower ceiling edge,
 allowing cabling

Connection: max 2 cables, 5x1.5 mm² into
 5-pole terminal block, 2x2.5 mm²

Classification: IP20, class I
Weight: 2.2 kg
Lamp type: LED, exchangeable



LED Data

LED: 213 mm board

Total consumption: 11 or 15 W

Driver: 350-500 mA

Service life: min 50,000 hours at ta 25°C
 L80B10

Colour temperature: 2700, 3000, or 4000 Kelvin
 alt. 2700-6500 K tunable

Energy classes: 2700 K: E
 3000, 4000, 6500 K: D

Colour rendering: min 90 Ra
Colour accuracy: 3 steps SDCM

Product codes

PELÉE Ø250							
Item Nos.	Lamp type		Select colour, colour temperature etc. in the table below.				
2837-	11 W LED, 350 mA						
2838-	15 W LED, 500 mA						
Combine with:	Colour	Shade		Colour temperature		Dimming	
	1 white	empty	opalised	927	2700 K, 90 Ra	empty	no dimming
	3 sandblasted	M	microprismatic	930	3000 K, 90 Ra	D	Dali
	9 alu-grey			940	4000 K, 90 Ra	V	1-10 V
	17 corten brown			9WD	TW, Dali, 90 Ra		
	66 noir 900						
Example item No.:	2838-99WD = Pelée 385, 15 W, alu-grey, tunable white, 90 Ra, Dali						
Accessories							
2832-20	Mounting plate for soft ceilings - click to see video						