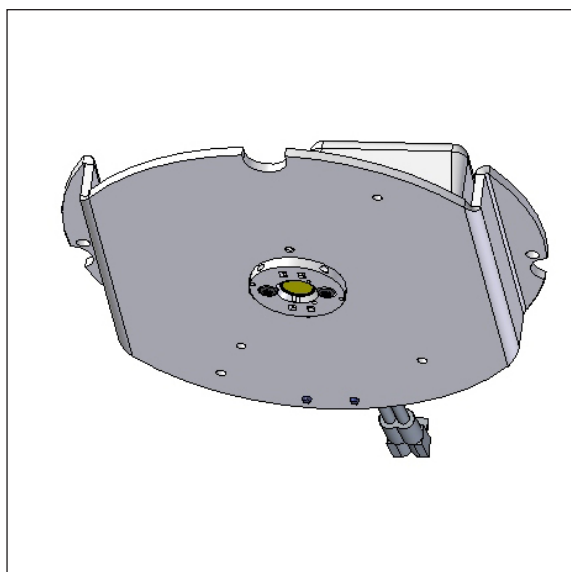


Nyx 190 - LED module, Vero 10



Complete LED module for easy and efficient refurbishment of existing Nyx 190 wall luminaires.

LED and driver specification:

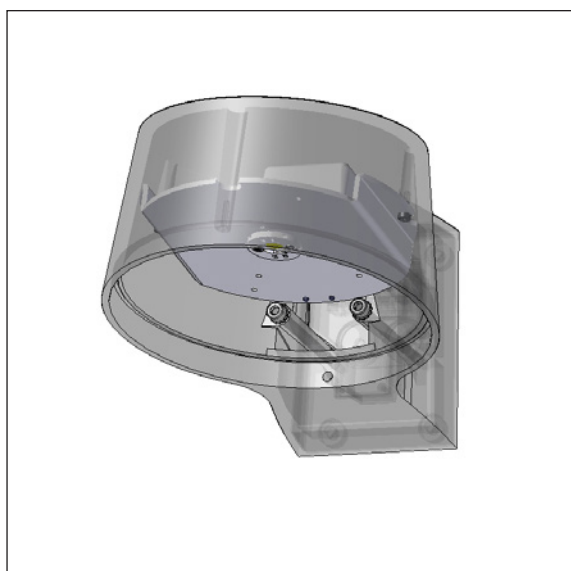
LED type: Bridgelux Vero 10
 Energy consumption: 8, 12, or 16 W
 Operational life: min 100,000 hours at ta max 25°C, L90B10
 Colour temperature: 2700, 3000, or 4000 Kelvin
 Energy eff class: F
 Colour rendering: min 90 Ra
 Colour accuracy: 3 Steps SDCM
 Output rate: 57%

Driver: LED driver, dimming or programming optional
 Operational life: min 100,000 hours

Exchange of lamp module:

Demount the plate holding the old lamp and replace it by the LED module, using the same two screws. For old versions, mount the enclosed connector in the wall box prior to replacing the LED module.

We include a blank lable in the consignment. Write the old item number on the lable and attach it inside the luminaire.



Variants:

LED module for Nyx 190									
Item No.	Lamp type	Select colour temperature and other options in the table below.							
1974-	8 W Bridgelux Vero 10, 250 mA								
1917-	12 W Bridgelux Vero 10, 350 mA								
1918-	16 W Bridgelux Vero 10, 500 mA								
Combine with:	Colour temperature		Dimming		Classification				
	927	2700 K, 90 Ra	V	1-10 V	empty	class I			
	930	3000 K, 90 Ra	D	Dali	K	class II			
	940	4000 K, 90 Ra	E	programmable					
Example:	1917-930D = 12 W LED module, 3000 K, 90 Ra, Dali								
The above LED modules fit the following variants (X stands for colour code):									
	6022X, 6222X, 6522X, 6822X								
	6022, 6222, 6522, 6840, 6843, 6844								