

Tema Bollard

Design: Torben Rix, Leif Jensen, Ole Bruhn



The Tema bollard is characterised by rustic simplicity in design and material. The galvanised version will withstand almost any treatment and requires no maintenance. It is shining when new but will quickly gain patina and become darker and matt.



FOCUS-LIGHTING

Tema Bollard 1000 - LED

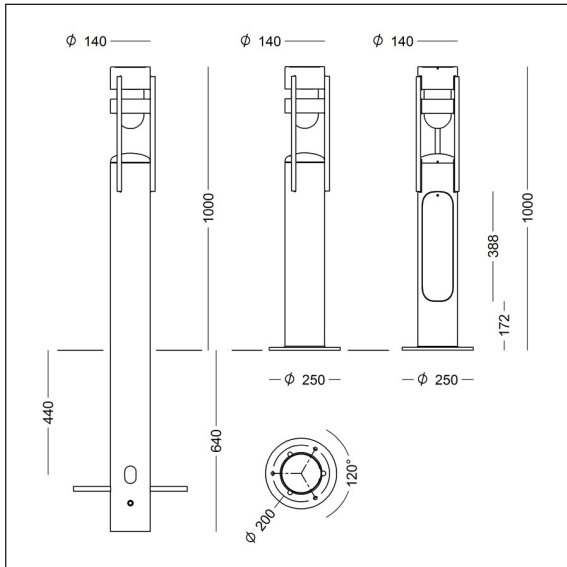
Design: Torben Rix, Leif Jensen, Ole Bruhn



Luminaire specification:

Material: Galvanised steel
 Screen: Polycarbonate, clear, with anti-glare
 Mounting: Rooted or flanged base
 Connection: 2 x 6 mm² cable
 Terminal block: 5 x 25 mm²
 Classification: IP54, class I, without door
 Class II upon request
 Impact resistance: IK10
 Weight: 26 kg
 Lamp type: LED, exchangeable

Class II: Non-standard - Please take contact!
 Fuse module: for 1 or 2 Neozed fuses up to 16 A
 Connection: 2 cables, 4 x 16 mm²
 Classification: IP44



LED and driver specification:

LED type: Bridgelux Vero 10
 Total consumption: 12 or 16 W (350 or 500 mA)
 Service life: min 100,000 hours at ta max 25°C, L90B10
 Colour temperature: 2700, 3000, or 4000 Kelvin
 Energy eff. class: F
 Colour rendering: min 90 Ra
 Colour accuracy: 3 Steps SDCM
 Output ratio: 74 per cent

Driver: Helvar LED driver
 Dimmable upon request
 Service life: min 50,000 hours

Product codes:

Tema Bollard 1000, LED					
Item No.	Mounting	Lamp type, Bridgelux VERO 10			
7887-	rooted base	12 W, 350 mA			
7872-	flanged base	12 W, 350 mA			
7888-	rooted base	16 W, 500 mA			
7873-	flanged base	16 W, 500 mA			
Select colour, colour temperature and dimming in the table below.					
Combine with:	Colour	Colour temperature		Dimming	
	9 galvanised	927	2700 K, 90 Ra	V	1-10 V
		930	3000 K, 90 Ra	D	Dali
		940	4000 K, 90 Ra		
Example order code:	7887-9930 = Tema Bollard 1000, rooted base, galvanised, 12 W LED, 3000 K 90 Ra				

Tema Bollard 1000 - E27

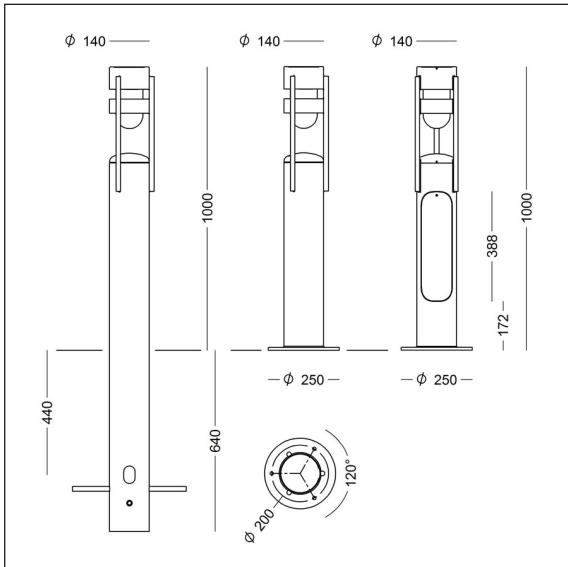
Design: Torben Rix, Leif Jensen, Ole Bruhn



Luminaire specification:

Material: Galvanised steel
 Screen: Polycarbonate, clear, with anti-glare
 Mounting: Rooted or flanged base
 Connection: 2 x 6 mm² cable
 Terminal block: 5 x 25 mm²
 Classification: IP54, class I, without door
 Class II upon request - see below
 Impact resistance: IK10
 Weight: 26 kg

Class II: Non-standard - Please take contact!
 Fuse module: for 1 or 2 Neozed fuses up to 16 A
 Connection: 2 cables, 4 x 16 mm²
 Classification: IP44



Lamp types:

E27: max 57 W, max length 140 mm,
 max diameter 56 mm

Product codes:

Tema Bollard 1000, E27 and CFL		
Item No.	Mounting	Lamp type
7061-	rooted base	E27, max 57 W
7064-	flanged base	E27, max 57 W
Select colour and dimming in the table below.		
Combine with:	Colour	
	9 galvanised	
Example order code:	7061-9 = Tema Bollard 1000, galvanised, E27	