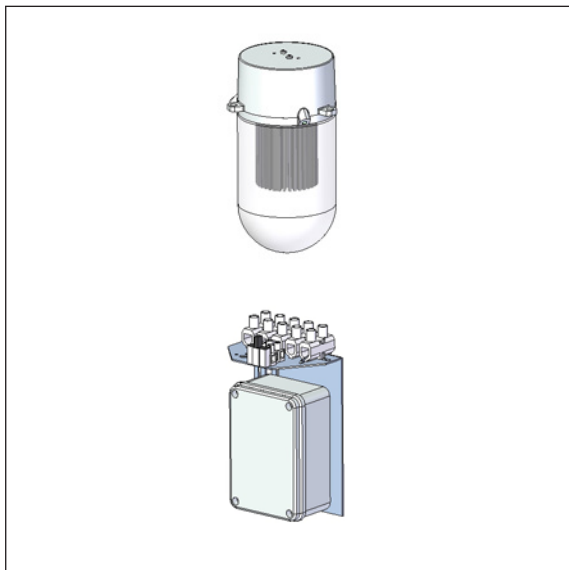


Tema Bollard 1000 - LED module



Complete LED module for easy and efficient refurbishment of existing Tema bollards 1000 (Pullerten Lille) without door. In case of models earlier than 1996, extra brackets are required. See the compatible items below.

LED and driver specs:

LED type: Bridgelux Vero 10
 Energy consumption: 8, 12, or 16 W
 Operational life: min 100,000 hours at ta max 25°C, L90B10
 Colour temperature: 2700, 3000 or 4000 Kelvin
 Energy eff. class: F
 Colour rendering: min 90 Ra
 Colour accuracy: 3 Steps SDCM
 Output ratio: 74%

Driver: LED driver, 20 W, dimming optional
 Operational life: min 50,000 hours



Exchange of light source:

Loosen the side screw for detaching the lid.
 Disconnect mains leads and subsequently lead to the light source.
 Detach old part in the housing by turning a quarter of a round and lift it out.
 Insert new electronics the opposite way and fasten the module.
 Demount the shade by loosening two side screws.
 Remove light source and demount socket housing by three screws.
 Tie a string to the lead that will follow in the tube when the socket house is pulled out. Tie the string to the lead from the new LED module and pull back through the tube.
 Fasten the LED by means of three screws. Connect the lead from the new LED module to electronics in the the lower housing.
 Connect mains and secure that moisture will be led away (swan's neck).
 Remount the lid.

We include a blank lable in the consignment. Write the old item number on the lable and attach it inside the luminaire.

Variants

LED module for the Tema Bollard 1000, class I - without door				
Item No.	Lamp type	Select colour temperature and other options in the table below.		
1975-	8 W Bridgelux Vero 10, 250 mA			
1940-	12 W Bridgelux Vero 10, 350 mA			
1941-	16 W Bridgelux Vero 10, 500 mA			
Combine with:	Colour temperature	Dimming		
	927 2700 K, 90 Ra	V	1-10 V	
	930 3000 K, 90 Ra	D	Dali	
	940 4000 K, 90 Ra			
Example:	1975-930D = 8 W LED module, 3000 K, 90 Ra, Dali, class I			
Extra:				
12-045	Brackets for models prior to 1996			
The above LED modules fit the following variants; X stands for colour code; old E-number in brackets:				
Rooted base:	7061X (49.47.501.927), 7161X (49.47.502.942), 7261X, 7561X, 7661X, 7861X (49.47.502.201), 7881X, 7961X (49.47.502.971), 7061, 7887, 7888			
Flanged base:	7064X (49.47.501.943), 7164X (49.47.502.968), 7264X, 7564X, 7664X, 7864X (49.47.502.269), 7884X, 7964X (49.47.502.997), 7064, 7872, 7873			