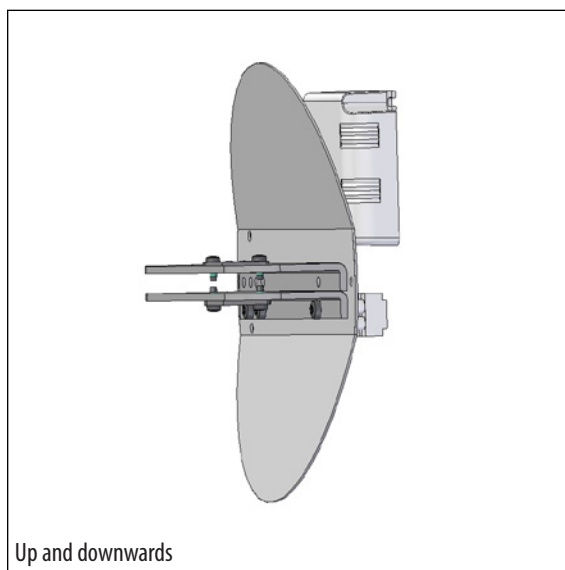
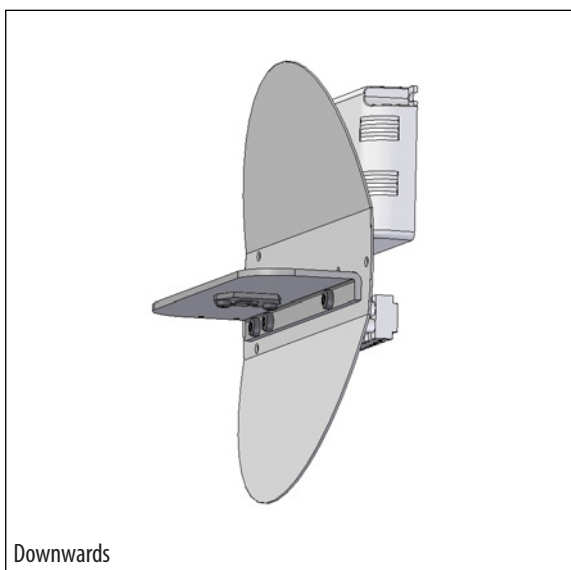


Tema Buen - LED module, V8



Complete LED module for easy and efficient refurbishment of existing **Tema Buen**. Not suitable for models delivered before 1996. See the compatible items below.

LED and driver specs:

LED type: 1 or 2 COBs, Bridgelux V8
 1 pcs: downwards only, 9 or 12 W
 2 pcs: up and downwards, 15 or 21 W

Energy consumption: 350 or 500 mA
 Operational life: min 100,000 hours at ta max 25°C, L90B10
 Colour temperature: 2700, 3000 or 4000 Kelvin
 Energy eff. class: F
 Colour rendering: min 90 Ra
 Colour accuracy: 3 Steps SDCM

Driver: LED driver, dimming or programming optional
 Operational life: min 50,000 hours

Exchange of lamp module:

Remove front part and diffuser from the wall box by loosening the two bolts.
 Remove lamp and reflector (1 screw). Remove ballast/condensator. Insert the new driver into the wall box, connect leads and fasten the new LED module by means of the existing screw.
 If a top shade is available, attach it at the upper part of the wall box. Mount the diffuser and the front part by means of the two bolts.

Detailed mounting instructions are available at focus-lighting.dk.

We include a blank lable in the consignment. Write the old item number on the lable and attach it inside the luminaire.

Variants:

| LED modules for Tema Buen | | | | | | | | | |
|---|---|---------------|---|--------------|----------------|----------|-------------|-----------------|--|
| Item No. | Lamp type | | Select colour temperature and other options in the table below. | | | | | | |
| 1929- | 9 W Bridgelux V8, 350 mA, downwards only | | | | | | | | |
| 1930- | 12 W Bridgelux V8, 500 mA, downwards only | | | | | | | | |
| 1951- | 15 W Bridgelux V8, 350 mA, up and downwards | | | | | | | | |
| 1952- | 21 W Bridgelux V8, 500 mA, up and downwards | | | | | | | | |
| Combine with: | Colour temperature | | Dimming | | Classification | | Upper shade | | |
| | 927 | 2700 K, 90 Ra | V | 1-10 V | empty | class I | H | covered upwards | |
| | 930 | 3000 K, 90 Ra | D | Dali | K | class II | | | |
| | 940 | 4000 K, 90 Ra | E | programmable | | | | | |
| Example: | 1929-930D = 9 W LED module, 3000 K, 90 Ra, Dali | | | | | | | | |
| The above LED modules fit the following variants; X stands for colour code; old E-number in brackets: | | | | | | | | | |
| | 6071X (49.43.344.900), 6073X, 6076X, 6077X, 6171X, 6172X (49.43.346.911), 6173X (49.43.347.907), 6176X, 6177X, 6271X, 6272X, 6274X, 6278X, 6870, 6871, 6873, 6875, 6876 | | | | | | | | |