

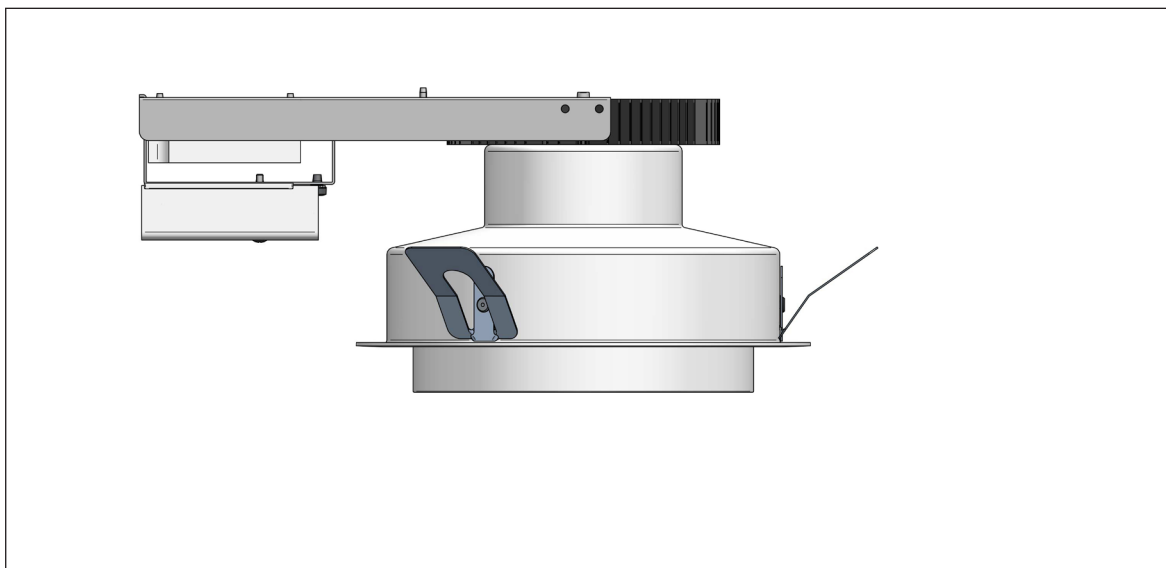
Punkt Lamp 200

Design: focus lighting



The design of the **Punkt Lamp** is dominated by the inner shade in mouth-blown glass, spreading the light in a pleasant and beautiful way.

The new LED versions of the Focus Punkt Lamps combine diffuse light and spot light. Thus they meet the requirements of the European standard for general lighting in indoor work places. The LED is hidden behind a diffuser, and no inside components are visible. Furthermore, the diffuser contributes to an even illumination of the glass shade, and the visual appearance of the Punkt Lamp with LED fully matches that of the conventional incandescent lamps.



Size:

200 mm diameter
Other Punkt lamps: 65, 90, 110, and 150 mm

Finish:

White or grey metallic with shade in opal-white glass

Light sources for Punkt 200:

The 200 mm Punkt lamp is available with Bridgelux Vero18 LED. Vero18 offers market-leading efficacy, reliable operation and fine light quality.

Mounting:

All Punkt lamps are approved for recession in various types of ceilings. With a special waterproof cover, they can be used in bath rooms and outdoors in roofs and carports.

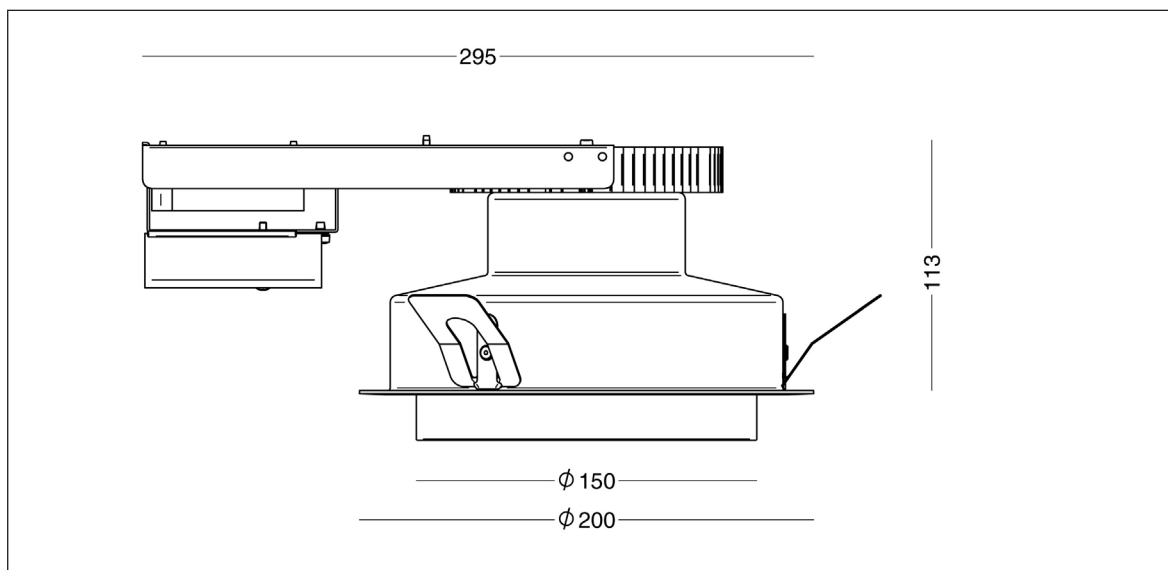
Punkt Lamp 200:

17 W - Can be recessed into isolated ceilings.

24 W - Un-isolated ceilings only. 

Punkt Lamp 200 - LED

Design: focus lighting



Luminaire specification:

Material:	Aluminium
Shade:	Opal-white glass cylinder
Mounting:	To be recessed (with 24 W in unisolated ceiling only)
Cut-out:	Ø178-180 mm in 6-15 mm plates Ø182-184 mm in 15-35 mm plates
Clearances:	Horizontally: min 67 mm
Height:	min 113 mm from lower edge of ceiling
Connection:	230 V, box with 5-pole terminal block
Classification:	IP20, class I
Weight:	1.2 kg

Options: 3 mm glass shade - specification below
Ring for soft ceilings

Lamp and driver specification:

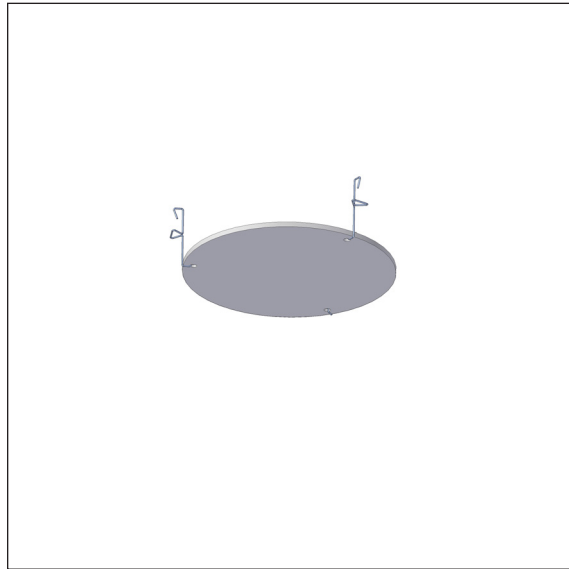
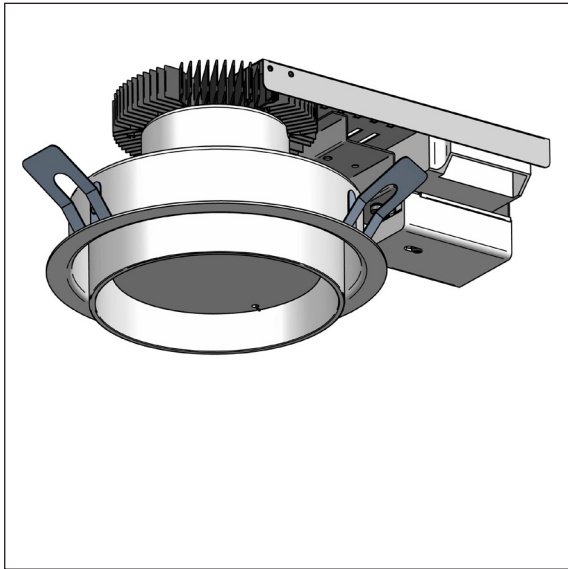
LED type:	Bridgelux Vero18
Total consumption:	24 W (700 mA), alt. 17 W (500 mA)
Operational life:	min 100,000 hours at t_a max 25°C, L90B10
Colour temperature:	2700, 3000, or 4000° Kelvin
Energy eff. class:	F
Colour rendering:	min 90 Ra
Colour accuracy:	3 steps SDCM
Driver:	Helvar LED driver, 350-700 mA Option for dimmable driver
Operational life:	min 50,000 hours

Product codes

Punkt lamp 200 LED					
Item No.	Lamp type		Select colour, colour temperature, etc in the table below.		
2894-	17 W Vero18, 500 mA				
2897-	24 W Vero18, 700 mA				
To be combined with:	Colour	Colour temperature		Dimmable driver	
	2 white w. glass	927	2700 K, 90 Ra	empty	no dimming
	9 grey metallic w. glass	930	3000 K, 90 Ra	V	1-10 V
		940	4000 K, 90 Ra	D	Dali
	Example: 2897-2927V = Punkt lamp Ø200, 24 W LED, 2700 K, white w. glass, dimmable 1-10 V				
Options					
20202	3 mm glass shade				
2040-20	Ring for soft ceilings				

Punkt Lamp 200 - glass shade

Design: focus lighting



Product specification:

Material:	Sandblasted glass
Assembly:	The glass shade is attached to the inner cylinder. For replacement of lamp, cylinder and shade are dismantled in one piece.
Dimensions:	Ø 120 mm, H 3 mm
Light diffusion:	85 per cent