

Way Park

Design: AART Designers



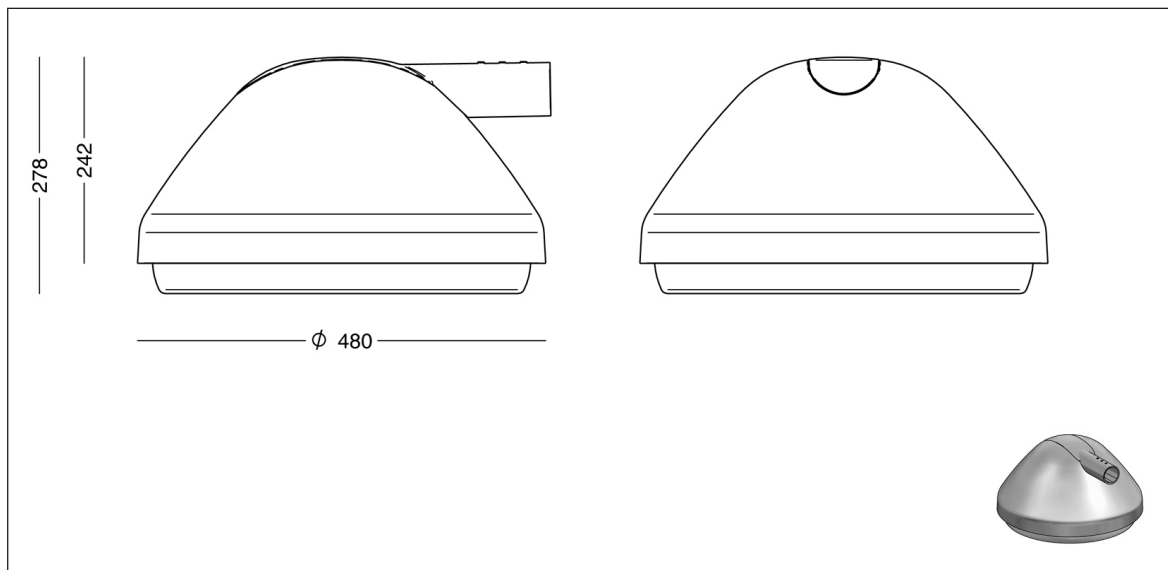
WAY is new in our range of exterior luminaires and is designed the Nordic way to avoid light pollution and discomfort glare.

The luminaire is available for top or side entry. It is made in cast aluminium with shade in clear, impact resistant PMMA (acrylate). The shade is parallel to the ground but has a protuberant, frosted edge, which will enhance optical guidance. Due to the unique design of the shade, discomfort glare is minimized.

WAY is available as park luminaire with round board without lenses. In this case an inlay diffuser screen ensures soft and homogeneous light.

Way Park - circular LED

Design: AART Designers



Luminaire specification:

Material:	Cast aluminium
Finish:	Raw anodized Graphite grey: YW355F Silver grey: Y2370I Corten brown: YX355F Black: Noir 900 Sablé, SN351F
Shade:	Clear, impact-resistant PMMA, coated on the edge, with diffuser
Mounting:	Side entry: Ø 48 or Ø 60 mm
Connection:	In the pole The luminaire is delivered with lead: 10.5 m 2 x 1 mm ²
Classification:	IP66, class II, class I optional
Impact resistance:	IK08
Corrosion class:	C4, C5 optional
Weight:	max 11 kg
Wind sweeping area:	0.11 m ² (laterally)

LED specification:

LED type:	Circular Ø240 mm, 64 diodes, without lenses
Operational life:	min. 100,000 hours at ta max 25°, L80B10 Constant lumen output
Temperature range:	-30 to +35° C
Colour temperature:	3000 or 4000 Kelvin
Colour rendering:	min 80 Ra
Colour accuracy:	4 steps SDCM
Luminous flux:	The luminous flux range quoted below is from the LED light source. Apply output ratio in order to calculate luminous flux out of the luminaire.
LED-lumen, 80 Ra:	3000K: 850-6700 lm, energy eff class E 4000K: 900-7150 lm, energy eff class E
Output ratio:	78 per cent

Driver specification:

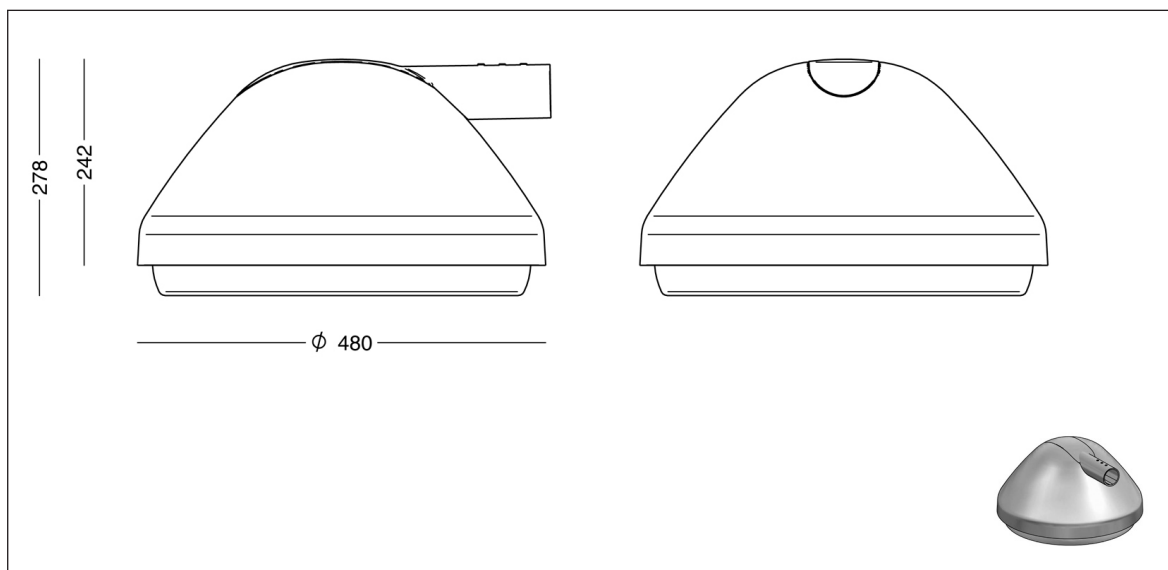
Driver:	Xitanium Full Xi FP 75 W 0.2-0.7 A, program.
Inrush current:	max 46 A (50% after 250 µs)

Operational input voltage:	80-264 Vac
Nominal voltage, AC:	220-240 Vac
Nominal voltage, DC:	186-250 Vdc
Operational input voltage:	168-275 Vdc
Nominal input frequency:	50-60 Hz
Operational input frequency:	45-66 Hz
Max preprotection:	16 A
Surge protection:	L/N-GND: 10 kV, (SR driver: 8 kV) L-N: 6 kV
Operational life:	min 100,000 hours

Dimming/control:	5 steps dimming within the lumen intervals, Alternatively: DALI-2 (4/5-conductor cable), LineSwitch, or via Zhaga Book 18 socket
------------------	---

Way Park - product codes

Design: AART Designers



Product Codes:

WAY side entry Ø48 mm, circular board								
Item No.	Lamp type		Select colour, colour temperature, etc. in the table below.					
9808-	LED Ø240, Low lumen, programmable, 10.5 m lead							
WAY side entry Ø60 mm, circular board								
Item No.	Lamp type		Select colour, colour temperature, etc. in the table below.					
9908-	LED Ø240, Low lumen, programmable, 10.5 m lead							
Combine with	Colour		Colour temperature		Dimming/control		Protection class	
	01	raw anodized	830	3000 K, 80 Ra	empty	programmable *)	empty	class II
	4	graphite grey	840	4000 K, 80 Ra	D	DALI-2	J	class I
	9	silver grey			F	LineSwitch		
	17	corten brown			R	socket incl. SR driver, Zhaga book 18, upwards		
	66	black noir 900			RC	socket as above, City Touch		
					S	socket incl. SR driver, Zhaga book 18, downwards		
	Corrosion protection							
	C5	C5 coating	In the case of extra corrosion protection, add C5 to the colour code; example: 9808-4C5830					
Example:	9808-66830J = WAY Park Ø48, circular LED, noir 900, 3000 K 80 Ra, 10.5 m lead, cl. I							
*) programmable	When ordering, please state luminous flux as the required LED-lumen + dimming level + dimming period							
Example, profile:	6000 lm 50% 22-06 (fifty per cent dimming from 10 pm to 6 am)							