

Space

Design: AART Designers



The design of Space is timeless and appealingly friendly, meeting the criteria to be well suited for both modern and old architecture – and for public and private spaces.

The non-directional luminaire can be seen from any direction with the same unique pleasant design expression. Due to the wide proportions, Space looks elegant on low and high poles.

The sheer size of the luminaire has made it possible to design and engineer an innovative solution applying direct, indirect and reflected lighting. The direct light is combined with reflected light from the inner top reflector and slightly diffused light from the circular diffuser, which elegantly follows and underlines the circular shape of the luminaire. All done to achieve comfortable human lighting in a fine balance with highly efficient and uniform lighting distributions - both with symmetrical and asymmetrical light.

The main applications are pedestrian areas like pathways, city squares, parks, playgrounds, university and company campuses, parking areas, bicycle roads and many other public and private areas.



FOCUS-LIGHTING

Space - asymmetrical

Design: AART Designers



Composed by circular units and rings, Space is unique in regard to anti-glare and lighting distribution.

In the asymmetrical lighting distribution the innovative design makes it possible to obtain excellent distribution with high uniformity without changing the visual impression. Space is harmonious and fully enlightened even with asymmetrical lighting distribution.

The result of asymmetrical distribution is up to 28% energy savings and 24% longer pole distance in comparison with symmetrical lighting distribution.

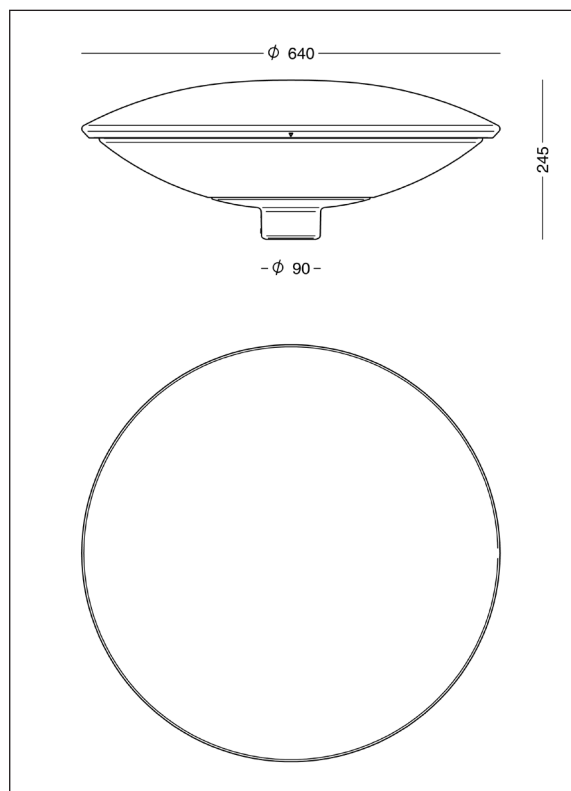
Two types of asymmetry:

The type IV asymmetry is the right solution in most applications. In case of specific requirements to pole distance and uniformity, type II asymmetry could be advantageous.



Space - symmetrical

Design: AART Designers



Specification:

Material:	Cast aluminium
Finish:	Raw anodized Graphite grey: YW355F Silver grey: Y2370I Corten brown: YX355F Black: Noir 900 Sablé SN351F
Shade:	Clear long-life polycarbonate with UV-resistant acrylate on both sides.
Mounting:	Post top/pipe Ø60 x H100 mm or Ø76 x H50 mm
Lead:	5.5 m PKL-lead, 2 x 1 mm ² , included, connection in the post.
Classification:	IP66, class II
Impact resistance:	IK10; with Zhaga socket IK09
Corrosion class:	C4, C5 optional
Weight:	10 kg
Wind sweeping area:	0.09 m ²
Lamp type:	LED, exchangeable

Driver spec:

High lumen, V22:

Driver: Xitanium Full Xi FP 40 W 0.3-1.0 A progr.
Inrush current: max 22 A (50% after 290 µs)

Low lumen, V18:

Driver: Xitanium Full Xi FP 22 W 0.2-0.7 A progr.
Inrush current: max 15 A (50% after 295 µs)

Surge protection: L/N-GND: 10 kV, (SR driver: 8 kV)
L-N: 6 kV

Operational life: min 100,000 hours

Dimming/control: 5 steps dimming within the lumen intervals,
Other control options: DALI-2 (4/5-conductor cable),
LineSwitch
via Zhaga book 18 socket

LED spec:

LED, High lumen: Bridgelux V22
LED-lumen, Ra 80: 2700K: 600-6050 lm, energy eff class E
3000K: 650-6400 lm, energy eff class D
4000K: 675-6600 lm, energy eff class D
Ra 90: 3000K: 525-5200 lm, energy eff class E

LED, Low lumen: Bridgelux V18
LED-lumen, Ra 80: 2700K: 315-3450 lm, energy eff class E
3000K: 335-3650 lm, energy eff class E
4000K: 345-3800 lm, energy eff class E
Ra 90: 3000K: 275-3000 lm, energy eff class F

Output ratio: 75-76 per cent

Luminous flux: The luminous flux range quoted above is from the LED light source.
Apply output ratio in order to calculate luminous flux out of the luminaire.

Operational life: min 100.000 hours at ta max 25°C, L90B10
Constant lumen output

Colour temperature: 2700, 3000, or 4000 Kelvin
Colour rendering: min 80 Ra, typically 85 Ra,
option for 90 Ra, 3000K, with R9 = 72
(longer lead times for Ra 90)

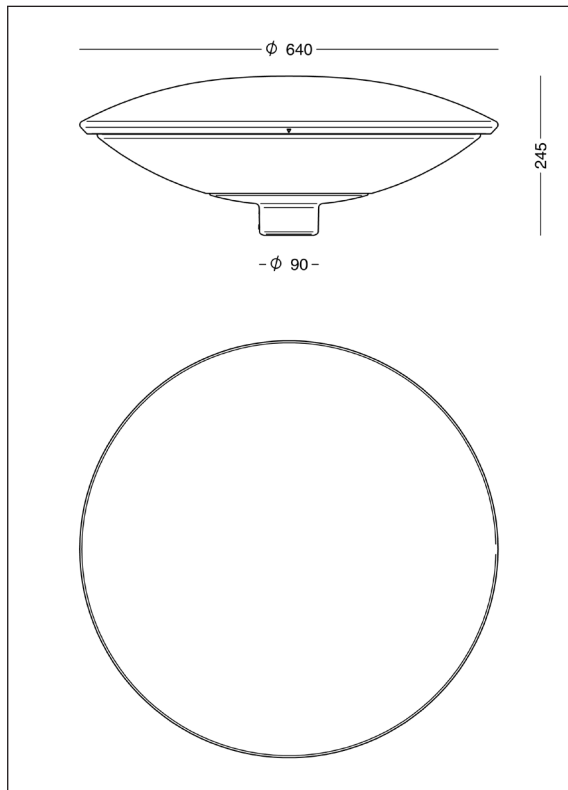
Colour accuracy: 3 steps SDCM

Luminous intensity: G*3

Glare index: D6

Space - asymmetrical

Design: AART Designers



Specification:

Material:	Cast aluminium
Finish:	Raw anodized Graphite grey: YW355F Silver grey: Y2370I Corten brown: YX355F Black: Noir 900 Sablé SN351F
Shade:	Clear long-life polycarbonate with UV-resistant acrylate on both sides.
Mounting:	Post top/pipe $\varnothing 60$ x H100 mm or $\varnothing 76$ x H50 mm
Lead:	5.5 m PKL-lead, 2 x 1 mm ² , included, connection in the post.
Classification:	IP66, class II
Impact resistance:	IK10; with Zhaga socket IK09
Corrosion class:	C4, C5 optional
Weight:	10 kg
Wind sweeping area:	0.09 m ²
Lamp type:	LED, exchangeable

Driver spec:

High lumen, V22:

Driver: Xitanium Full Xi FP 40 W 0.3-1.0 A progr.
Inrush current: max 22 A (50% after 290 μ s)

Low lumen, V18:

Driver: Xitanium Full Xi FP 22 W 0.2-0.7 A progr.
Inrush current: max 15 A (50% after 295 μ s)

Surge protection: L/N-GND: 10 kV, (SR driver: 8 kV)
L-N: 6 kV

Operational life: min 100,000 hours

Dimming/control: 5 steps dimming within the lumen intervals,
Other control options: DALI-2 (4/5-conductor cable),
LineSwitch
via Zhaga book 18 socket

LED spec:

LED, High lumen: Bridgelux V22
LED-lumen, Ra 80: 2700K: 600-6050 lm, energy eff class E
3000K: 650-6400 lm, energy eff class D
4000K: 675-6600 lm, energy eff class D
Ra 90 3000K: 525-5200 lm, energy eff class E

LED, Low lumen: Bridgelux V18
LED-lumen, Ra 80: 2700K: 315-3450 lm, energy eff class E
3000K: 335-3650 lm, energy eff class E
4000K: 345-3800 lm, energy eff class E
Ra 90 3000K: 275-3000 lm, energy eff class F

Output ratio: Type IV: 74 per cent
Type II: 68 per cent

Luminous flux: The luminous flux range quoted above is from the LED light source.
Apply output ratio in order to calculate luminous flux out of the luminaire.

Operational life: min 100.000 hours at ta max 25°C, L90B10
Constant lumen output

Colour temperature: 2700, 3000, or 4000 Kelvin
Colour rendering: min 80 Ra, typically 85 Ra,
option for 90 Ra, 3000K, with R9 = 72
(longer lead times for Ra 90)

Colour accuracy: 3 steps SDCM
Luminous intensity: G*1
Glare index: D5-D6

Space - Item Nos.

Design: AART Designers

Product codes:

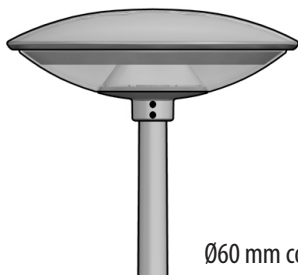
Space - symmetrical				
Item No.	Lamp type <small>Select colour, colour temperature, etc, in the table below.</small>			
8882-	High lumen LED Bridgelux V22, programmable			
8880-	Low lumen LED Bridgelux V18, programmable			
Space - asymmetrical type IV				
8902-	High lumen LED Bridgelux V22, programmable			
8901-	Low lumen LED Bridgelux V18, programmable			
Space - asymmetrical type II				
8885-	High lumen LED Bridgelux V22, programmable			
8884-	Low lumen LED Bridgelux V18, programmable			
Combine with:	Colour	Colour temperature	Mounting	Dimming/control
	01 raw anodized	827 2700 K, 80 Ra	empty Ø60 post	empty programmable
	4 graphite grey	830 3000 K, 80 Ra	M76 Ø76 post	D DALI-2
	9 silver grey	840 4000 K, 80 Ra		F LineSwitch
	17 corten brown	930 3000 K, 90 Ra (longer lead time)		R socket incl. SR driver Zhaga book 18, upwards
	66 noir 900			RC as above, City Touch
				S socket incl. SR driver Zhaga book 18, downwards
	Classification	Corrosion protection		
	empty class II	C5	C5 coating	
	J class I	In the case of extra corrosion protection, add C5 to the colour code; example: 8882-4C5830		
Example Item No.	8882-9830J = Space symmetrical, high-lumen, silver grey, 3000 K 80 Ra, programmable, Ø60 post, cl. I			
*) programmable	When ordering, please state luminous flux as the required LED-lumen + dimming level + dimming period			
Example, profile:	3000 lm 50% 22-06 (fifty per cent dimming from 10 pm to 6 am)			

Design poles with Ø60 top pipe				
Height above terrain	Conical pole, Ø88 mm top		Cylindrical pole, Ø90 mm	
	for embedment	flanged base	for embedment	flanged base
3 meter	3350-	3450-	3150-	3250-
3.5 meter	3351-	3451-	3151-	3251-
4 meter	3352-	3452-	3152-	3252-
4.5 meter	3353-	3453-	3153-	3253-
5 meter	3355-	3455-	3155-	3255-
Combine with:	Colour			
	4	graphite grey		
	7	galvanised		
	9	silver grey		
	17	corten brown		
	66	black noir 900		
Accessories				
50202	Rooted base for Ø 62-90 mm poles			
50200	Rooted base for Ø 108-140 mm poles			
97033	Fuse box for conical pole, for 1 Neozed fuse up to 16A			
97070	Fuse box for conical pole, for 2 Neozed fuses up to 16A			
6949	Fuse box for Ø90 pole, DI Euro Mini, max 3 pcs 4 x 10 or 2 pcs 4 x 16 mm ²			
6949-J	Fuse box for Ø90 pole, DI Euro Mini, class I, max 2 pcs 5 x 10 mm ²			
50279	Fuse box for Ø90 pole, Nipa HSW 1194, max 5 cables 5 x 6 mm ²			
8016-	Option: Distance ring for Ø90 mm pole - select colour in the luminaire table			

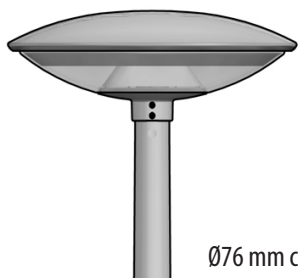
Space - post top

Space can be mounted on different types of poles if the post top or pipe is:

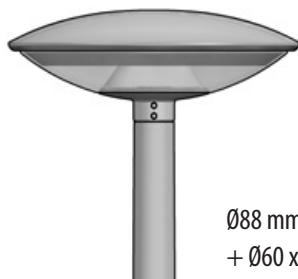
- Ø60 x H100 mm or
- Ø76 x H50 mm



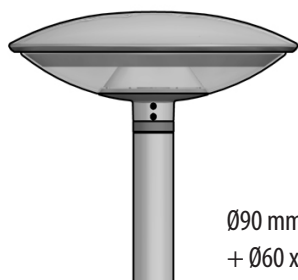
Ø60 mm conical pole



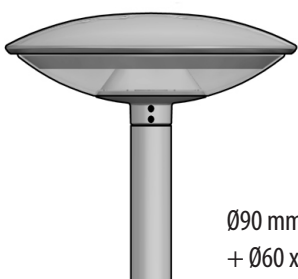
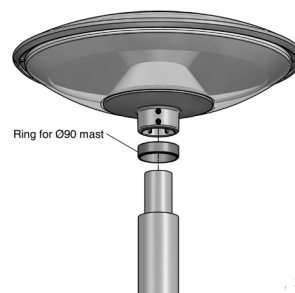
Ø76 mm conical pole



Ø88 mm conical pole
+ Ø60 x H100 mm top pipe



Ø90 mm cylindrical pole
+ Ø60 x H100 mm top pipe, with ring



Ø90 mm cylindrical pole
+ Ø60 x H100 mm top pipe, without ring

