

# Way - Top Entry

Design: AART Designers



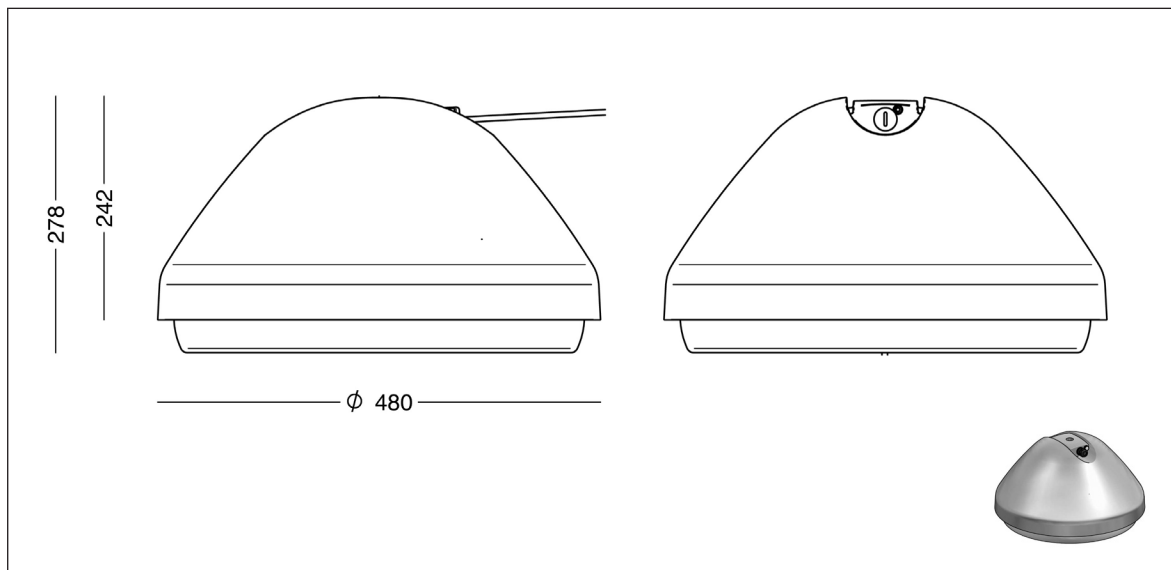
**WAY** is a versatile luminaire in our range of street lighting. It is designed the Nordic way to avoid light pollution and discomfort glare.

The luminaire is available for top or side entry. It is made in cast aluminium with shade in clear, impact resistant PMMA (acrylate). The shade is parallel to the ground but has a protuberant, frosted edge, which will enhance optical guidance. Due to the unique design of the shade, discomfort glare is minimized.

**WAY** is available with circular or square LED boards with lens types for various applications. The luminaire fulfills European standards for street lighting.

# Way - top entry - FastFlex + T3-sym

Design: AART Designers



## Luminaire specification:

Material:	Cast aluminium
Finish:	Raw anodized Graphite grey: YW355F Silver grey: Y2370I Corten brown: YX355F Black: Noir 900 Sablé, SN351F
Shade:	Clear, impact-resistant PMMA, coated on the edge
Mounting:	Top entry: G3/4" threaded pipe
Connection:	The luminaire is delivered with lead: 2 leads at 2 m, 1 x 2.5 mm <sup>2</sup> or 1 lead at 10 m, 2 x 1 mm <sup>2</sup>
Classification:	IP66, class II, class I optional
Impact resistance:	IK08
Corrosion class:	C4, C5 optional
Weight:	max 11 kg
Wind sweeping area:	0.11 m <sup>2</sup> (laterally)

## Driver specification:

**Driver 3xFF:** Xi FP 75 W 0.2-0.7 A, programmable  
Inrush current: max 46 A (50% after 250 µs)  
Operational input voltage, AC: 80-264 Vac

**Driver 4xFF:** Xi FP 165 W 0.3-1.0 A, programmable  
Inrush current: max 41 A (50% after 440 µs)  
Operational input voltage, AC: 160-264 Vac

Nominal voltage: AC: 220-240 Vac, DC: 186-250 Vdc  
Operational input voltage DC: 168-275 Vdc  
Nominal input frequency: 50-60 Hz  
Operational input frequency: 45-66 Hz  
Max preprotection: 16 A  
Surge protection: L/N-GND: 10 kV, (SR driver: 8 kV), L-N: 6 kV  
Operational life: min 100,000 hours  
Dimming/control: 5 steps dimming within the lumen intervals,  
Alternatively: DALI-2 (4/5-conductor cable), LineSwitch, or  
via Zhaga book 18\_socket, D4i

## LED specification:

FastFlex LED:	3xFF-DA 2x6 or 4xFF-DA 2x8 with symmetric T3 lenses
Operational life:	min. 100,000 hours at ta max 25°, L90B10 Constant lumen output
Temperature range:	-30 to +35° C
Colour temperature:	2700, 3000, or 4000 Kelvin
Colour rendering:	min 70 Ra, 80 Ra optional
Colour accuracy:	5 steps SDCM
Luminous intensity:	G*4
Luminous flux:	The luminous flux range quoted below is from the LED light source. Apply output ratio in order to calculate luminous flux out of the luminaire.

## LED-lumen, 3xFF:

70 Ra:	3000K: 980-10100 lm, energy eff class D 4000K: 1060-10900 lm, energy eff class D
80 Ra:	2700K: 830-8550 lm, energy eff class E 3000K: 875-9000 lm, energy eff class E 4000K: 925-9550 lm, energy eff class D

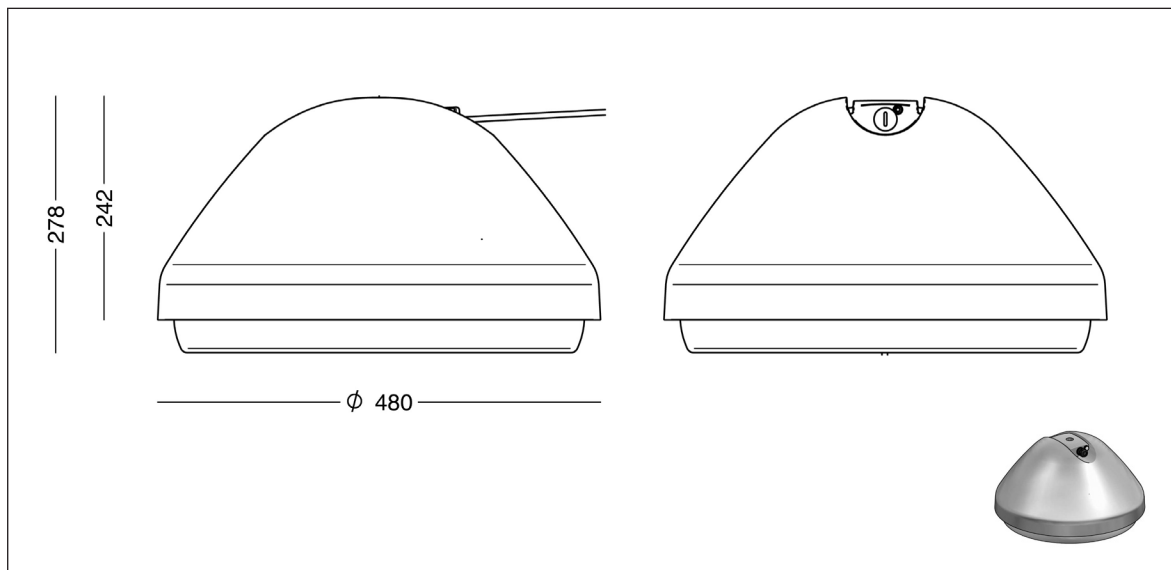
## LED-lumen, 4xFF:

70 Ra:	3000K: 2300-22150 lm, energy eff class D 4000K: 2500-23950 lm, energy eff class D
80 Ra:	2700K: 1950-18700 lm, energy eff class E 3000K: 2050-19700 lm, energy eff class E 4000K: 2200-20850 lm, energy eff class D

Output ratio: 84%

# Way - top entry - FastFlex + MEW-sym

Design: AART Designers



## Luminaire specification:

Material:	Cast aluminium
Finish:	Raw anodized Graphite grey: YW355F Silver grey: Y2370I Corten brown: YX355F Black: Noir 900 Sablé, SN351F
Shade:	Clear, impact-resistant PMMA, coated on the edge
Mounting:	Top entry: G3/4" threaded pipe
Connection:	The luminaire is delivered with lead: 2 leads at 2 m, 1 x 2.5 mm <sup>2</sup> or 1 lead at 10 m, 2 x 1 mm <sup>2</sup>
Classification:	IP66, class II, class I optional
Impact resistance:	IK08
Corrosion class:	C4, C5 optional
Weight:	max 11 kg
Wind sweeping area:	0.11 m <sup>2</sup> (laterally)

## Driver specification:

**Driver 3xFF:** Xi FP 75 W 0.2-0.7 A, programmable  
Inrush current: max 46 A (50% after 250 µs)  
Operational input voltage, AC: 80-264 Vac

**Driver 4xFF:** Xi FP 165 W 0.3-1.0 A, programmable  
Inrush current: max 41 A (50% after 440 µs)  
Operational input voltage, AC: 160-264 Vac

Nominal voltage: AC: 220-240 Vac, DC: 186-250 Vdc  
Operational input voltage DC: 168-275 Vdc  
Nominal input frequency: 50-60 Hz  
Operational input frequency: 45-66 Hz  
Max preprotection: 16 A  
Surge protection: L/N-GND: 10 kV, (SR driver: 8 kV), L-N: 6 kV  
Operational life: min 100,000 hours  
Dimming/control: 5 steps dimming within the lumen intervals,  
Alternatively: DALI-2 (4/5-conductor cable), LineSwitch, or via Zhaga book 18\_socket, D4i

## LED specification:

FastFlex LED:	3xFF-DA 2x6 or 4xFF-DA 2x8 with symmetric MEW lenses
Operational life:	min. 100,000 hours at ta max 25°, L90B10 Constant lumen output
Temperature range:	-30 to +35° C
Colour temperature:	2700, 3000, or 4000 Kelvin
Colour rendering:	min 70 Ra, 80 Ra optional
Colour accuracy:	5 steps SDCM
Luminous intensity:	G*6
Luminous flux:	The luminous flux range quoted below is from the LED light source. Apply output ratio in order to calculate luminous flux out of the luminaire.

## LED-lumen, 3xFF:

70 Ra:	3000K: 980-10100 lm, energy eff class D 4000K: 1060-10900 lm, energy eff class D
80 Ra:	2700K: 830-8550 lm, energy eff class E 3000K: 875-9000 lm, energy eff class E 4000K: 925-9550 lm, energy eff class D

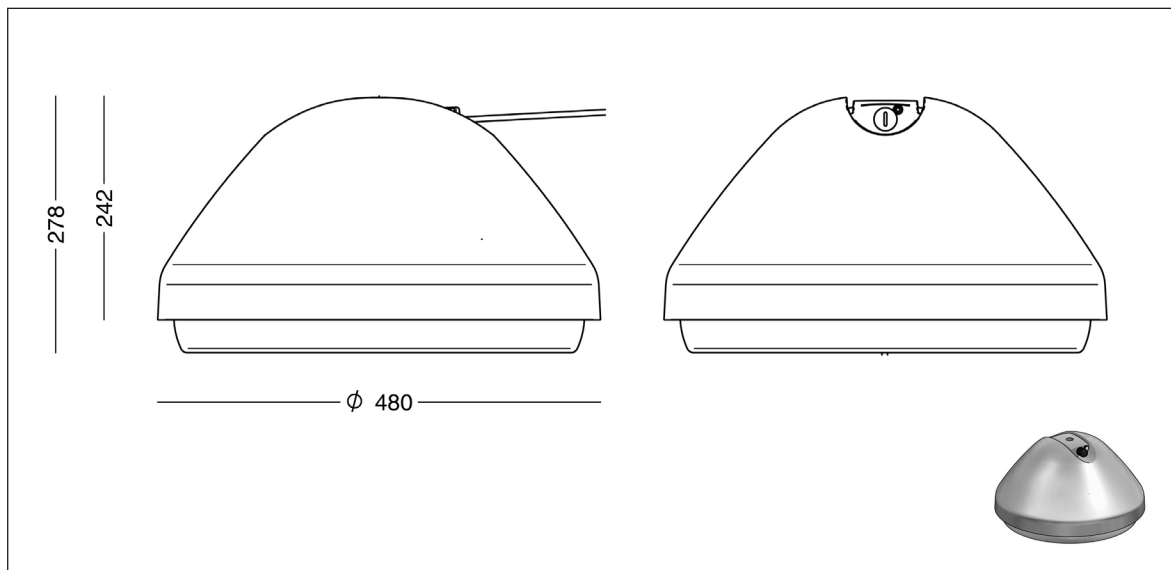
## LED-lumen, 4xFF:

70 Ra:	3000K: 2300-22150 lm, energy eff class D 4000K: 2500-23950 lm, energy eff class D
80 Ra:	2700K: 1950-18700 lm, energy eff class E 3000K: 2050-19700 lm, energy eff class E 4000K: 2200-20850 lm, energy eff class D

Output ratio: 87%

# Way - top entry - FastFlex + CAT

Design: AART Designers



## Luminaire specification:

Material:	Cast aluminium
Finish:	Raw anodized Graphite grey: YW355F Silver grey: Y2370I Corten brown: YX355F Black: Noir 900 Sablé, SN351F
Shade:	Clear, impact-resistant PMMA, coated on the edge
Mounting:	Top entry: G3/4" threaded pipe
Connection:	The luminaire is delivered with lead: 2 leads at 2 m, 1 x 2.5 mm <sup>2</sup> or 1 lead at 10 m, 2 x 1 mm <sup>2</sup>
Classification:	IP66, class II, class I optional
Impact resistance:	IK08
Corrosion class:	C4, C5 optional
Weight:	max 11 kg
Wind sweeping area:	0.11 m <sup>2</sup> (laterally)

## Driver specification:

**Driver 3xFF:** Xi FP 75 W 0.2-0.7 A, programmable  
Inrush current: max 46 A (50% after 250 µs)  
Operational input voltage, AC: 80-264 Vac

**Driver 4xFF:** Xi FP 165 W 0.3-1.0 A, programmable  
Inrush current: max 41 A (50% after 440 µs)  
Operational input voltage, AC: 160-264 Vac

Nominal voltage: AC: 220-240 Vac, DC: 186-250 Vdc  
Operational input voltage DC: 168-275 Vdc  
Nominal input frequency: 50-60 Hz  
Operational input frequency: 45-66 Hz  
Max preprotection: 16 A  
Surge protection: L/N-GND: 10 kV, (SR driver: 8 kV), L-N: 6 kV  
Operational life: min 100,000 hours  
Dimming/control: 5 steps dimming within the lumen intervals,  
Alternatively: DALI-2 (4/5-conductor cable), LineSwitch, or  
via Zhaga book 18\_socket, D4i

## LED specification:

FastFlex LED:	3xFF-DA 2x6 or 4xFF-DA 2x8 with CAT lenses
Operational life:	min. 100,000 hours at ta max 25°, L90B10 Constant lumen output
Temperature range:	-30 to +35° C
Colour temperature:	2700, 3000, or 4000 Kelvin
Colour rendering:	min 70 Ra, 80 Ra optional
Colour accuracy:	5 steps SDCM
Luminous intensity:	G*6
Luminous flux:	The luminous flux range quoted below is from the LED light source. Apply output ratio in order to calculate luminous flux out of the luminaire.

## LED-lumen, 3xFF:

70 Ra:	3000K: 980-10100 lm, energy eff class D 4000K: 1060-10900 lm, energy eff class D
80 Ra:	2700K: 830-8550 lm, energy eff class E 3000K: 875-9000 lm, energy eff class E 4000K: 925-9550 lm, energy eff class D

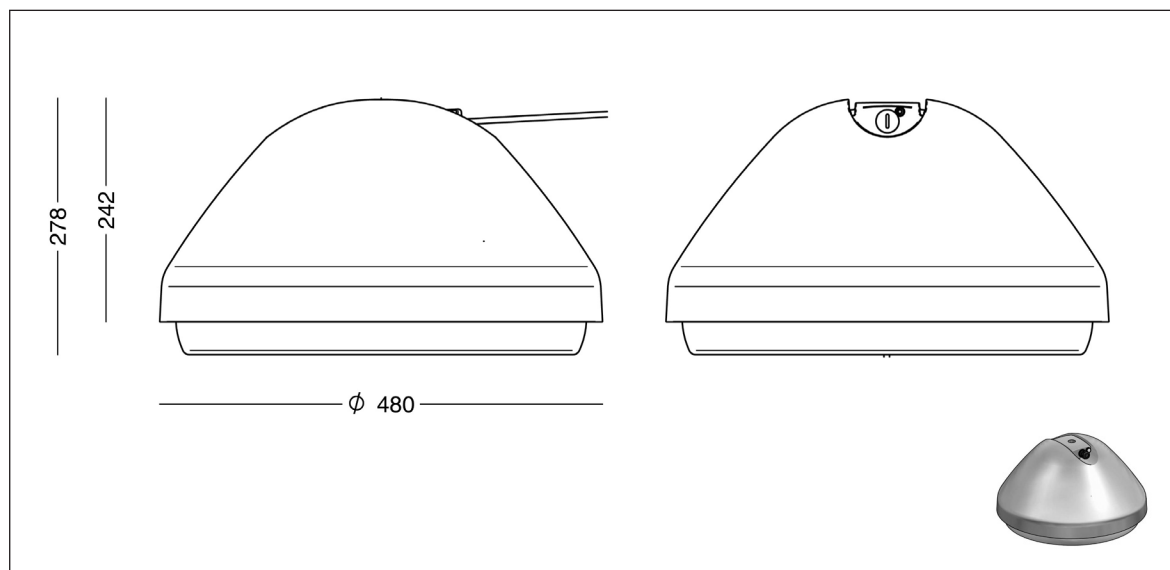
## LED-lumen, 4xFF:

70 Ra:	3000K: 2300-22150 lm, energy eff class D 4000K: 2500-23950 lm, energy eff class D
80 Ra:	2700K: 1950-18700 lm, energy eff class E 3000K: 2050-19700 lm, energy eff class E 4000K: 2200-20850 lm, energy eff class D

Output ratio: 87.5%

# Way - top entry - FF-DA - product codes

Design: AART Designers



## Product codes:

WAY top entry, FF-DA board with symmetrical T3 lenses										
Item Nos.	Lamp type	Select colour, colour temperature, etc. in the table below.								
9850-	3xFF-DA 2x6, T3, programmable									
9888-	4xFF-DA 2x8, T3, programmable									
WAY top entry, FF-DA board with symmetrical MEW lenses										
Item Nos.	Lamp type	Select colour, colour temperature, etc. in the table below.								
9854-	3xFF-DA 2x6, MEW, programmable									
9889-	4xFF-DA 2x8, MEW, programmable									
WAY top entry, FF-DA board with CAT lenses										
Item Nos.	Lamp type	Select colour, colour temperature, etc. in the table below.								
9856-	3xFF-DA 2x6, CAT, programmable									
9890-	4xFF-DA 2x8, CAT, programmable									
Combine with:	Colour	Colour temperature		Lead	Dimming/control		Protection class			
	01 raw anodized	730	3000 K, 70 Ra	2	2 x 2 m 1x2.5 mm2	empty	programmable *)		empty	class II
	4 graphite grey	740	4000 K, 70 Ra	10	1 x 10 m 2x1 mm2	D	DALI-2		J	class I
	9 silver grey	827*	2700 K, 80 Ra			F	LineSwitch			
	17 corten brown	830*	3000 K, 80 Ra			R	D4i driver, Zhaga book 18 socket upwards			
	66 black noir 900	840*	4000 K, 80 Ra			RC	SR driver, Zhaga book 18 socket City Tch/InteractCity			
		*) Longer lead times				S	D4i driver, Zhaga book 18 socket downwards			
	Corrosion protection									
	C5	C5 coating	In the case of extra corrosion protection, add C5 to the colour code; example: 9850-9C5730							
Example:	9888-97302RJ = WAY top entry, 4 x FF-DA, lens type T3, silver grey, 3000 K 70 Ra, 2 m lead , with Zhaga book 18 socket upwards, cl. I									
*) programmable	When ordering, please state luminous flux as the required LED-lumen + dimming level + dimming period									
Example, profile:	9000 lm 50% 22-06 (fifty per cent dimming from 10 pm to 6 am)									