

Peak 380

Design: AART Designers



PEAK is available for side entry or post top mounting. The luminaire is available in black and two grey variants suitable for galvanised standard poles. It is made of cast aluminium and clear glass, and due to its modular design, it can be adapted to the electronics required for the specific purpose.

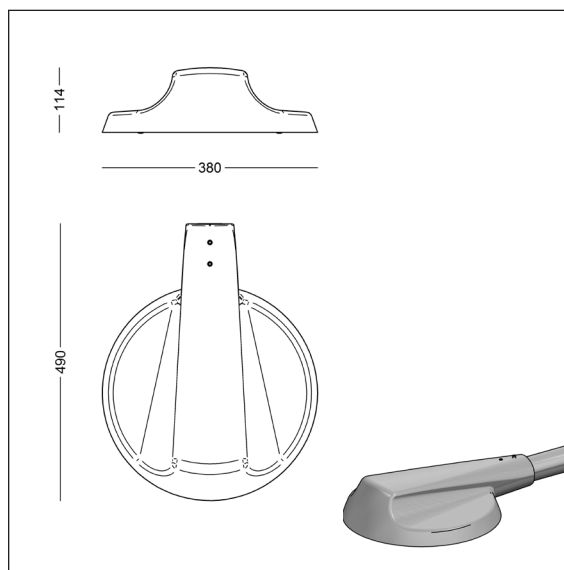
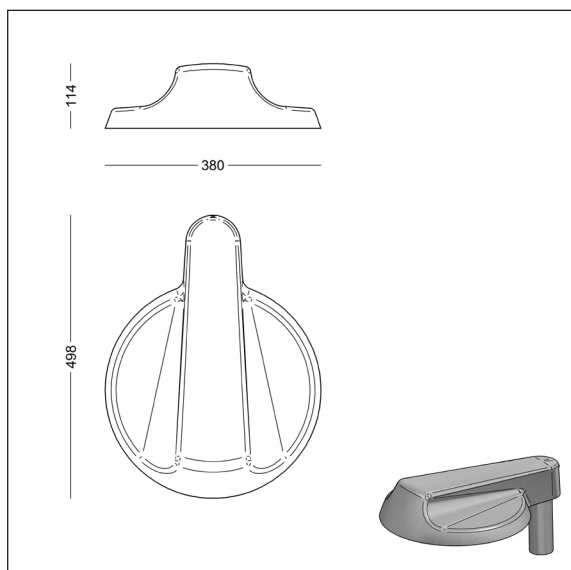
PEAK comes with LED with various lense types, appropriate for traffic roads, roundabouts, crossings, pedestrian areas, etc.



FOCUS-LIGHTING

Peak 380 - FastFlex + T3

Design: AART Designers



Luminaire specification:

Material:	Cast aluminium
Finish:	Raw anodized Graphite grey: YW355F Silver grey: Y2370I Black: Noir 900 Sablé, SN351F
Shade:	3 mm hardened glass, coated on the edge
Mounting:	On pole, 60 or 76 mm top diameter, or on arm, 42, 48, or 60 mm
Connection:	In the pole. The luminaire is delivered with lead according to pole height, 2 x 1 mm ²
Classification:	IP66, class II
Impact resistance:	IK09
Corrosion class:	C4, C5 optional
Weight:	6-7 kg
Lamp type:	Exchangable LED module

Driver specification:

Driver, 1xFF:	Xitanium Full Xi FP 40 W 0.2-0.7 A, program.
Inrush current:	max 22 A (50% after 290 µs)
Driver, 2xFF:	Xitanium Full Xi FP 75 W 0.2-0.7 A, program.
Inrush current:	max 46 A (50% after 250 µs)
Driver, 3xFF:	Xitanium Full Xi FP 110 W 0.2-0.7 A, program.
Inrush current:	max 47 A (50% after 250 µs)

Operational input voltage:	80-264 Vac
Nominal voltage:	AC: 220-240 Vac, DC: 186-250 Vdc
Operational input voltage:	168-275 Vdc
Nominal input frequency:	50-60 Hz
Operational input frequency:	45-66 Hz
Max preprotection:	16 A
Surge protection:	L/N-GND: 10 kV, L-N: 6 kV, (SR driver: 8 kV)
Operational life:	min 100,000 hours
Dimming:	5 steps dimming within the lumen intervals
Alternatively:	DALI-2 (4/5-conductor cable), LineSwitch, or via Zhaga book 18 socket

Lamp specification:

FastFlex LED:	FF-DA, T3 lenses, for local roads, P, HS, and C classes, 1, 2, or 3 modules
Operational life:	min. 100,000 hours at ta max 25°, L90B10 Constant lumen output
Temperature range:	-30 to +35° C
Colour temperature:	2700, 3000, or 4000 Kelvin
Colour rendering:	min 70 Ra, 80 Ra optional
Colour accuracy:	5 steps SDCM
Luminous intensity:	G*3
Glare index class:	D6
Luminous flux:	The luminous flux range quoted below is from the LED light source. Apply output ratio in order to calculate luminous flux out of the luminaire.

LED-lumen, 1xFF:

70 Ra	3000K: 450-4500 lm, energy eff class: D 4000K: 475-4850 lm, energy eff class: D
80 Ra	2700K: 375-3800 lm, energy eff class: E 3000K: 400-4000 lm, energy eff class: E 4000K: 420-4250 lm, energy eff class: D

LED-lumen, 2xFF:

70 Ra	3000K: 875-9000 lm, energy eff class: D 4000K: 950-9700 lm, energy eff class: D
80 Ra	2700K: 725-7600 lm, energy eff class: E 3000K: 775-8000 lm, energy eff class: E 4000K: 825-8500 lm, energy eff class: D

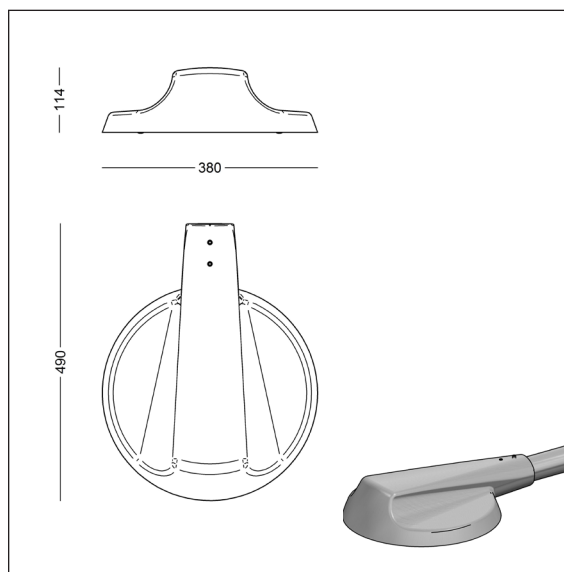
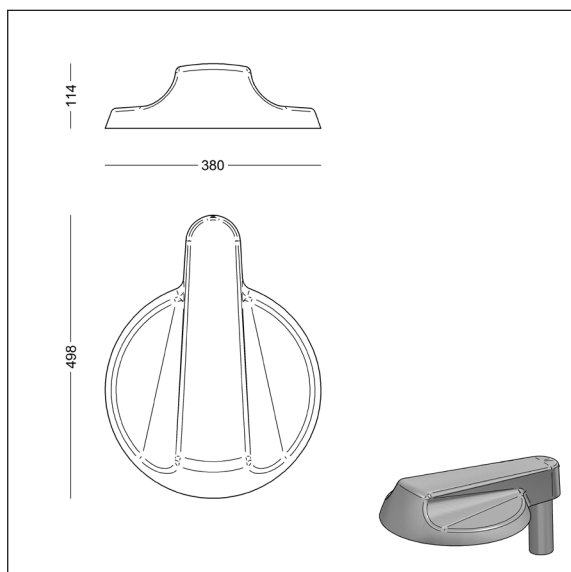
LED-lumen, 3xFF:

70 Ra	3000K: 1310-13500 lm, energy eff class: D 4000K: 1420-14600 lm, energy eff class: D
80 Ra	2700K: 1100-11400 lm, energy eff class: E 3000K: 1175-12000 lm, energy eff class: E 4000K: 1250-12700 lm, energy eff class: D

Output ratio:	93%
---------------	-----

Peak 380 - FastFlex + MEW

Design: AART Designers



Luminaire specification:

Material:	Cast aluminium
Finish:	Raw anodized Graphite grey: YW355F Silver grey: Y2370I Black: Noir 900 Sablé, SN351F
Shade:	3 mm hardened glass, coated on the edge
Mounting:	On pole, 60 or 76 mm top diameter, or on arm, 42, 48, or 60 mm
Connection:	In the pole. The luminaire is delivered with lead according to pole height, 2 x 1 mm ²
Classification:	IP66, class II
Impact resistance:	IK09
Corrosion class:	C4, C5 optional
Weight:	6-7 kg
Lamp type:	Exchangable LED module

Driver specification:

Driver, 1xFF:	Xitanium Full Xi FP 40 W 0.2-0.7 A, program.
Inrush current:	max 22 A (50% after 290 µs)
Driver, 2xFF:	Xitanium Full Xi FP 75 W 0.2-0.7 A, program.
Inrush current:	max 46 A (50% after 250 µs)
Driver, 3xFF:	Xitanium Full Xi FP 110 W 0.2-0.7 A, program.
Inrush current:	max 47 A (50% after 250 µs)

Operational input voltage:	80-264 Vac
Nominal voltage:	AC: 220-240 Vac, DC: 186-250 Vdc
Operational input voltage:	168-275 Vdc
Nominal input frequency:	50-60 Hz
Operational input frequency:	45-66 Hz
Max preprotection:	16 A
Surge protection:	L/N-GND: 10 kV, L-N: 6 kV, (SR driver: 8 kV)
Operational life:	min 100,000 hours
Dimming:	5 steps dimming within the lumen intervals
Alternatively:	DALI-2 (4/5-conductor cable), LineSwitch, or via Zhaga book 18 socket

Lamp specification:

FastFlex LED:	FF-DA, MEW lenses, for traffic roads, M classes, 1, 2, or 3 modules
Operational life:	min. 100,000 hours at ta max 25°, L90B10 Constant lumen output
Temperature range:	-30 to +35° C
Colour temperature:	2700, 3000, or 4000 Kelvin
Colour rendering:	min 70 Ra, 80 Ra optional
Colour accuracy:	5 steps SDCM
Luminous intensity:	G*6
Glare index class:	D6
Luminous flux:	The luminous flux range quoted below is from the LED light source. Apply output ratio in order to calculate luminous flux out of the luminaire.

LED-lumen, 1xFF:

70 Ra	3000K: 450-4500 lm, energy eff class: D 4000K: 475-4850 lm, energy eff class: D
80 Ra	2700K: 375-3800 lm, energy eff class: E 3000K: 400-4000 lm, energy eff class: E 4000K: 420-4250 lm, energy eff class: D

LED-lumen, 2xFF:

70 Ra	3000K: 875-9000 lm, energy eff class: D 4000K: 950-9700 lm, energy eff class: D
80 Ra	2700K: 725-7600 lm, energy eff class: E 3000K: 775-8000 lm, energy eff class: E 4000K: 825-8500 lm, energy eff class: D

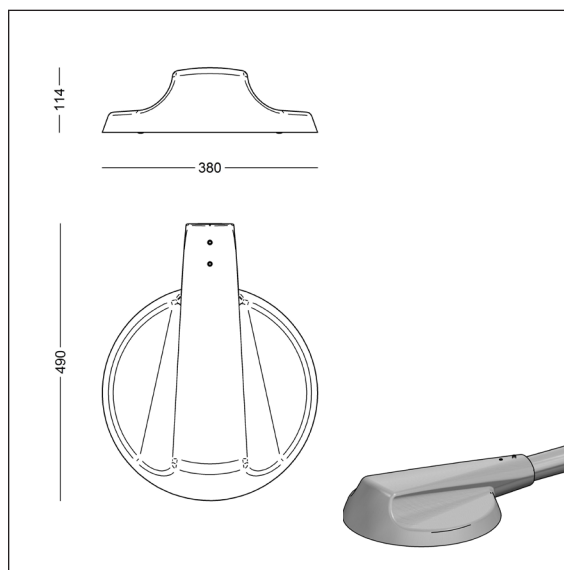
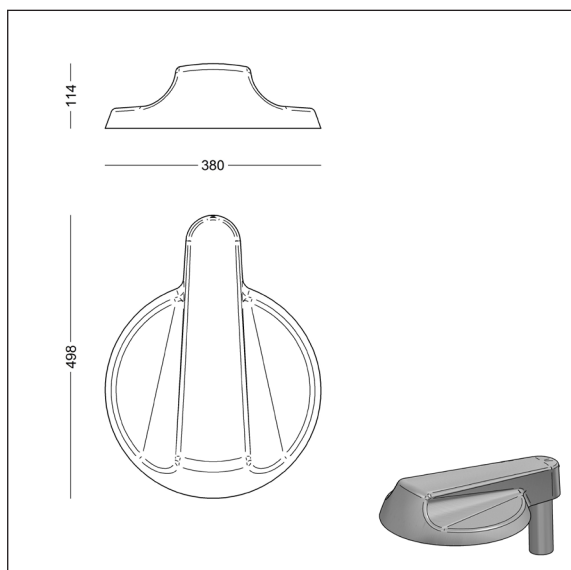
LED-lumen, 3xFF:

70 Ra	3000K: 1310-13500 lm, energy eff class: D 4000K: 1420-14600 lm, energy eff class: D
80 Ra	2700K: 1100-11400 lm, energy eff class: E 3000K: 1175-12000 lm, energy eff class: E 4000K: 1250-12700 lm, energy eff class: D

Output ratio:	93%
---------------	-----

Peak 380 - FastFlex + T4

Design: AART Designers



Luminaire specification:

Material:	Cast aluminium
Finish:	Raw anodized Graphite grey: YW355F Silver grey: Y2370I Black: Noir 900 Sablé, SN351F
Shade:	3 mm hardened glass, coated on the edge
Mounting:	On pole, 60 or 76 mm top diameter, or on arm, 42, 48, or 60 mm
Connection:	In the pole. The luminaire is delivered with lead according to pole height, 2 x 1 mm ²
Classification:	IP66, class II
Impact resistance:	IK09
Corrosion class:	C4, C5 optional
Weight:	6-7 kg
Lamp type:	Exchangable LED module

Driver specification:

Driver, 1xFF:	Xitanium Full Xi FP 40 W 0.2-0.7 A, program.
Inrush current:	max 22 A (50% after 290 µs)
Driver, 2xFF:	Xitanium Full Xi FP 75 W 0.2-0.7 A, program.
Inrush current:	max 46 A (50% after 250 µs)
Driver, 3xFF:	Xitanium Full Xi FP 110 W 0.2-0.7 A, program.
Inrush current:	max 47 A (50% after 250 µs)

Operational input voltage:	80-264 Vac
Nominal voltage:	AC: 220-240 Vac, DC: 186-250 Vdc
Operational input voltage:	168-275 Vdc
Nominal input frequency:	50-60 Hz
Operational input frequency:	45-66 Hz
Max preprotection:	16 A
Surge protection:	L/N-GND: 10 kV, L-N: 6 kV, (SR driver: 8 kV)
Operational life:	min 100,000 hours
Dimming:	5 steps dimming within the lumen intervals
Alternatively:	DALI-2 (4/5-conductor cable), LineSwitch, or via Zhaga book 18 socket

Lamp specification:

FastFlex LED:	FF-DA, T4 lenses, for roundabouts, 1, 2, or 3 modules
Operational life:	min. 100,000 hours at ta max 25°, L90B10 Constant lumen output
Temperature range:	-30 to +35° C
Colour temperature:	2700, 3000, or 4000 Kelvin
Colour rendering:	min 70 Ra, 80 Ra optional
Colour accuracy:	5 steps SDCM
Luminous intensity:	G*2
Glare index class:	D6
Luminous flux:	The luminous flux range quoted below is from the LED light source. Apply output ratio in order to calculate luminous flux out of the luminaire.

LED-lumen, 1xFF:

70 Ra	3000K: 450-4500 lm, energy eff class: D 4000K: 475-4850 lm, energy eff class: D
80 Ra	2700K: 375-3800 lm, energy eff class: E 3000K: 400-4000 lm, energy eff class: E 4000K: 420-4250 lm, energy eff class: D

LED-lumen, 2xFF:

70 Ra	3000K: 875-9000 lm, energy eff class: D 4000K: 950-9700 lm, energy eff class: D
80 Ra	2700K: 725-7600 lm, energy eff class: E 3000K: 775-8000 lm, energy eff class: E 4000K: 825-8500 lm, energy eff class: D

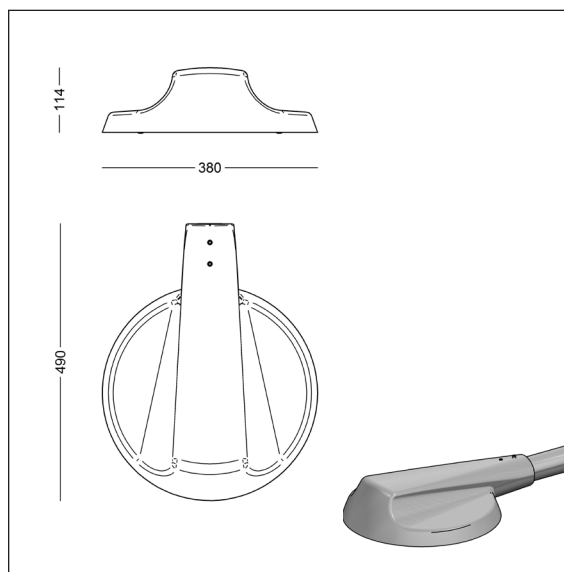
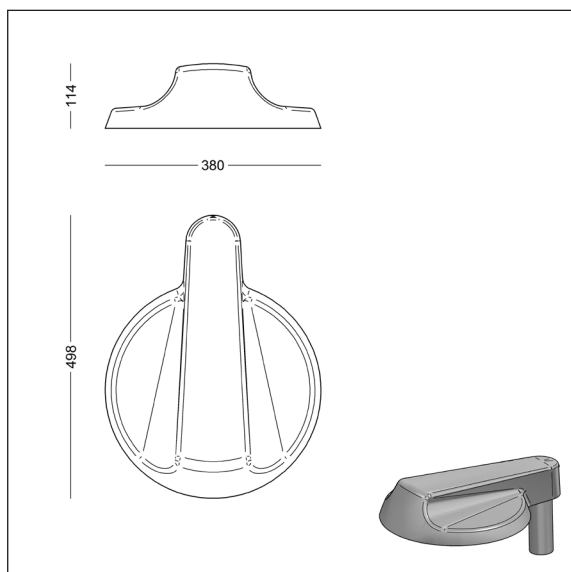
LED-lumen, 3xFF:

70 Ra	3000K: 1310-13500 lm, energy eff class: D 4000K: 1420-14600 lm, energy eff class: D
80 Ra	2700K: 1100-11400 lm, energy eff class: E 3000K: 1175-12000 lm, energy eff class: E 4000K: 1250-12700 lm, energy eff class: D

Output ratio:	92%
---------------	-----

Peak 380 - FastFlex + PX

Design: AART Designers



Luminaire specification:

Material:	Cast aluminium
Finish:	Raw anodized Graphite grey: YW355F Silver grey: Y2370I Black: Noir 900 Sablé, SN351F
Shade:	3 mm hardened glass, coated on the edge
Mounting:	On pole, 60 or 76 mm top diameter, or on arm, 42, 48, or 60 mm
Connection:	In the pole. The luminaire is delivered with lead according to pole height, 2 x 1 mm ²
Classification:	IP66, class II
Impact resistance:	IK09
Corrosion class:	C4, C5 optional
Weight:	6-7 kg
Lamp type:	Exchangable LED module

Driver specification:

Driver, 1xFF:	Xitanium Full Xi FP 40 W 0.2-0.7 A, program.
Inrush current:	max 22 A (50% after 290 µs)
Driver, 2xFF:	Xitanium Full Xi FP 75 W 0.2-0.7 A, program.
Inrush current:	max 46 A (50% after 250 µs)
Driver, 3xFF:	Xitanium Full Xi FP 110 W 0.2-0.7 A, program.
Inrush current:	max 47 A (50% after 250 µs)

Operational input voltage:	80-264 Vac
Nominal voltage:	AC: 220-240 Vac, DC: 186-250 Vdc
Operational input voltage:	168-275 Vdc
Nominal input frequency:	50-60 Hz
Operational input frequency:	45-66 Hz
Max preprotection:	16 A
Surge protection:	L/N-GND: 10 kV, L-N: 6 kV, (SR driver: 8 kV)
Operational life:	min 100,000 hours
Dimming:	5 steps dimming within the lumen intervals
Alternatively:	DALI-2 (4/5-conductor cable), LineSwitch, or via Zhaga book 18 socket

Lamp specification:

FastFlex LED:	FF-DA, PX lenses, for pedestrian crossings, 1, 2, or 3 modules
Operational life:	min. 100,000 hours at ta max 25°, L90B10 Constant lumen output
Temperature range:	-30 to +35° C
Colour temperature:	2700, 3000, or 4000 Kelvin
Colour rendering:	min 70 Ra, 80 Ra optional
Colour accuracy:	5 steps SDCM
Luminous intensity:	G*6
Glare index class:	D6
Luminous flux:	The luminous flux range quoted below is from the LED light source. Apply output ratio in order to calculate luminous flux out of the luminaire.

LED-lumen, 1xFF:

70 Ra	3000K: 450-4500 lm, energy eff class: D 4000K: 475-4850 lm, energy eff class: D
80 Ra	2700K: 375-3800 lm, energy eff class: E 3000K: 400-4000 lm, energy eff class: E 4000K: 420-4250 lm, energy eff class: D

LED-lumen, 2xFF:

70 Ra	3000K: 875-9000 lm, energy eff class: D 4000K: 950-9700 lm, energy eff class: D
80 Ra	2700K: 725-7600 lm, energy eff class: E 3000K: 775-8000 lm, energy eff class: E 4000K: 825-8500 lm, energy eff class: D

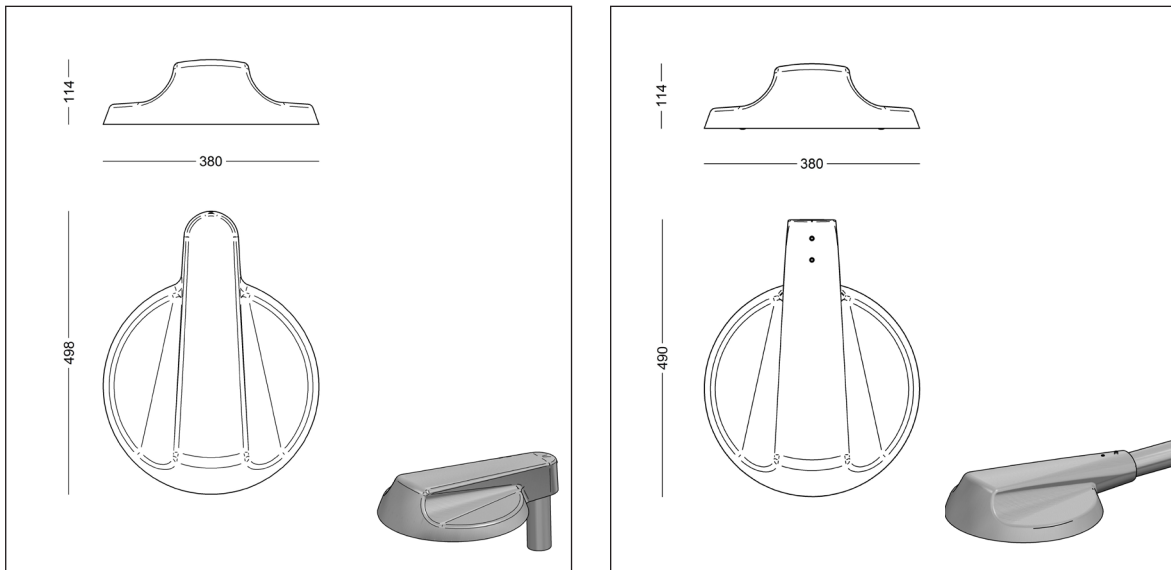
LED-lumen, 3xFF:

70 Ra	3000K: 1310-13500 lm, energy eff class: D 4000K: 1420-14600 lm, energy eff class: D
80 Ra	2700K: 1100-11400 lm, energy eff class: E 3000K: 1175-12000 lm, energy eff class: E 4000K: 1250-12700 lm, energy eff class: D

Output ratio:	94%
---------------	-----

Peak 380 - LED FF-DA, Item Numbers

Design: AART designers



Product codes:

PEAK 380 FastFlex LED with T3 lenses for local roads, P, HS, and C classes		
Item No.	LED	Select colour, colour temperature, etc. in the table below.
8950-	1xFF-DA, T3, programmable	
8951-	2xFF-DA, T3, programmable	
8952-	3xFF-DA, T3, programmable	

PEAK 380 FastFlex LED with MEW lenses for traffic roads, M classes		
Item No.	LED	Select colour, colour temperature, etc. in the table below.
8970-	1xFF-DA, MEW, programmable	
8971-	2xFF-DA, MEW, programmable	
8973-	3xFF-DA, MEW, programmable	

PEAK 380 FastFlex LED with T4 lenses for roundabouts and wide roads		
Item No.	LED	Select colour, colour temperature, etc. in the table below.
8955-	1xFF-DA, T4, programmable	
8956-	2xFF-DA, T4, programmable	
8957-	3xFF-DA, T4, programmable	

PEAK 380 FastFlex LED with PX lenses for pedestrian crossings		
Item No.	LED	Select colour, colour temperature, etc. in the table below.
8980-	1xFF-DA, PX, programmable	
8981-	2xFF-DA, PX, programmable	
8982-	3xFF-DA, PX, programmable	

Combine with:	Colour	Colour temperature	Mounting	Control	Protection class
	01 raw anodized	730 3000 K, 70 Ra	T post top	empty programmable *)	empty class II
	4 graphite grey	740 4000 K, 70 Ra	U side entry	D DALI-2	J class I
	9 silver grey	827* 2700 K, 80 Ra	G mid-column Ø60	F LineSwitch	
	66 black noir 900	830* 3000 K, 80 Ra	G76 mid-column Ø76	R socket Zhaga book 18 incl. SR driver, upwards	
		840* 4000 K, 80 Ra		RC socket as above, City Touch/Interact City	
		* Longer lead times		S socket Zhaga book 18 incl. SR driver, downwards	
	Corrosion protection				
C5	C5 coating	In the case of extra corrosion protection, add C5 to the colour code; example: 8951-9C5730			

Example, item:	8952-9730TRJ = Peak 380 3xFF-DA, T3, silver grey, 3000 K 70 Ra, top entry, Zhaga socket upwards, class I
*) programmable	When ordering, please state luminous flux as the required LED-lumen + dimming level + dimming period
Example, profile:	8000 lm 50% 22-06 (fifty per cent dimming from 10 pm to 6 am)

Find our sales partner in your country under Contacts at www.focus-lighting.dk

FOCUS-LIGHTING