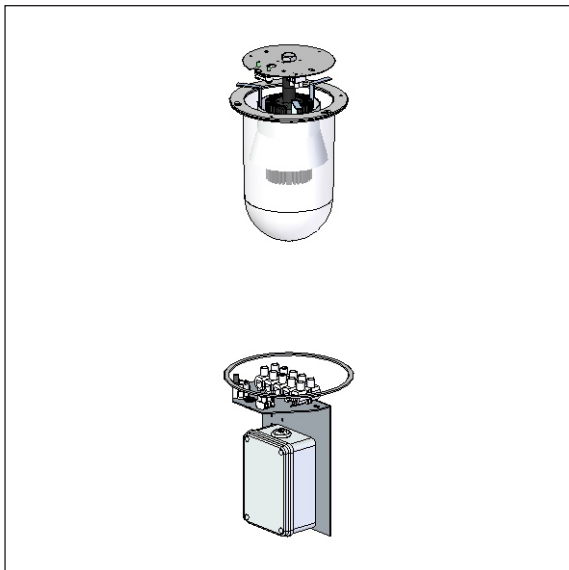


Tema Bollard 1100 - LED module



Complete LED module for easy and efficient refurbishment of existing Tema bollards 1100 (Pullerten Stor) without door. Incl. shade and sealing for top lid.

Not for models earlier than 1996. See the compatible items below.

LED and driver specs:

LED type: Bridgelux Vero 10
 Energy consumption: 12, or 16 W
 Operational life: min 100,000 hours at ta max 25°C, L90B10
 Colour temperature: 2700, 3000 or 4000 Kelvin
 Energy eff. class: F
 Colour rendering: min 90 Ra
 Colour accuracy: 3 Steps SDCM
 Output ratio: 74%

Driver: LED driver, 20 W, dimming optional
 Operational life: min 100,000 hours

Exchange of light source:

Loosen the side screw for detaching the lid.
 Disconnect mains leads and subsequently lead to the light source.
 Detach old part in the housing by turning a quarter of a round and lift it out.
 Insert new electronics the opposite way and fasten the module.
 Demount the shade by loosening two side screws.
 Remove light source and demount socket housing by three screws.
 Tie a string to the lead that will follow in the tube when the socket house is pulled out. Tie the string to the lead from the new LED module and pull back through the tube.
 Fasten the LED by means of three screws. Connect the lead from the new LED module to electronics in the the lower housing.
 Connect mains and secure that moisture will be led away (swan's neck).
 Replace sealing and remount the lid.

We include a blank lable in the consignment. Write the old item number on the lable and attach it inside the luminaire.

Variants

LED module for Tema Bollard 1100, class I - without door				
Item No.	Light source	Select colour temperature and other options in the table below.		
1942-	12 W Bridgelux Vero 10, 350 mA			
1943-	16 W Bridgelux Vero 10, 500 mA			
Combine with:	Colour temperature		Dimming	
	927	2700 K, 90 Ra	V	1-10 V
	930	3000 K, 90 Ra	D	Dali
	940	4000 K, 90 Ra	E	programmable
Example:	1942-930D = 12 W LED module, 3000 K, 90 Ra, Dali, class I			
The above LED modules fit the following variants; old E-number in brackets:				
Rooted base:	71719 (49.47.531.971), 72719, 75729, 76719, 78719 (49.47.532.200), 78729 (49.47.532.912), 78829, 79719 (49.47.533.908), 7071, 7271, 7889, 7890			
Flanged base:	71749 (49.47.531.942), 72749, 75759, 76749, 78749 (49.47.532.271), 78759 (49.47.532.996), 78859, 79749 (49.47.533.940), 7074, 7274, 7874, 7875			