

Nyx 330 lantern

Design: Vilhelm Lauritzen Architects



NYX is a series of external luminaires for wall or column mounting. Nyx is the answer to today's demands for pleasant and well-defined light in urban areas.

Nyx 330 is available for post-top and wall mounting. Like the rest of the Nyx series, it comes in black, corten brown, and two grey colours suitable for galvanised standard columns. Made of cast silumin with frosted or opal-white polycarbonate shades, the luminaires are simple and safe and do not invite to vandalism.

The NYX luminaires are available with LED, and the shade edge being visible, it offers optical guidance.

NYX 330 is suitable for mounting on columns from three to six meters. The single lantern can be used on any type of column with a top diameter of 60 mm. Adapter for 48 and 42 mm posts available. Nyx 330 is also available for mid-post mounting of more lanterns on a Ø60 mm cylinder.

Two or more lanterns can be mounted on each column. Lanterns two-by-two will be the solution for low columns - images can be found at www.focus-lighting.dk.

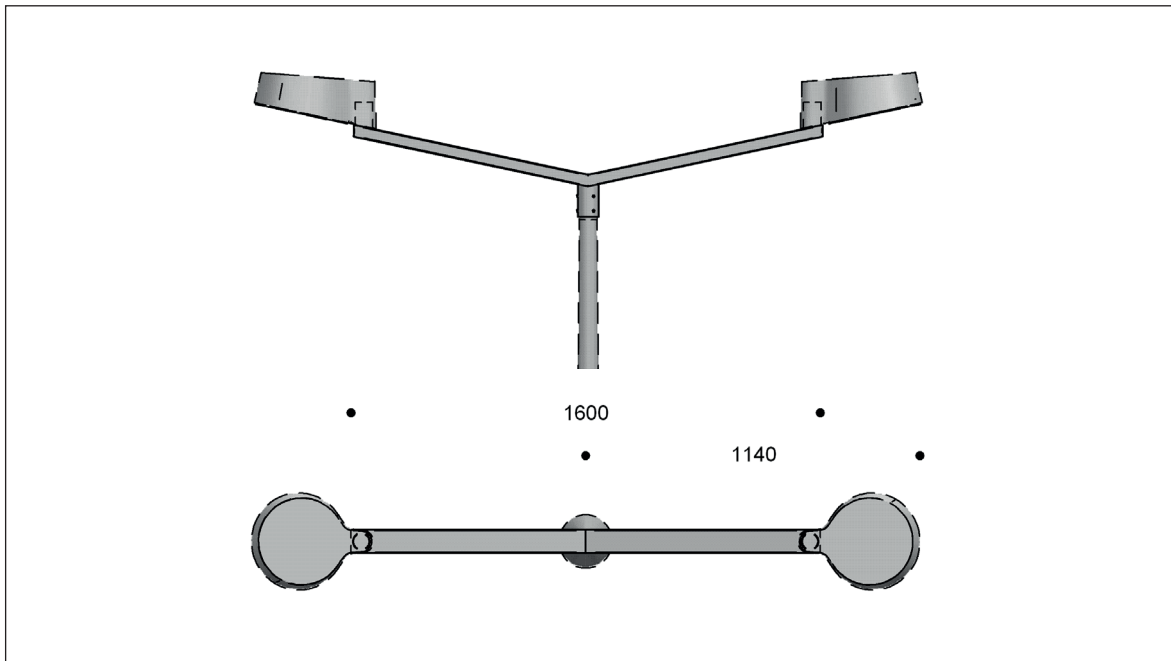
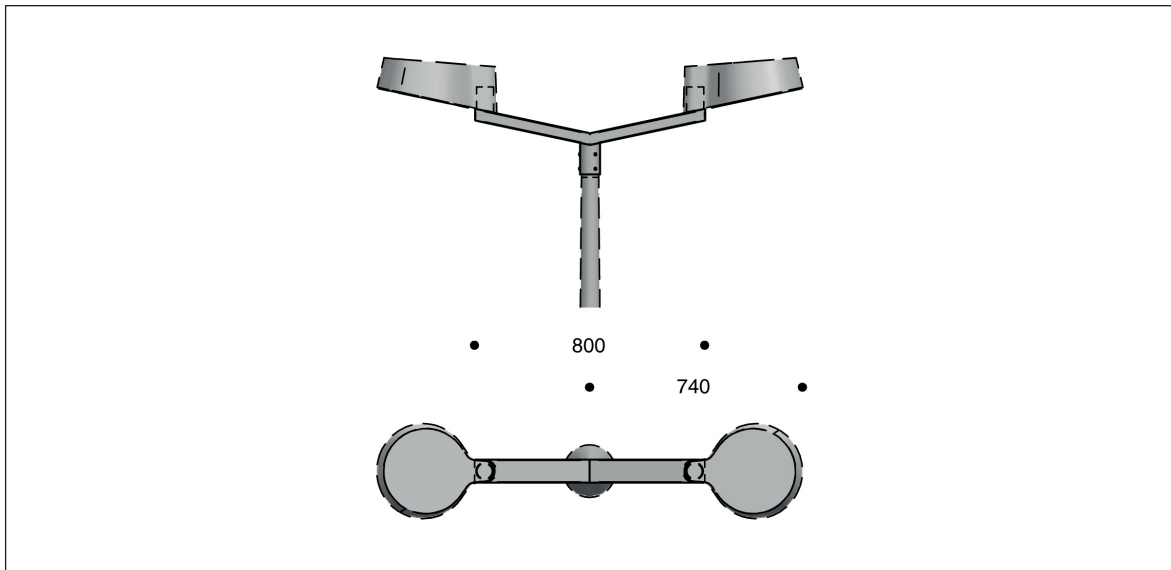
The Nyx 330 lantern can be mounted on a double arm, available in two sizes: 800 or 1600 mm. The standard version is in hot-dipped galvanised steel and can be powder coated in the same colours as the lanterns.



FOCUS-LIGHTING

Nyx 330 - double arm

8001-8002



Double arm for Nyx 330

Material: Hot-dipped galvanised steel
 Mounting: Onto 60 mm post top

Item No.	Description
8001-	Double arm, 2 x 400 mm
8002-	Double arm, 2 x 800 mm
Select colour in the table below.	
Colour	
3 = black, RAL 9005	
4 = graphite grey	
7 = galvanised	
9 = silver grey	
17 = corten brown	
66 = black, noir 900	
Example Order Code	8001-9 = 2 x 400 mm double arm for Nyx 330, silver grey

Find our sales partner in your country under Contacts at www.focus-lighting.dk