

Way - Showing the Way

Design: AART Designers



WAY is new in our range of street luminaires and is designed the Nordic way to avoid light pollution and discomfort glare.

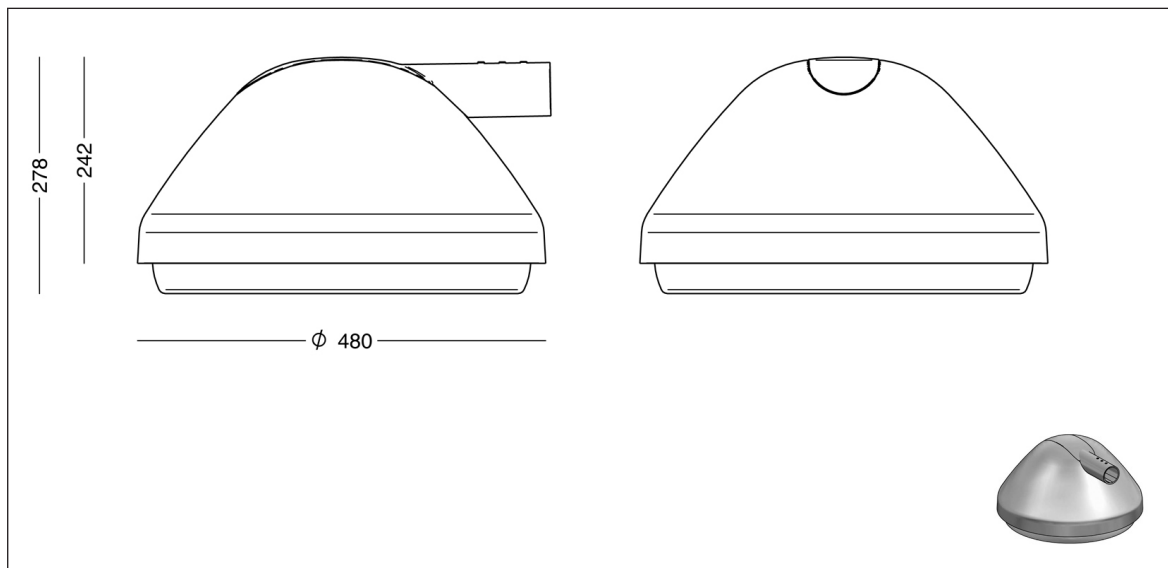
The flexible luminaire is available for top or side entry. It is made in cast aluminium with shade in clear, impact resistant PMMA (acrylate). The shade is parallel to the ground but has a protuberant, frosted edge, which will enhance optical guidance. Due to the unique design of the shade, discomfort glare is minimized.

WAY is available with circular or square LED boards with lens types for various applications. The luminaire fulfills European standards for street lighting.

WAY is available as park luminaire with round board without lenses. In this case a diffuser is included to ensure soft and homogeneous light.

Way - side entry - FastFlex + T3

Design: AART Designers



Luminaire specification:

Material:	Cast aluminium
Finish:	Raw anodized Graphite grey: YW355F Silver grey: Y2370I Corten brown: YX355F Black: Noir 900 Sablé, SN351F
Shade:	Clear, impact-resistant PMMA, coated on the edge
Mounting:	Side entry: Ø 48 or Ø 60 mm
Connection:	In the pole. The luminaire is delivered with lead: 10.5 m 2 x 1 mm ²
Classification:	IP66, class II
Impact resistance:	IK08
Corrosion class:	C4, C5 optional
Weight:	max 11 kg
Wind sweeping area:	0.11 m ² (laterally)

Driver specification:

Driver 3xFF:	Titanium Full Xi FP 75 W 0.2-0.7 A, program
Inrush current:	max 46 A (50% after 250 µs)
Operational input voltage:	80-264 Vac
Driver 4xFF:	Titanium Full Xi FP 165 W 0.2-0.7 A, program
Inrush current:	max 41 A (50% after 440 µs)
Operational input voltage:	160-264 Vac
Nominal voltage:	AC: 220-240 Vac, DC: 186-250 Vdc
Operational input voltage:	168-275 Vdc
Nominal input frequency:	50-60 Hz
Operational input frequency:	45-66 Hz
Max preprotection:	16 A
Surge protection:	L/N-GND: 10 kV, (SR driver: 8 kV), L-N: 6 kV
Operational life:	min 100,000 hours
Dimming/control:	5 steps dimming within the lumen intervals,
Alternatively:	DALI-2 (4/5-conductor cable), LineSwitch, or via Zhaga Book 18_socket

LED specification:

FastFlex LED:	3xFF-DA 2x6 or 4xFF-DA 2x8 with T3 lenses for local roads, P, HS, and C classes
Operational life:	min. 100,000 hours at ta max 25°, L90B10 Constant lumen output
Temperature range:	-30 to +35° C
Colour temperature:	2700, 3000, or 4000 Kelvin
Colour rendering:	min 70 Ra, 80 Ra optional
Colour accuracy:	5 steps SDCM
Luminous intensity:	G*4
Luminous flux:	The luminous flux range quoted below is from the LED light source. Apply output ratio in order to calculate luminous flux out of the luminaire.

LED-lumen, 3xFF:

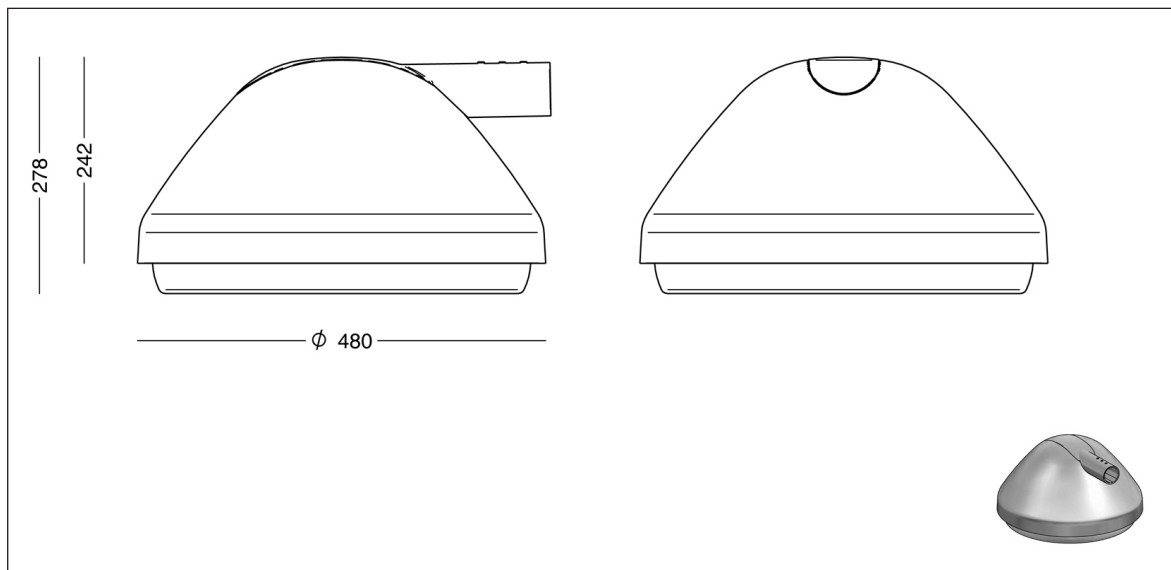
70 Ra:	3000K: 980-10100 lm, energy eff class D 4000K: 1060-10900 lm, energy eff class D
80 Ra:	2700K: 830-8550 lm, energy eff class E 3000K: 875-9000 lm, energy eff class E 4000K: 925-9550 lm, energy eff class D

LED-lumen, 4xFF:

70 Ra:	3000K: 1750-18000 lm, energy eff class D 4000K: 1900-19450 lm, energy eff class D
80 Ra:	2700K: 1500-15200 lm, energy eff class E 3000K: 1550-16000 lm, energy eff class E 4000K: 1650-16950 lm, energy eff class D
Output ratio:	84%

Way - side entry - FastFlex + T4

Design: AART Designers



Luminaire specification:

Material:	Cast aluminium
Finish:	Raw anodized Graphite grey: YW355F Silver grey: Y2370I Corten brown: YX355F Black: Noir 900 Sablé, SN351F
Shade:	Clear, impact-resistant PMMA, coated on the edge
Mounting:	Side entry: \varnothing 48 or \varnothing 60 mm
Connection:	In the pole. The luminaire is delivered with lead: 10.5 m 2 x 1 mm ²
Classification:	IP66, class II
Impact resistance:	IK08
Corrosion class:	C4, C5 optional
Weight:	max 11 kg
Wind sweeping area:	0.11 m ² (laterally)

Driver specification:

Driver 3xFF:	Titanium Full Xi FP 75 W 0.2-0.7 A, program
Inrush current:	max 46 A (50% after 250 μ s)
Operational input voltage:	80-264 Vac
Driver 4xFF:	Titanium Full Xi FP 165 W 0.2-0.7 A, program
Inrush current:	max 41 A (50% after 440 μ s)
Operational input voltage:	160-264 Vac
Nominal voltage:	AC: 220-240 Vac, DC: 186-250 Vdc
Operational input voltage:	168-275 Vdc
Nominal input frequency:	50-60 Hz
Operational input frequency:	45-66 Hz
Max preprotection:	16 A
Surge protection:	L/N-GND: 10 kV, (SR driver: 8 kV), L-N: 6 kV
Operational life:	min 100,000 hours
Dimming/control:	5 steps dimming within the lumen intervals,
Alternatively:	DALI-2 (4/5-conductor cable), LineSwitch, or via Zhaga Book 18_socket

LED specification:

FastFlex LED:	3xFF-DA 2x6 or 4xFF-DA 2x8 with T4 lenses for roundabouts
Operational life:	min. 100,000 hours at ta max 25°, L90B10 Constant lumen output
Temperature range:	-30 to +35° C
Colour temperature:	2700, 3000, or 4000 Kelvin
Colour rendering:	min 70 Ra, 80 Ra optional
Colour accuracy:	5 steps SDCM
Luminous intensity:	G*4
Luminous flux:	The luminous flux range quoted below is from the LED light source. Apply output ratio in order to calculate luminous flux out of the luminaire.

LED-lumen, 3xFF:

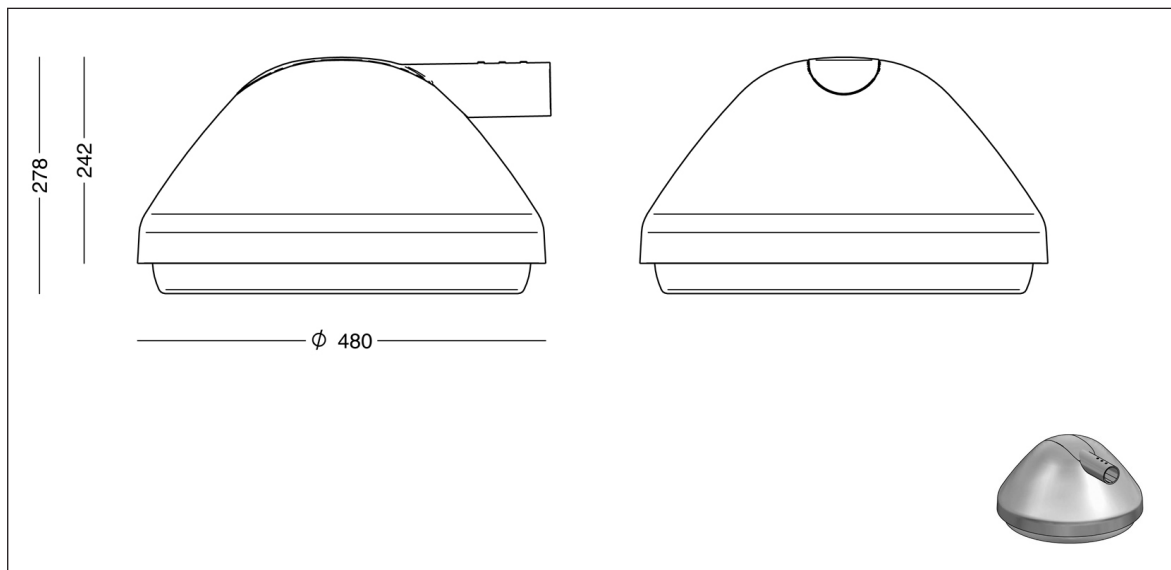
70 Ra:	3000K: 980-10100 lm, energy eff class D 4000K: 1060-10900 lm, energy eff class D
80 Ra:	2700K: 830-8550 lm, energy eff class E 3000K: 875-9000 lm, energy eff class E 4000K: 925-9550 lm, energy eff class D

LED-lumen, 4xFF:

70 Ra:	3000K: 1750-18000 lm, energy eff class D 4000K: 1900-19450 lm, energy eff class D
80 Ra:	2700K: 1500-15200 lm, energy eff class E 3000K: 1550-16000 lm, energy eff class E 4000K: 1650-16950 lm, energy eff class D
Output ratio:	81%

Way - side entry - FastFlex + MEW

Design: AART Designers



Luminaire specification:

Material:	Cast aluminium
Finish:	Raw anodized Graphite grey: YW355F Silver grey: Y2370I Corten brown: YX355F Black: Noir 900 Sablé, SN351F
Shade:	Clear, impact-resistant PMMA, coated on the edge
Mounting:	Side entry: \varnothing 48 or \varnothing 60 mm
Connection:	In the pole. The luminaire is delivered with lead: 10.5 m 2 x 1 mm ²
Classification:	IP66, class II
Impact resistance:	IK08
Corrosion class:	C4, C5 optional
Weight:	max 11 kg
Wind sweeping area:	0.11 m ² (laterally)

Driver specification:

Driver 3xFF:	Titanium Full Xi FP 75 W 0.2-0.7 A, program
Inrush current:	max 46 A (50% after 250 μ s)
Operational input voltage:	80-264 Vac
Driver 4xFF:	Titanium Full Xi FP 165 W 0.2-0.7 A, program
Inrush current:	max 41 A (50% after 440 μ s)
Operational input voltage:	160-264 Vac
Nominal voltage:	AC: 220-240 Vac, DC: 186-250 Vdc
Operational input voltage:	168-275 Vdc
Nominal input frequency:	50-60 Hz
Operational input frequency:	45-66 Hz
Max preprotection:	16 A
Surge protection:	L/N-GND: 10 kV, (SR driver: 8 kV), L-N: 6 kV
Operational life:	min 100,000 hours
Dimming/control:	5 steps dimming within the lumen intervals,
Alternatively:	DALI-2 (4/5-conductor cable), LineSwitch, or via Zhaga Book 18_socket

LED specification:

FastFlex LED:	3xFF-DA 2x6 or 4xFF-DA 2x8 with MEW lenses for traffic roads, M classes
Operational life:	min. 100,000 hours at ta max 25°, L90B10 Constant lumen output
Temperature range:	-30 to +35° C
Colour temperature:	2700, 3000, or 4000 Kelvin
Colour rendering:	min 70 Ra, 80 Ra optional
Colour accuracy:	5 steps SDCM
Luminous intensity:	G*6
Luminous flux:	The luminous flux range quoted below is from the LED light source. Apply output ratio in order to calculate luminous flux out of the luminaire.

LED-lumen, 3xFF:

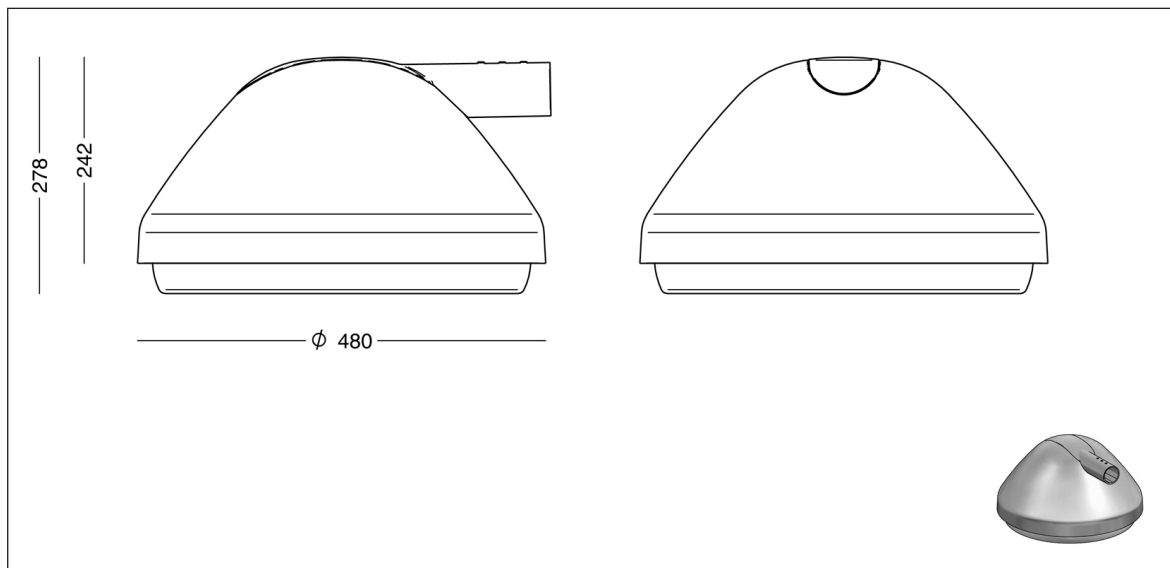
70 Ra:	3000K: 980-10100 lm, energy eff class D 4000K: 1060-10900 lm, energy eff class D
80 Ra:	2700K: 830-8550 lm, energy eff class E 3000K: 875-9000 lm, energy eff class E 4000K: 925-9550 lm, energy eff class D

LED-lumen, 4xFF:

70 Ra:	3000K: 1750-18000 lm, energy eff class D 4000K: 1900-19450 lm, energy eff class D
80 Ra:	2700K: 1500-15200 lm, energy eff class E 3000K: 1550-16000 lm, energy eff class E 4000K: 1650-16950 lm, energy eff class D
Output ratio:	83.5%

Way - side entry - FastFlex + PX

Design: AART Designers



Luminaire specification:

Material:	Cast aluminium
Finish:	Raw anodized Graphite grey: YW355F Silver grey: Y2370I Corten brown: YX355F Black: Noir 900 Sablé, SN351F
Shade:	Clear, impact-resistant PMMA, coated on the edge
Mounting:	Side entry: \varnothing 48 or \varnothing 60 mm
Connection:	In the pole. The luminaire is delivered with lead: 10.5 m 2 x 1 mm ²
Classification:	IP66, class II
Impact resistance:	IK08
Corrosion class:	C4, C5 optional
Weight:	max 11 kg
Wind sweeping area:	0.11 m ² (laterally)

Driver specification:

Driver 3xFF:	Titanium Full Xi FP 75 W 0.2-0.7 A, program
Inrush current:	max 46 A (50% after 250 μ s)
Operational input voltage:	80-264 Vac
Driver 4xFF:	Titanium Full Xi FP 165 W 0.2-0.7 A, program
Inrush current:	max 41 A (50% after 440 μ s)
Operational input voltage:	160-264 Vac
Nominal voltage:	AC: 220-240 Vac, DC: 186-250 Vdc
Operational input voltage:	168-275 Vdc
Nominal input frequency:	50-60 Hz
Operational input frequency:	45-66 Hz
Max preprotection:	16 A
Surge protection:	L/N-GND: 10 kV, (SR driver: 8 kV), L-N: 6 kV
Operational life:	min 100,000 hours
Dimming/control:	5 steps dimming within the lumen intervals,
Alternatively:	DALI-2 (4/5-conductor cable), LineSwitch, or via Zhaga Book 18_socket

LED specification:

FastFlex LED:	3xFF-DA 2x6 or 4xFF-DA 2x8 with PX lenses for pedestrian crossings
Operational life:	min. 100,000 hours at ta max 25°, L90B10 Constant lumen output
Temperature range:	-30 to +35° C
Colour temperature:	2700, 3000, or 4000 Kelvin
Colour rendering:	min 70 Ra, 80 Ra optional
Colour accuracy:	5 steps SDCM
Luminous intensity:	G*6
Luminous flux:	The luminous flux range quoted below is from the LED light source. Apply output ratio in order to calculate luminous flux out of the luminaire.

LED-lumen, 3xFF:

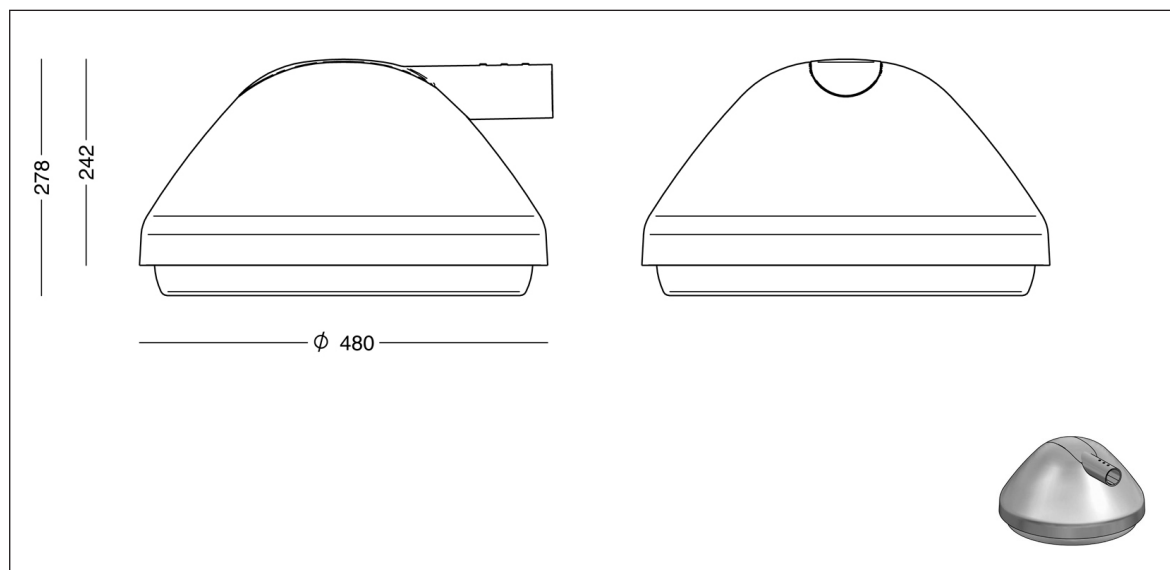
70 Ra:	3000K: 980-10100 lm, energy eff class D 4000K: 1060-10900 lm, energy eff class D
80 Ra:	2700K: 830-8550 lm, energy eff class E 3000K: 875-9000 lm, energy eff class E 4000K: 925-9550 lm, energy eff class D

LED-lumen, 4xFF:

70 Ra:	3000K: 1750-18000 lm, energy eff class D 4000K: 1900-19450 lm, energy eff class D
80 Ra:	2700K: 1500-15200 lm, energy eff class E 3000K: 1550-16000 lm, energy eff class E 4000K: 1650-16950 lm, energy eff class D
Output ratio:	83%

Way - side entry Ø48 - product codes

Design: AART Designers



Product codes:

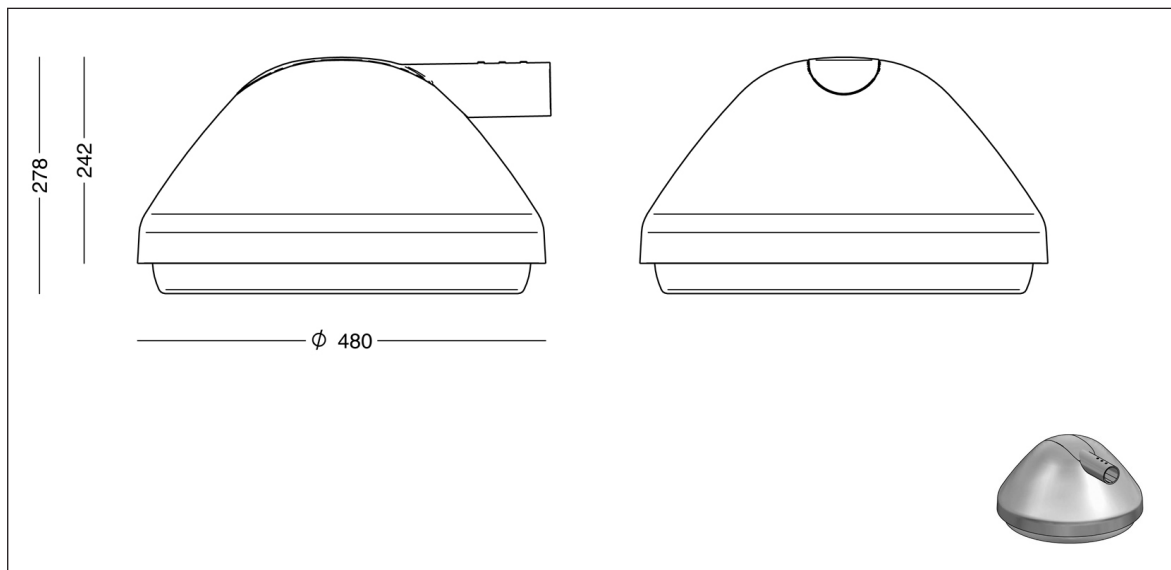
WAY side entry Ø48, FF-DA board with T3 lenses, local roads							
Item Nos.	Lamp type	Select colour, colour temperature, etc. in the table below.					
9810-	3xFF-DA 2x6, T3, programmable, 10.5 m lead						
9812-	4xFF-DA 2x8, T3, programmable, 10.5 m lead						
WAY side entry Ø48, FF-DA board with T4 lenses, roundabouts							
Item Nos.	Lamp type	Select colour, colour temperature, etc. in the table below.					
9813-	3xFF-DA 2x6, T4, programmable, 10.5 m lead						
9814-	4xFF-DA 2x8, T4, programmable, 10.5 m lead						
WAY side entry Ø48, FF-DA board with MEW lenses, traffic roads							
Item Nos.	Lamp type	Select colour, colour temperature, etc. in the table below.					
9815-	3xFF-DA 2x6, MEW, programmable, 10.5 m lead						
9816-	4xFF-DA 2x8, MEW, programmable, 10.5 m lead						
WAY side entry Ø48, FF-DA board with PX lenses, pedestrian crossings							
Item Nos.	Lamp type	Select colour, colour temperature, etc. in the table below.					
9817-	3xFF-DA 2x6, PX, programmable, 10.5 m lead						
9818-	4xFF-DA 2x8, PX, programmable, 10.5 m lead						
Combine with:	Colour	Colour temperature		Dimming/control		Protection class	
	01 raw anodized	730	3000 K, 70 Ra	empty	programmable *)	empty	class II
	4 graphite grey	740	4000 K, 70 Ra	D	DALI-2	J	class I
	9 silver grey	827*	2700 K, 80 Ra	F	LineSwitch		
	17 corten brown	830*	3000 K, 80 Ra	R	socket incl. SR driver, Zhaga book 18, upwards		
	66 black noir 900	840*	4000 K, 80 Ra	RC	socket incl. SR driver, City Touch		
			*) Longer lead times	S	socket incl. SR driver, Zhaga book 18, downwards		
	Corrosion protection						
	C5	C5 coating	In the case of extra corrosion protection, add C5 to the colour code; example: 9810-9C5730				
Example:	9810-9730JR = WAY for Ø48 side entry, 3 x FF-DA, lens type T3, silver grey, 3000 K 70 Ra, 10.5 m lead, cl. I, with Zhaga book 18 base						
*) programmable	When ordering, please state luminous flux as the required LED-lumen + dimming level + dimming period						
Example, profile:	12000 lm 50% 22-06 (fifty per cent dimming from 10 pm to 6 am)						

Find our sales partner in your country under Contacts at www.focus-lighting.dk

FOCUS-LIGHTING

Way - side entry Ø60 - product codes

Design: AART Designers



Product codes:

WAY side entry Ø60, FF-DA board with T3 lenses, local roads							
Item Nos.	Lamp type	Select colour, colour temperature, etc. in the table below.					
9870-	3xFF-DA 2x6, T3, programmable, 10.5 m lead						
9872-	4xFF-DA 2x8, T3, programmable, 10.5 m lead						
WAY side entry Ø60, FF-DA board with T4 lenses, roundabouts							
Item Nos.	Lamp type	Select colour, colour temperature, etc. in the table below.					
9873-	3xFF-DA 2x6, T4, programmable, 10.5 m lead						
9874-	4xFF-DA 2x8, T4, programmable, 10.5 m lead						
WAY side entry Ø60, FF-DA board with MEW lenses, traffic roads							
Item Nos.	Lamp type	Select colour, colour temperature, etc. in the table below.					
9875-	3xFF-DA 2x6, MEW, programmable, 10.5 m lead						
9876-	4xFF-DA 2x8, MEW, programmable, 10.5 m lead						
WAY side entry Ø60, FF-DA board with PX lenses, pedestrian crossings							
Item Nos.	Lamp type	Select colour, colour temperature, etc. in the table below.					
9877-	3xFF-DA 2x6, PX, programmable, 10.5 m lead						
9878-	4xFF-DA 2x8, PX, programmable, 10.5 m lead						
Combine with:	Colour	Colour temperature		Dimming/control		Protection class	
	01 raw anodized	730	3000 K, 70 Ra	empty	programmable *)	empty	class II
	4 graphite grey	740	4000 K, 70 Ra	D	DALI-2	J	class I
	9 silver grey	827*	2700 K, 80 Ra	F	LineSwitch		
	17 corten brown	830*	3000 K, 80 Ra	R	socket incl. SR driver, Zhaga book 18, upwards		
	66 black noir 900	840*	4000 K, 80 Ra	RC	socket incl. SR driver, City Touch		
			*) Longer lead times	S	socket incl. SR driver, Zhaga book 18, downwards		
	Corrosion protection						
	C5	C5 coating	In the case of extra corrosion protection, add C5 to the colour code; example: 9870-9C5730				
Example:	9870-9730JR = WAY for Ø60 side entry, 3 x FF-DA, lens type T3, silver grey, 3000 K 70 Ra, 10.5 m lead, cl. I, with Zhaga book 18 base						
*) programmable	When ordering, please state luminous flux as the required LED-lumen + dimming level + dimming period						
Example, profile:	12000 lm 50% 22-06 (fifty per cent dimming from 10 pm to 6 am)						

Find our sales partner in your country under Contacts at www.focus-lighting.dk