

Turn

Design: FRIIS & MOLTKE Design



Turn by Friis & Moltke Design is a new brand in the Focus program.

The luminaires in cast aluminium have silk-edged shades in clear glass. The housing is completed by a long ring in cast aluminium or a short, opal-white acrylate ring.

Turn is available as a spot with reflector or with optics for asymmetrical light.



Turn Spot is equipped with a long ring in cast aluminium for cut-off and antiglare.

Turn Spot Halo is equipped with a short, opal-white acrylate ring, opening the luminaire and offering optical guidance.

Both spots are equipped with reflector and LED with light distribution in three angles: narrow (12°), medium (19°), and wide (38°).

The spots can be adjusted horizontally around the post and vertically in the bracket. When holes have been bored in the post, the spots can be turned 90 degrees to both sides.

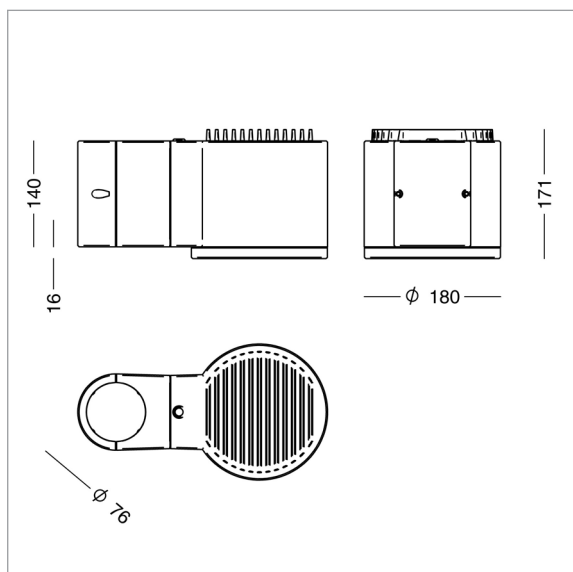


Turn Street Halo is available in one version only. The closing with the short, opal-white ring opens up for asymmetrical light onto cycling lanes and pedestrian areas.

The street luminaire will be equipped with programmed LED and lenses for asymmetrical light.

Turn Street Halo

Design: FRIIS & MOLTKE Design



Luminaire specification:

Material:	Cast aluminium and opal-white acrylate
Coating:	Raw anodized Graphite grey: YW355F Silver grey: Y2370I Corten brown: YX355F Black: Noir 900 Sablé, SN351F
Shade:	Clear glass with silk coating at the edge and opal-white acrylate ring
Mounting:	At conical post, or design post with 76 mm cylindrical extension. Adapter for 60 mm post optional
Lead:	8.5 m lead, 2 x 1 mm ² , is included
Connection:	In the post
Classification:	IP66, class II
Impact resistance:	IK08
Corrosion class:	C4, C5 optional
Wind sweeping area:	0.053 m ²
Weight:	5.8 kg

LED specification:

LED type:	1xDA 2x4, T3 lenses
Operational life:	min 100,000 hours at ta max 25°C, L90B10 Constant lumen output
Colour temperature:	2700, 3000, or 4000 Kelvin
Colour rendering:	min 80 Ra
Colour accuracy:	5 steps SDCM
Luminous flux:	The luminous flux range quoted below is from the LED light source. Apply output ratio in order to calculate luminous flux out of the luminaire.
LED-lumen:	2700K: 320-2500 lm, energy eff class E 3000K: 350-2700 lm, energy eff class D 4000K: 375-2800 lm, energy eff class D
Output ratio:	85.9 per cent

Driver specification:

Driver:	Titanium Full Xi FP 40 W 0.3-1.0 A, programmable
Inrush current:	max 22 A (50% after 290 µs)
Surge protection:	L/N-GND: 10 kV, (SR driver: 8 kV) L-N: 6 kV
Operational life:	min 100,000 hours
Dimming:	5-steps dimming within the lumen intervals,
Alternatively:	DALI-2 (4/5-conductor cable), LineSwitch, or via Zhaga book 18 socket

Product codes:

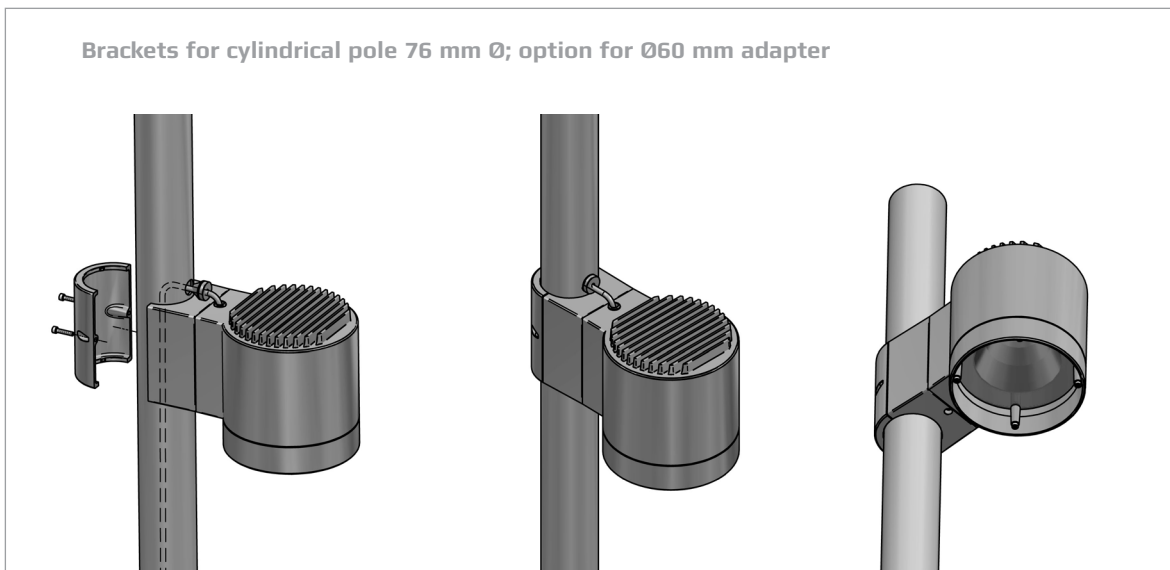
Turn Street Halo	Select colour, colour temperature, etc in the table below.						
Item No.	Lamp type						
8920-	1xDA 2x4, T3 lenses, programmable						
Combine with:	Colour		Colour temperature		Dimming/Control		Protection class
	01	raw anodized	827	2700 K, 80 Ra	empty	programmable *)	empty class II
	4	graphite grey	830	3000 K, 80 Ra	D	DALI-2	J class I
	9	silver grey	840	4000 K, 80 Ra	F	LineSwitch	
	17	corten brown			R	socket with SR driver, Zhaga book 18	
	66	black noir 900			RC	as above, City Touch / Interact City	
	Mounting		Corrosion protection				
	empty	brackets for cylindrical post	C5	C5 coating			
	B90	brackets for conical post, Ø60-90 mm	In case of extra corrosion protection, add C5 to the colour code; ex: 8920-9C5830				
	B121	brackets for conical post, Ø91-121 mm					
Example order code:	8920-9830J = Turn Street Halo, programmable, silver grey, 3000 K, 80 Ra, class I						
*) programmable	When ordering, please state luminous flux as the required LED-lumen + dimming level + dimming period						
Example, profile:	2700 lm 50% 22-06 (fifty per cent dimming from 10 pm to 6 am)						
Option							
1714-1	Adapter for Ø60 mm post						

Find our sales partner in your country under Contacts at www.focus-lighting.dk

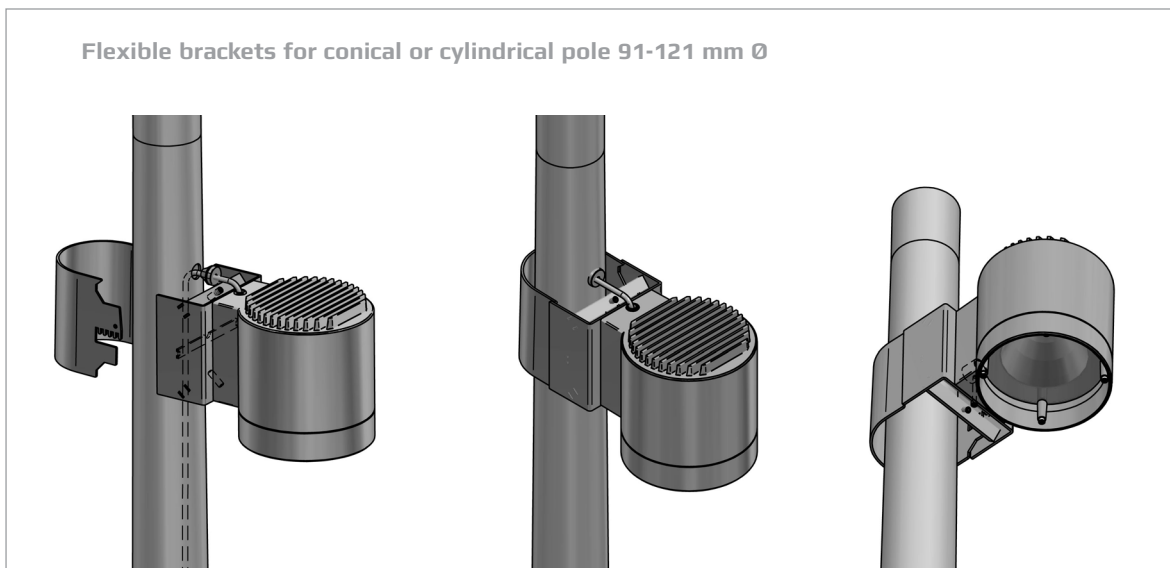
Turn - brackets for cylindrical or conical pole

Design: FRIIS & MOLTKE Design

Brackets for cylindrical pole 76 mm Ø; option for Ø60 mm adapter



Flexible brackets for conical or cylindrical pole 91-121 mm Ø



Flexible brackets for conical or cylindrical pole 60-90 mm Ø

