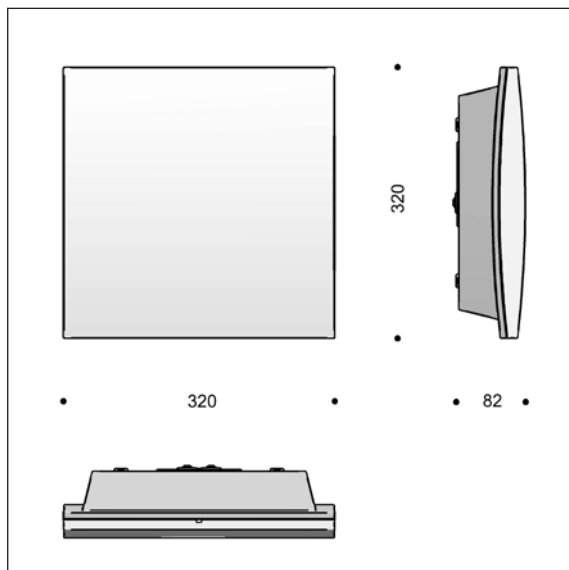


Stoa - LED

Design: AQDO



Luminaire specification:

Material:	cast aluminium
Diffuser:	opalised acrylic glass or polycarbonate
Mounting:	on wall or ceiling
Connection:	max two 1.5 mm ² cables into 5-pole 2.5 mm ² terminal block
Classification:	IP 54, class I, class II optional IK07
Weight:	2.4 kg
Lamp type:	LED

LED specification:

LED:	213 mm board
Total consumption:	10 or 14 W
Driver:	20 W LED driver, dimming optional
Operational life:	min 50,000 hours at ta 25°C
Colour temperature:	2700, 3000, or 4000 Kelvin
Energy eff. class:	2700 K: E - 3000, 4000 K: D
Colour rendering:	min 90 Ra
Output ratio:	62 per cent (acrylic glass) 75 per cent (polycarbonate)

Product codes:

STOA, LED									
Item Nos.	Lamp type	Select colour, screen type, colour temperature, and dimming in the table below.							
6830-	10 W LED, 350 mA								
6831-	14 W LED, 500 mA								
To be combined with:	Colour	Screen type		Colour temperature		Dimmable driver			
	1 white	A	acrylic glass	927	2700 K, 90 Ra	empty	no dimming		
	3 black	P	polycarbonate	930	3000 K, 90 Ra	V	1-10 V		
				940	4000 K, 90 Ra	D	Dali		
						S	switch		
Example Product code:	6830-1A930D = Stoa LED 10 W, white, acrylic screen, 3000 K 90 Ra, Dali dimming								