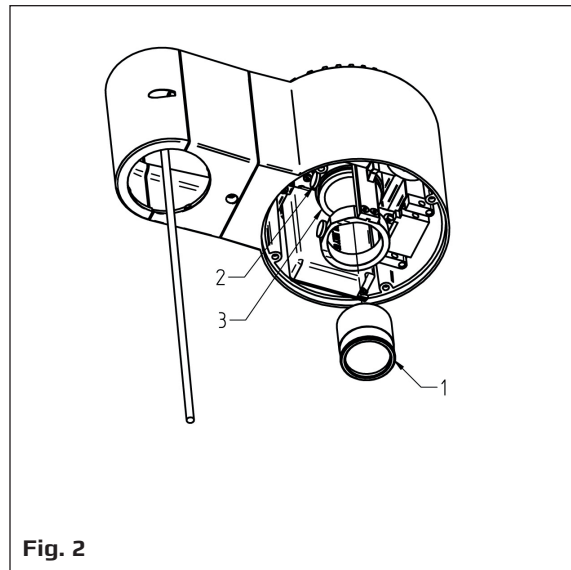
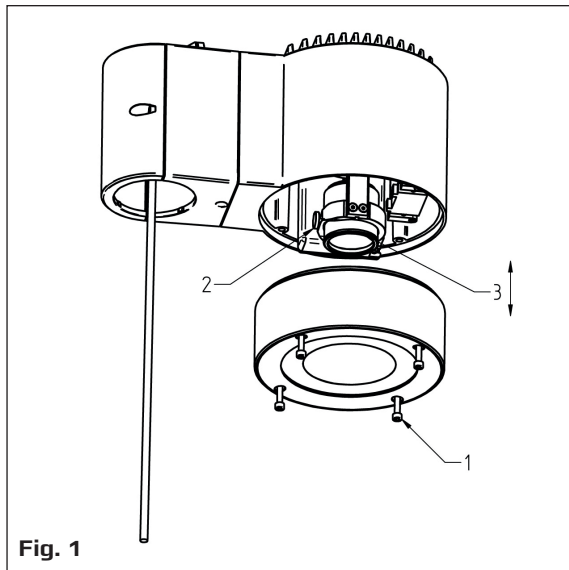


TURN GOBO - ADJUSTMENT OR INSTALLATION

8846-



OBS: Adjustment of the gobo cannot necessarily take place along with installing Turn Gobo. Adjustment should be made under the relevant ambient lighting conditions.

OBS: Do not touch the gobo glass without using gloves.

Fig. 1: Sharpness adjustment

Remove the lower part of the fitting by loosening the four screws (1) with a 4 mm hex key.

Loosen the lens, using the finger screw (2).

Adjust the position of the lens to the sharpness required (3).

Fasten the lens again, using the finger screw (2) and mount the lower part again.

Fig. 2: Change of direction or replacement of gobo

Remove the lower part of the fitting by loosening the four screws with a 4 mm hex key. (fig. 1).

Remove the lens (1) by loosening the lower finger screw.

Loosen the gobo holder by means of the upper finger screw (2).

Turn the gobo holder (3) into the required position, or remove holder and glass for replacement.

Fasten the gobo holder and lens and mount the lower part again.

Maintenance:

Clean the gobo glass regularly with a dry cloth made of micro fibre. Do not use liquid cleaners; they might damage the glass.

Do not touch the gobo glass without using gloves.