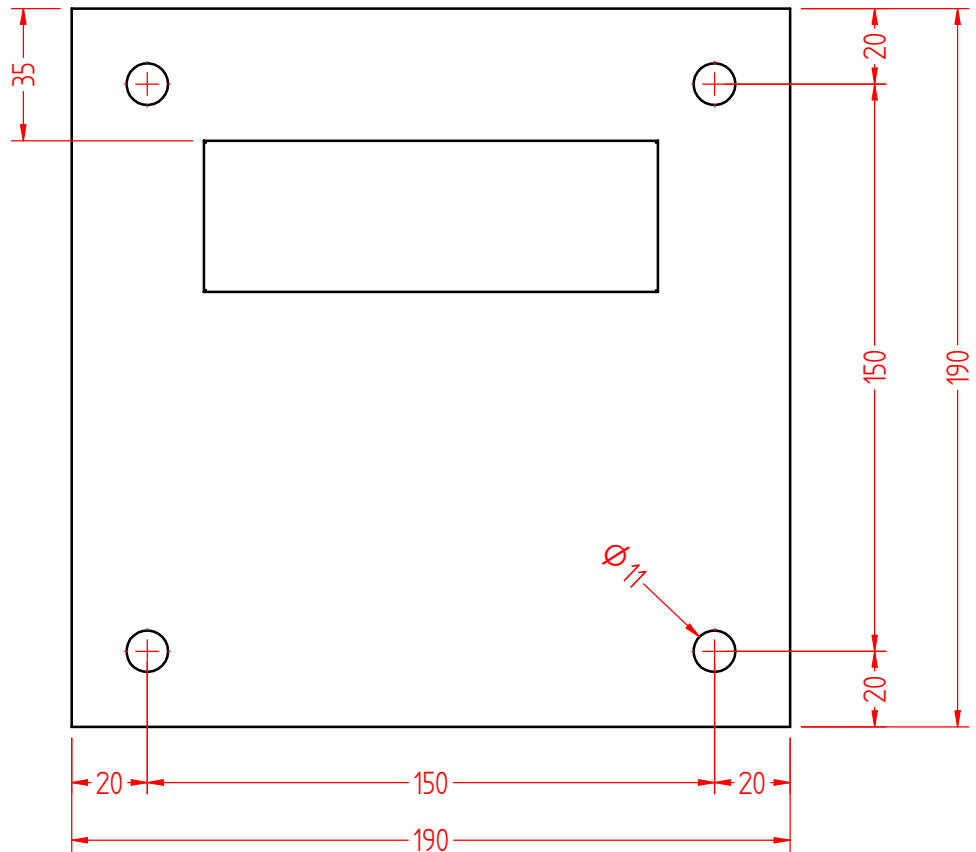


1:2



REV. DESCRIPTION	DATE	MADE BY
Unless otherwise specified, the tolerances specified below must be applied:	DATE 29-01-09	MADE BY D.C.
dim. from 0 10 30 100 300 1000 to 10 30 100 300 1000 - +/- 0,1 0,2 0,3 0,5 0,8 1,0 for angles +/- 0,2	SUBJECT Nyxstander på flange	
FOCUS-LIGHTING KOKKEDAL INDUSTRIPARK 40 DK - 2980 KOKKEDAL TLF 49 14 80 80 FAX 49 14 80 90		MATERIAL
ANY DISCLOSURE OF THIS DRAWING TO A THIRD PARTY IS SUBJECT TO THE APPROVAL OF FOCUS LIGHTING AS		DRAWING NO. REVISION NO.