

Turn

Design: FRIIS & MOLTKE Design



Turn by Friis & Moltke Design is a new brand in the Focus program.

The luminaires in cast aluminium have silk-edged shades in clear glass. The housing is completed by a long ring in cast aluminium or a short, opal-white acrylate ring.

Turn is available as a spot with reflector or with optics for asymmetrical light.



Turn Spot is equipped with a long ring in cast aluminium for cut-off and antiglare.

Turn Spot Halo is equipped with a short, opal-white acrylate ring, opening the luminaire and offering optical guidance.

Both spots are equipped with reflector and LED with light distribution in three angles: narrow (12°), medium (19°), and wide (38°).

The spots can be adjusted horizontally around the post and vertically in the bracket. When holes have been bored in the post, the spots can be turned 90 degrees to both sides.

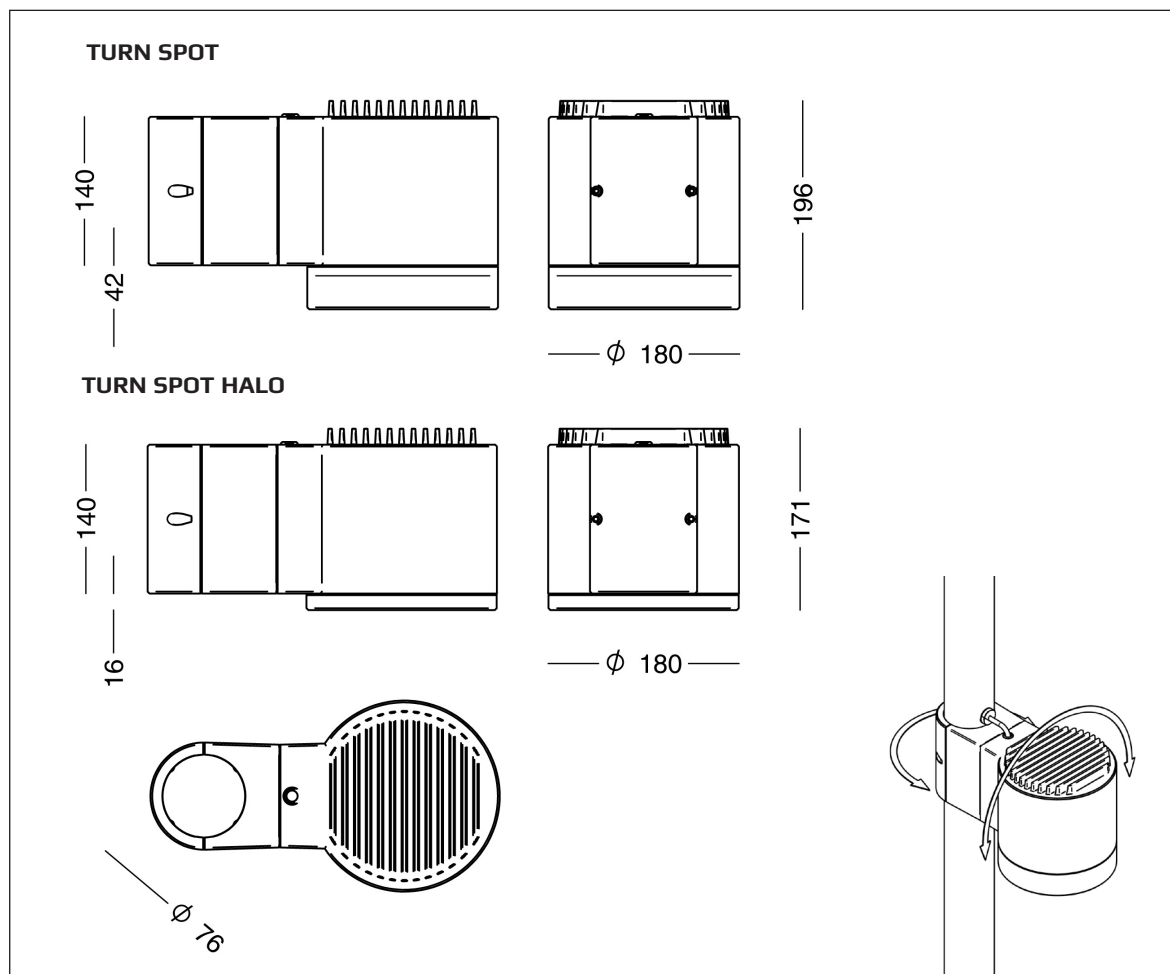


Turn Street Halo is available in one version only. The closing with the short, opal-white ring opens up for asymmetrical light onto cycling lanes and pedestrian areas.

The street luminaire will be equipped with programmed LED and lenses for asymmetrical light.

Turn Spot

Design: FRIIS & MOLTKE Design



Luminaire specification:

Material:	
Turn Spot:	Cast aluminium
Turn Spot Halo:	Cast aluminium and opal-white acrylate
Coating:	Raw anodized Graphite grey: YW355F Silver grey: Y2370I Corten brown: YX355F Black: Noir 900 Sablé, SN351F
Shade:	Clear glass with silk coating at the edge Honeycomb filter optional
Mounting:	At conical post, or design post with 76 mm cylindrical extension Adapter for 60 mm post optional
Lead:	8.5 m lead, 2 x 1 mm ² , is included
Connection:	In the post
Classification:	IP66, class II
Impact resistance:	IK08
Corrosion class:	C4, C5 optional
Wind sweeping area:	0.053 m ²
Weight:	6 kg

LED and driver specification:

LED:	Bridgelux V18
Beam angles:	wide (38°), medium (19°), or narrow (12°)
Operational life:	min 100,000 hours at ta max 25°C, L90B10 Constant lumen output
Colour temperature:	2700, 3000, or 4000 Kelvin
Colour rendering:	min 80 Ra
Colour accuracy:	3 steps SDCM
Luminous flux:	The luminous flux range quoted below is from the LED light source. Apply output ratio in order to calculate luminous flux out of the luminaire.
LED-lumen:	2700K: 400-4700 lm, energy eff class E 3000K: 410-5000 lm, energy eff class E 4000K: 425-5100 lm, energy eff class E
Driver:	Xitanium Full Xi FP 40 W 0.3-1.0 A, program.
Inrush current:	max 22 A (50% after 290 µs)
Surge protection:	L/N-GND: 10 kV (SR driver: 8 kV) L-N: 6 kV
Operational life:	min 100,000 hours
Dimming:	5-steps dimming within the lumen intervals,
Alternatively:	DALI-2 (4/5-conductor cable), LineSwitch, or via Zhaga book 18 socket

Turn Spot - Product Codes

Design: FRIIS & MOLTKE Design

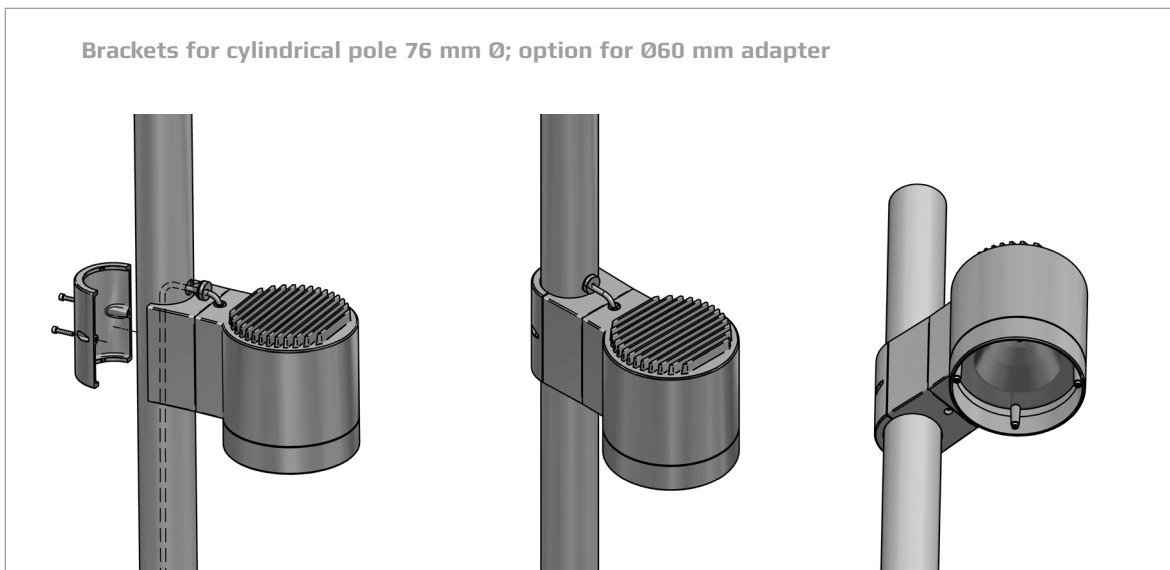
Product codes:

Turn Spot		Select colour, colour temperature, etc in the table below.					
Item No.	Beam angle	Lamp type					
8836-	Wide 38°	Bridgelux V18, programmable					
8837-	Medium 19°	Bridgelux V18, programmable					
8838-	Narrow 12°	Bridgelux V18, programmable					
Turn Spot Halo							
Item No.	Beam angle	Lamp type					
8840-	Wide 38°	Bridgelux V18, programmable					
8841-	Medium 19°	Bridgelux V18, programmable					
8842-	Narrow 12°	Bridgelux V18, programmable					
Combine with:	Colour	Colour temperature		Dimming/Control		Protection class	
	01 raw anodized	827	2700 K, 80 Ra	empty	programmable *)	empty	class II
	4 graphite grey	830	3000 K, 80 Ra	D	DALI-2	J	class I
	9 silver grey	840	4000 K, 80 Ra	F	LineSwitch		
	17 corten brown			R	socket with SR driver, Zhaga book 18		
	66 black noir 900			RC	as above, City Touch / Interact City		
	Filter	Mounting		Corrosion protection			
	empty no filter	empty	brackets for cylindrical post		C5	C5 coating	
	Y honeycomb filter	B90	brackets for conical post, Ø60-90 mm		In the case of extra corrosion protection, add C5 to the colour code; example: 8836-4C5830		
		B121	brackets for conical post, Ø91-121 mm				
Example order No.:	8836-9830J = Turn Spot, wide, programmable, silver grey, 3000 K, 80 Ra, class I						
*) programmable	When ordering, please state luminous flux as the required LED-lumen + dimming level + dimming period						
Example, profile:	4500 lm 50% 22-06 (fifty per cent dimming from 10 pm to 6 am)						
4 m post: 3 m conical + 1 m cylindrical extension Ø76 mm - for two fittings							
Item Nos.	Mounting		Select colour in the table below.				
3170-	rooted base						
3270-	flanged base						
5.5 m post: 3.5 m conical + 2 m cylindrical extension Ø76 mm - for three fittings							
Item Nos.	Mounting		Select colour in the table below.				
3172-	rooted base						
3272-	flanged base						
7 m post: 4 m conical + 3 m cylindrical extension Ø76 mm - for three or more fittings							
Item Nos.	Mounting		Select colour in the table below.				
3174-	rooted base						
3274-	flanged base						
Combine with:	Colour						
	4	graphite grey					
	7	galvanised					
	9	silver grey					
	17	corten brown					
	66	black noir 900					
Optional							
1714-1	Adapter for Ø60 mm post						
50200	Rooted base for Ø 108-140 mm post						
97033	Fuse box for 1 Neozed fuse up to 16 A						
97070	Fuse box for 2 Neozed fuses up to 16 A						
50271	Fuse box for 3 Neozed fuses up to 16 A						

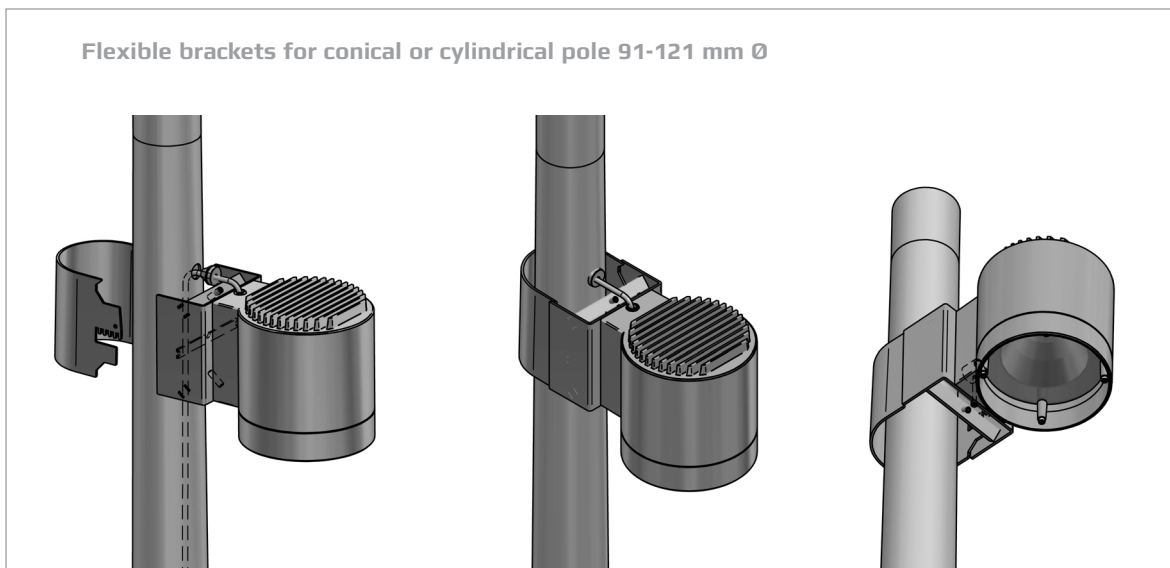
Turn - brackets for cylindrical or conical pole

Design: FRIIS & MOLTKE Design

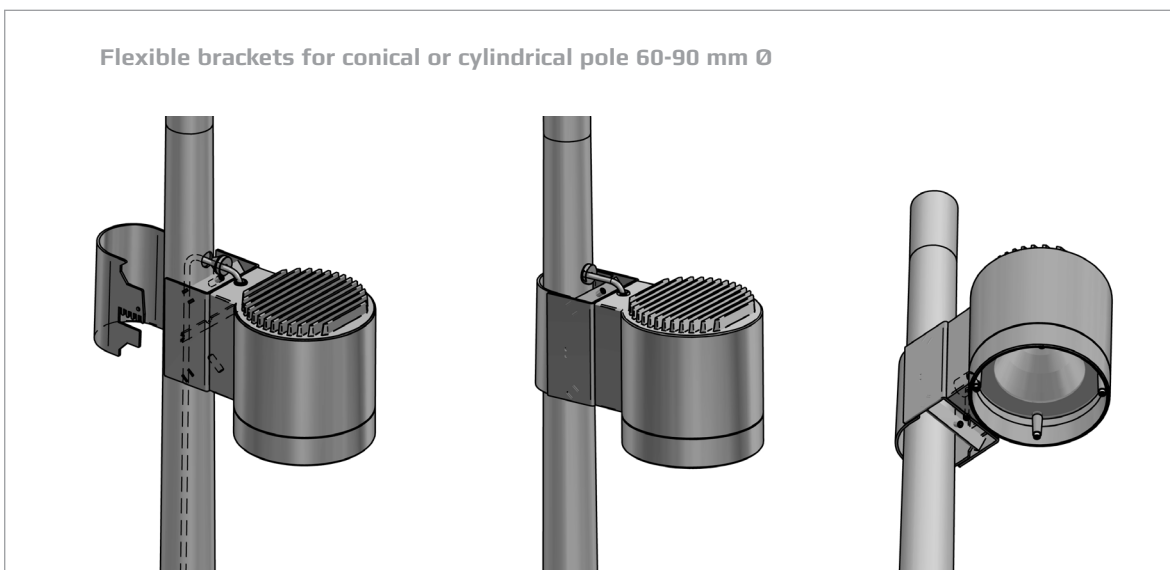
Brackets for cylindrical pole 76 mm Ø; option for Ø60 mm adapter



Flexible brackets for conical or cylindrical pole 91-121 mm Ø

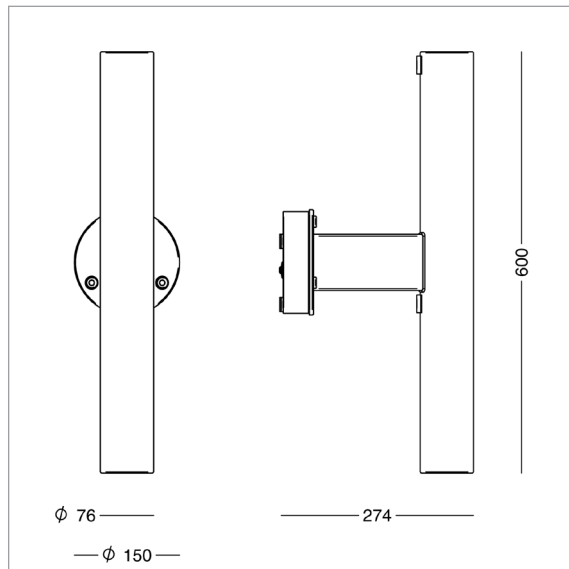
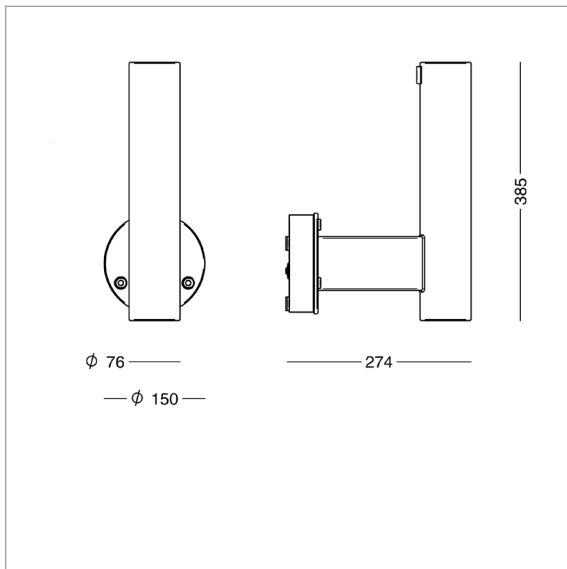
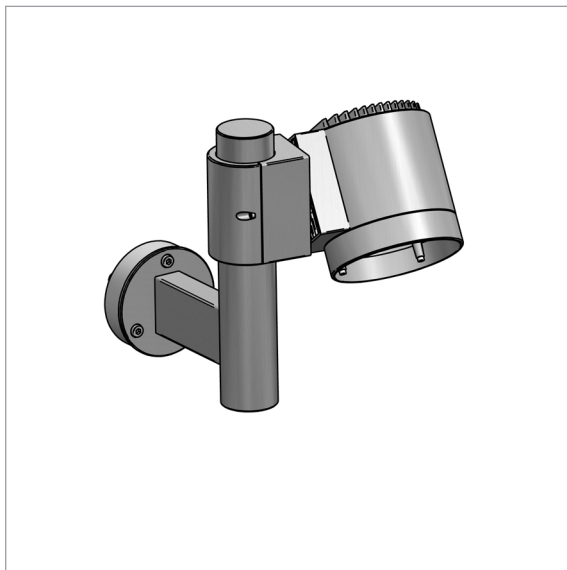


Flexible brackets for conical or cylindrical pole 60-90 mm Ø



Turn - wall mounting

Design: FRIIS & MOLTKE Design

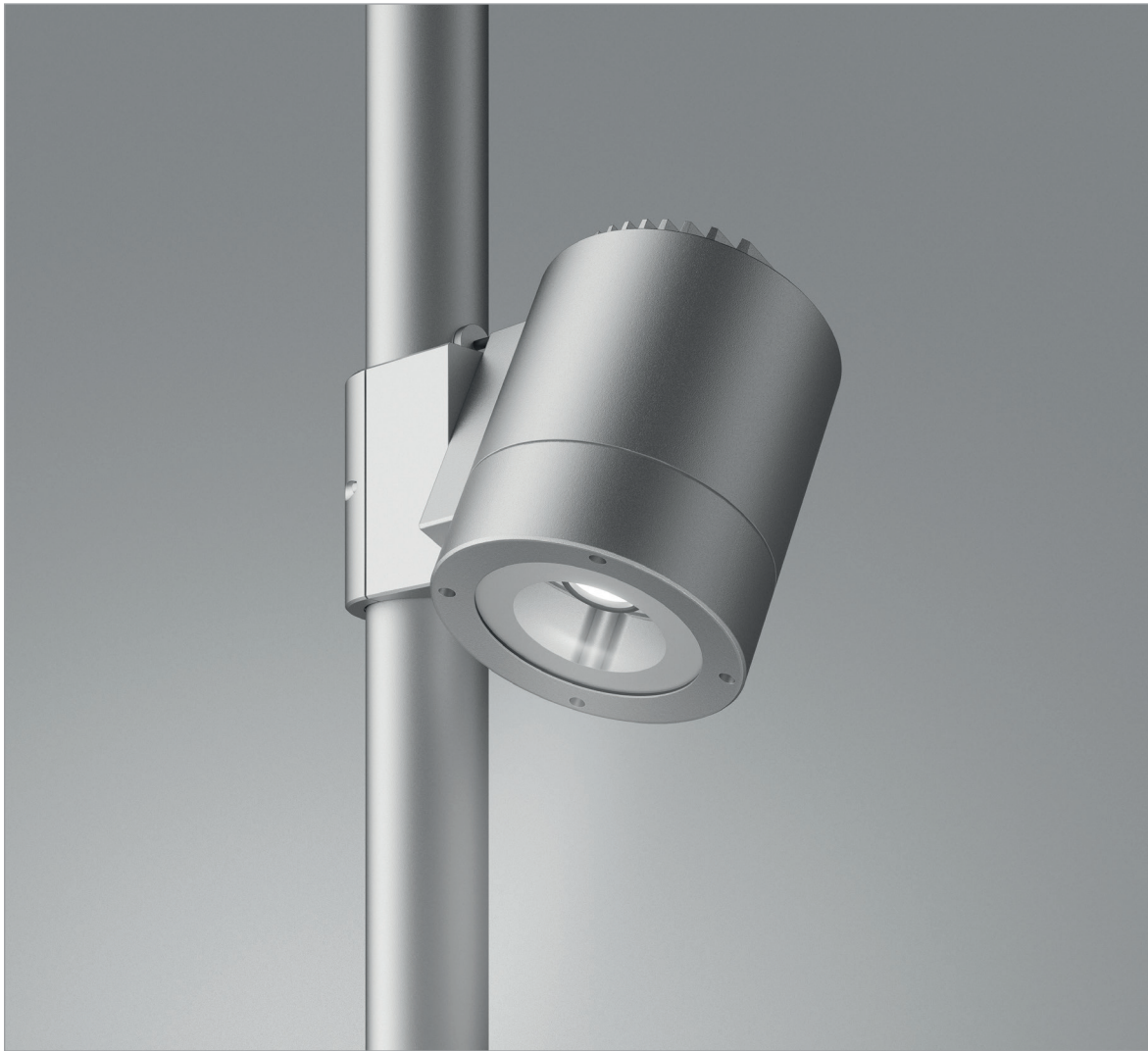


Product codes:

Turn - arms for wall mount		Select colour in the table below.
Item No.		
8011-	Arm, aluminium, for one fixture. Arm and fixture will be assembled by Focus Lighting.	
8012-	Arm, aluminium, for two fixtures. Arm and fixtures will be assembled by Focus Lighting.	
Combine with:	Colour	
	01 raw anodized	
	4 graphite grey	
	9 silver grey	
	17 corten brown	
	66 black noir 900	

Turn Gobo

Design: FRIIS & MOLTKE Design



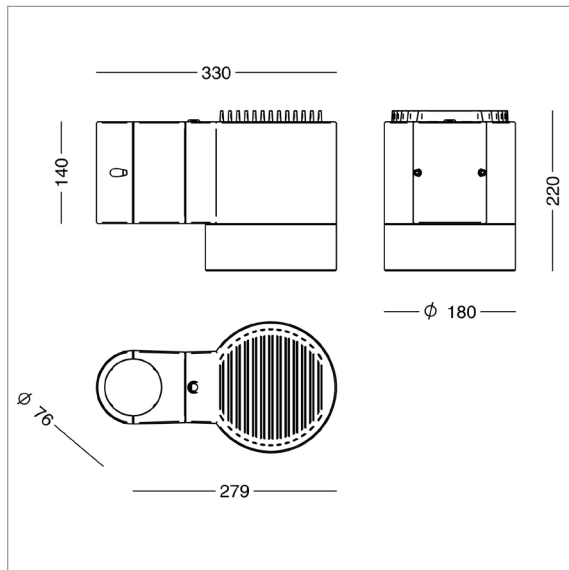
Product codes

Turn Gobo						
Item No.	Lamp type and lens					
8846-	40 W LED, 85 mm standard lens					
8848-	40 W LED, 63 mm wide lens					
To combine with:	Colour	Control		Protection class		Mounting
	01 raw anodized	D	DALI-2	empty	class II	empty brackets for cylindrical post
	4 graphite grey			J	class I	B90 brackets for conical post, Ø60-90 mm
	9 silver grey					B121 brackets for conical post, Ø91-121 mm
	17 corten brown	Corrosion protection				
	66 black noir 900	C5	C5 coating			
In case of extra corrosion protection, add C5 to the colour code; ex: 8846-9C5						
Gobo glass and colour filters - click for details						
8846-008	Gobo glass, black & white, 50 mm, image max 40 mm					
8846-0081	Gobo glass, black + 1 colour or colour temperature correction (3000 or 4000 K), 50 mm, image max 40 mm					
8846-0082	Gobo glass, 1 colour filter, 50 mm, image max 40 mm					
8846-0083	Gobo glass, 2 colour filters, 50 mm, image max 40 mm					
8846-0084	Gobo glass, 3 colour filters, 50 mm, image max 40 mm					
8846-0085	Gobo glass, multicolour 4c filters, 50 mm, image max 40 mm					
8846-0086	Gobo glass, greyscale, 50 mm, image max 40 mm					
Other accessories						
1714-1	Adapter for Ø60 post					

Find our sales partner in your country under Contacts at www.focus-lighting.dk

Turn Gobo - 85 mm

Design: FRIIS & MOLTKE Design



Luminaire specification:

Material:	Cast aluminium
Coating:	Raw anodized Graphite grey: YW355F Silver grey: Y2370I Corten brown: YX355F Black: Noir 900 Sablé, SN351F
Shade:	Clear glass with silk coating at the edge
Mounting:	76 mm post, adapter for 60 mm post optional
Lead:	8.5 m lead, 2 x 1 mm ² , is included
Connection:	In the post
Classification:	IP66, class II
Impact resistance:	IK08
Corrosion class:	C4, C5 optional
Wind sweeping area:	0.053 m ²
Weight:	6.8 kg
Cooling:	Active cooling, 25 dBA

LED and Gobo specification:

LED:	40 W
Operational life:	min 25,000 hours at ta max 25°C, L70
Colour temperature:	6300-6700 Kelvin Colour correction filters for 3000 and 4000 K available upon request

Distance to projection:	3-8 m
Lens:	85 mm standard

With 85 mm lens:

Distance to wall/ground/etc	4 m	6 m	8 m
Projection diameter	1.8 m	2.7 m	3.7 m

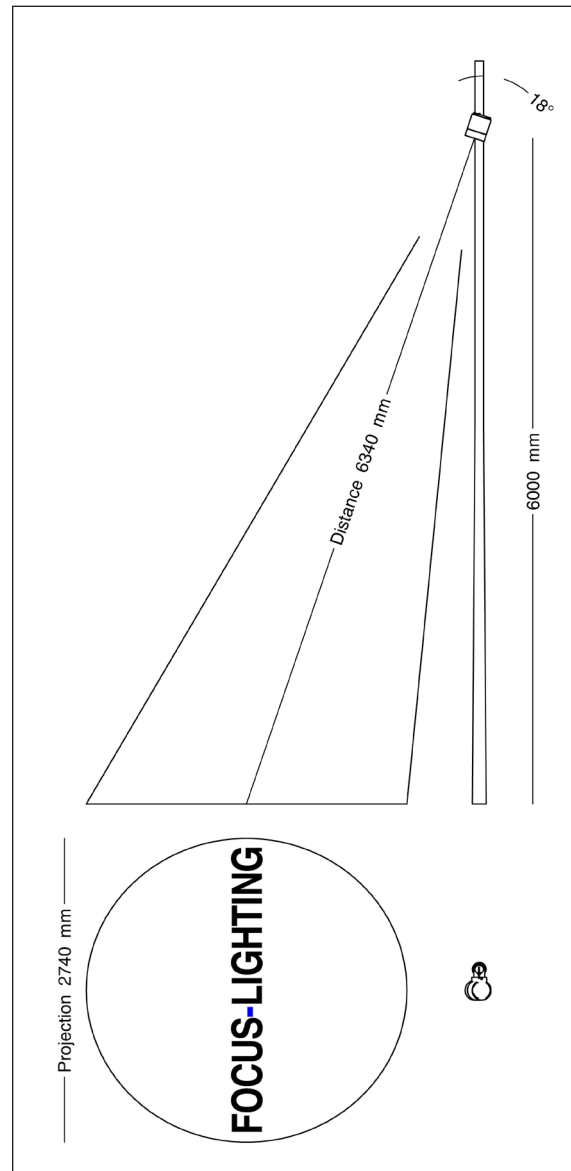
Focus Lighting supplies Gobo graphics according to your specifications - [click here for details and inspiration](#)

Position and adjustment of gobos:

Focus Lighting will position the gobo in the luminaire as shown to the right. If the gobo graphics are subject to orientation, they will meet the eye from the right side of the luminaire.

For adjustment and change of gobo, see Adjustment instructions.

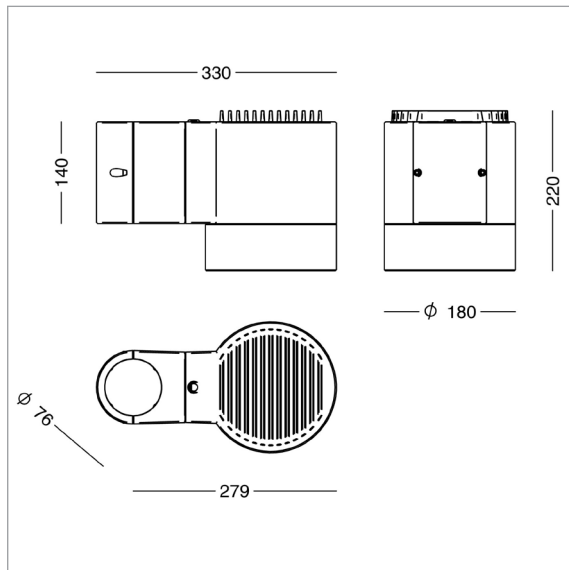
Diameter Gobo glass: 50 mm
Max diameter image: 40 mm



FOCUS-LIGHTING

Turn Gobo - 63 mm

Design: FRIIS & MOLTKE Design



Luminaire specification:

Material: Cast aluminium
 Coating: Raw anodized
 Graphite grey: YW355F
 Silver grey: Y2370I
 Corten brown: YX355F
 Black: Noir 900 Sablé, SN351F
 Shade: Clear glass with silk coating at the edge
 Mounting: 76 mm post, adapter for 60 mm post optional
 Lead: 8.5 m lead, 2 x 1 mm², is included
 Connection: In the post
 Classification: IP66, class II
 Impact resistance: IK08
 Corrosion class: C4, C5 optional
 Wind sweeping area: 0.053 m²
 Weight: 6.8 kg
 Cooling: Active cooling, 25 dBA

LED and Gobo specification:

LED: 40 W
 Operational life: min 25,000 hours at ta max 25°C, L70
 Colour temperature: 6300-6700 Kelvin
 Colour correction filters for 3000 and 4000 K available upon request

Distance to projection: 3-8 m
 Lens: 63 mm wide

With 63 mm lens:

Distance to wall/ground/etc	4 m	6 m	8 m
Projection diameter	2.5 m	3.7 m	5.1 m

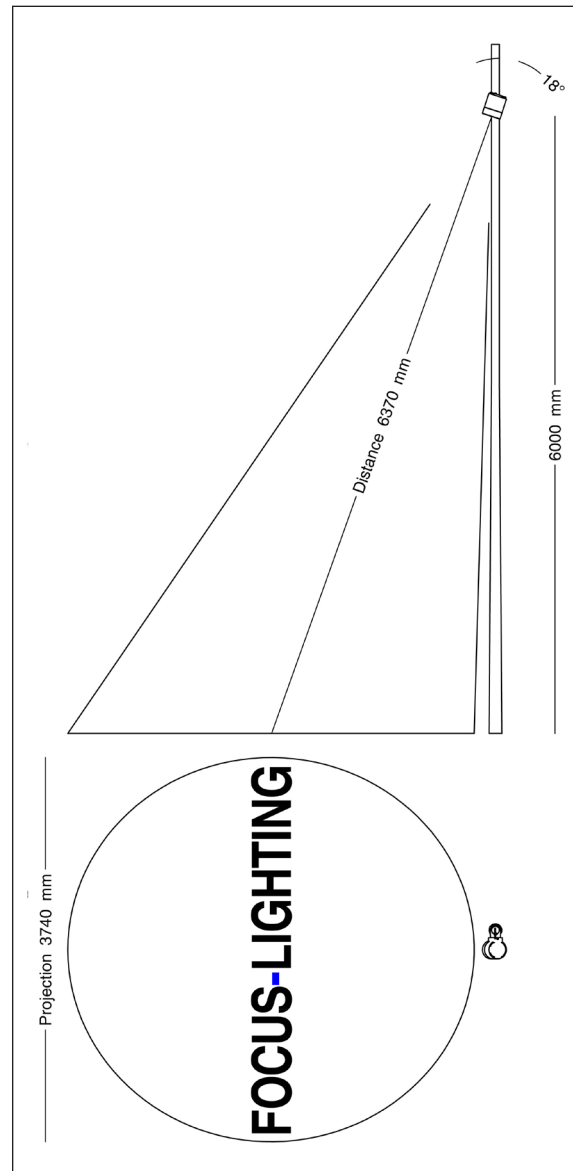
Focus Lighting supplies Gobo graphics according to your specifications - [click here for details and inspiration](#)

Position and adjustment of gobos:

Focus Lighting will position the gobo in the luminaire as shown to the right. If the gobo graphics are subject to orientation, they will meet the eye from the right side of the luminaire.

For adjustment and change of gobo, see Adjustment instructions.

Diameter Gobo glass: 50 mm
 Max diameter image: 40 mm



FOCUS-LIGHTING

Turn Spot & Turn Gobo

Design: FRIIS & MOLTKE Design



Combine **Turn Gobo** and **Turn Spot** for a flexible installation in Friis & Moltke's minimalistic design.

Find our sales partner in your country under Contacts at www.focus-lighting.dk

FOCUS-LIGHTING