

# Nyx 190

Design: Vilhelm Lauritzen Architects



The smallest luminaire in the Nyx family is Nyx 190 for wall or bollard mounting. As is the case with the other Nyx luminaires, Nyx 190 is available in two black, two grey colours, and the new corten brown.

With housing in cast silumin and screen in opalized polycarbonate, the luminaires are simple and resistant to vandalism. The bollard is available in two heights; 1000 or 1200 mm, the taller bollard being equipped with fuse box.

Lamp types are LED or E27 types.

In Greek mythology NYX is the goddess of the night, ruling over darkness - NYX gave birth to the day

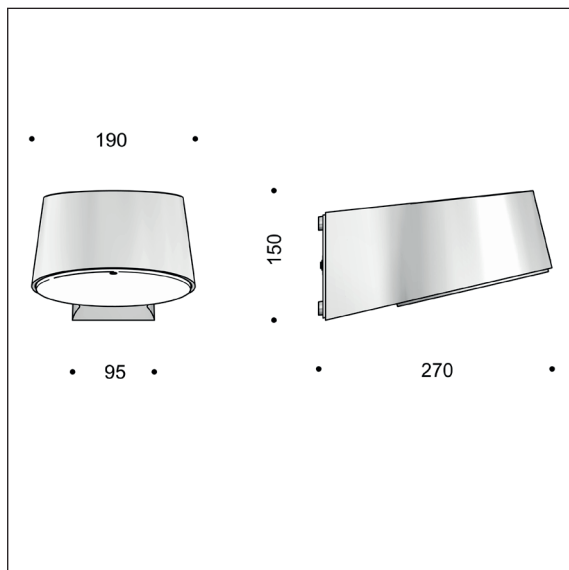


Find our sales partner in your country under Contacts at [www.focus-lighting.dk](http://www.focus-lighting.dk)

**FOCUS-LIGHTING**

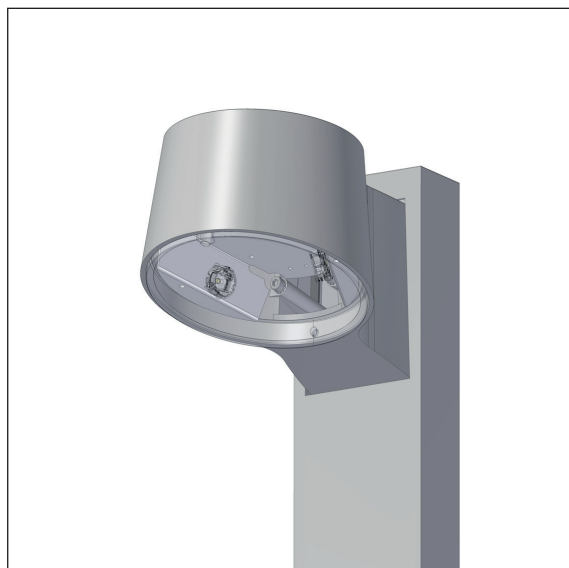
# Nyx 190 for bollard

Design: Vilhelm Lauritzen Architects



## Luminaire specification:

Material: cast aluminium  
 Coating: graphite grey: YW355F  
 silver grey: Y2370I  
 black: RAL 9005 or Noir 900 Sablé SN351F  
 corten brown: YX355F  
 Screen: polycarbonate, matt  
 Mounting: on bollard, double cable entry  
 Connection: max 5 x 2.5 mm<sup>2</sup> into terminal block  
 Classification: IP66, class I or II  
 Impact resistance: IK10  
 Weight: 2.6 kg  
 Lamp types: LED or E27 variants.  
 All lamp components as exchangeable modules.



## Lamp and driver specification:

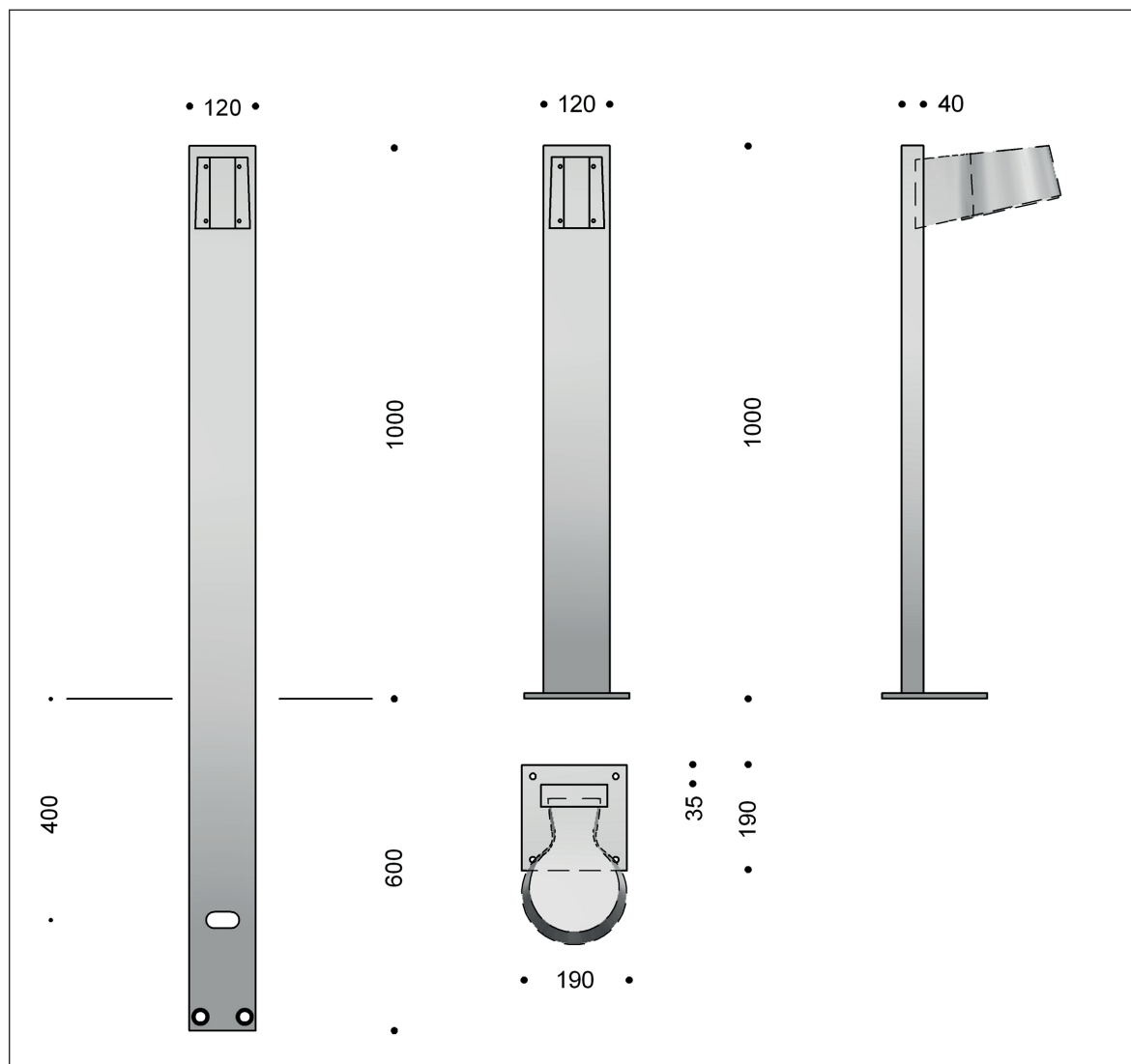
LED type: 2 x Bridgelux V6  
 Energy consumption: 6, 8, 11, or 15 W  
 Operational life: min 100,000 hours at ta max 25°C, L90B10  
 Colour temperature: 2700, 3000, or 4000 K, energy eff. class F  
 Colour rendering: min 90 Ra  
 Colour accuracy: 3 Steps SDCM  
 Output ratio: 59 per cent  
 Standard driver: TCI, 20 W, dimmable at extra charge  
 Inrush current: max 5 A (50% after 50 µs)  
 Operational life: min 100,000 hours  
 Programmable driver: Xitanium Full Xi FP 22 W, 0.3-1.0 A  
 Inrush current: max 14 A (50% after 400 µs)  
 Dimming: 5 steps within the lumen package  
 Surge protection: L/N-GND: 8 kV, L-N: 6 kV  
 Operational life: min 100,000 hours

## Product codes:

NYX 190 for bollard mounting, LED						
Item No.	Lamp type	Select colour, colour temperature, etc. in the table below.				
6889-	6 W Bridgelux V6, 250 mA					
6841-	8 W Bridgelux V6, 350 mA					
6842-	11 W Bridgelux V6, 500 mA					
6888-	15 W Bridgelux V6, 700 mA					
To be combined with:	Colour	Colour temperature	Dimming	Classification		
	3 black RAL 9005	927 2700 K, 90 Ra	empty no dimming	empty	class I	
	4 graphite grey	930 3000 K, 90 Ra	V 1-10 V	K	class II	
	9 silver grey	940 4000 K, 90 Ra	D Dali-2			
	17 corten brown		E programmable			
	66 black noir 900					
Example product code:	6841-9930K = Nyx 190 for bollard, 8 W V6, silver grey, 3000 K 90 Ra, no dimming, class II					

# Nyx Bollard 1000

Design: Vilhelm Lauritzen Architects



## Specification:

Material: powder-coated aluminium  
 Coating: graphite grey: YW355F, silver grey: Y2370I, black: RAL 9005, black: Noir 900 Sablé SN351F, corten brown: YX355F  
 Mounting: with rooted base for embedment or on flanged base; cables in the stand  
 Connection: in the fixture  
 Weight: 4-5 kg

## Product codes:

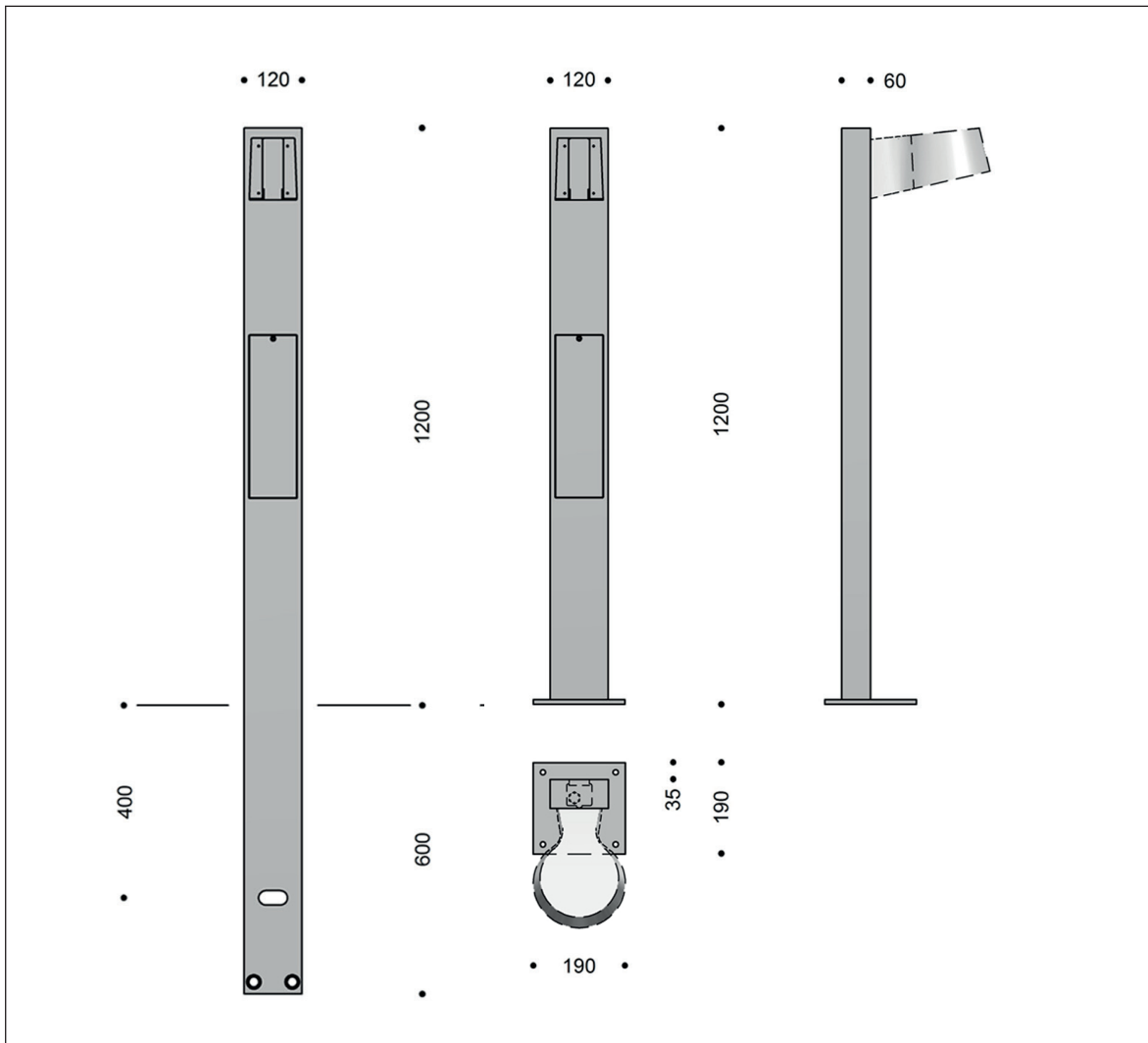
Item No.	Height: 1000 mm	Select colour in the table below.	
7021-	rooted base for embedment		
7022-	on flanged base		
To be combined with:	Colour	Classification	
	3 black RAL 9005	empty	class I
	4 graphite grey	K	class II
	9 silver grey		
	17 corten brown		
	66 black noir 900		
Example product code:	7021-4 = Nyx bollard 1000 for embedment, graphite grey,		

Find our sales partner in your country under Contacts at [www.focus-lighting.dk](http://www.focus-lighting.dk)

FOCUS-LIGHTING

# Nyx Bollard 1200

Design: Vilhelm Lauritzen Architects



## Specification:

Material: powder-coated aluminium  
 Coating: graphite grey: YW355F, silver grey: Y2370I, black: RAL 9005, black: Noir 900 Sablé SN351F, corten brown: YX355F  
 Mounting: with rooted base for embedment or on flanged base  
 Connection: in fuse box with 6A fuse box and the following cabling options:  
 Class I 2 cables 5 x 10 mm<sup>2</sup> or 3 cables 5 x 6 mm<sup>2</sup>  
 Class II 2 cables 4 x 10 mm<sup>2</sup> or 3 cables 4 x 6 mm<sup>2</sup>  
 Weight: 4.5-6 kg

## Product codes:

Item No.	Height: 1200 mm	Select colour and protection below.		
7023-	rooted base for embedment			
7024-	on flanged base			
To be combined with:	Colour	Classification		
	3 black RAL 9005	empty	class I	
	4 graphite grey	K	class II	
	9 silver grey			
	17 corten brown			
	66 black noir 900			
Example product code:	7023-4K = Nyx bollard 1200 for embedment, graphite grey, class II			

Find our sales partner in your country under Contacts at [www.focus-lighting.dk](http://www.focus-lighting.dk)

**FOCUS-LIGHTING**