

Sky Wall

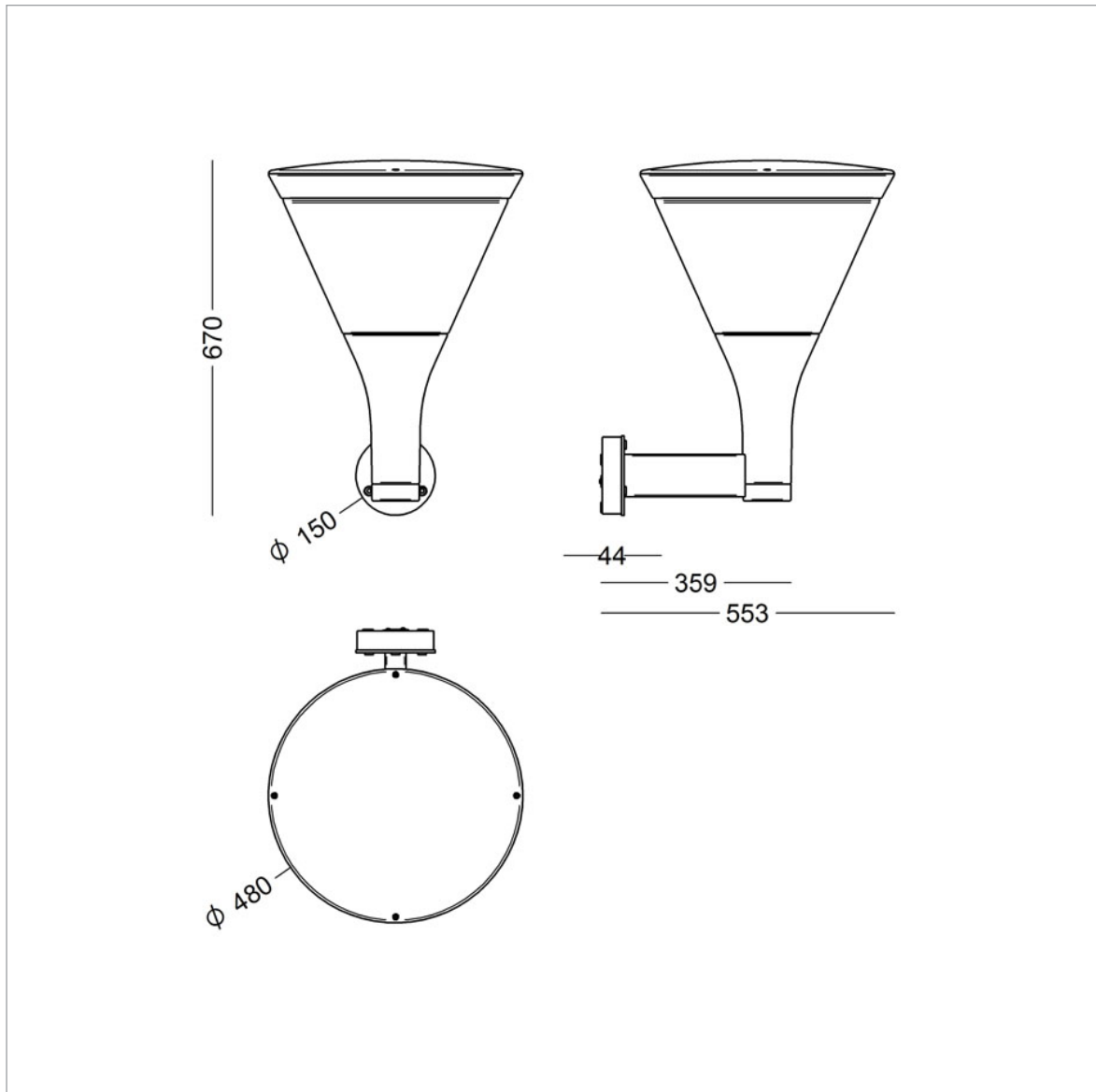
Design: AART Designers



In cooperation with AART Designers we have developed **SKY**, new park, wall, and bollard luminaires in Scandinavian design.

The light source, LED, is placed at the bottom of the luminaire, and the indirect light, reflected by the arched roof, is pleasant and non-glaring.

The rotational light from **SKY** creates a safe environment where also surroundings are illuminated. Waste light is limited by the roof plate.



Sky Wall

Design: AART designers

Luminaire specification:

Material:	Cast aluminium
Finish:	Raw anodized Graphite grey: YW355F Silver grey: Y2370I Corten brown: YX355F Black: Noir 900 Sablé SN351F
Diffuser:	Clear polycarbonate with UV-resistant acrylic
Mounting:	On wall
Connection:	5 x 2,5 mm ² into terminal block
Classification:	IP66, class II, use code for class I
Impact resistance:	IK10
Corrosion resistance:	C4, C5 optional
Weight:	9.7 kg
Wind sweeping area:	0.143 m ² (laterally)
Lamp type:	LED, exchangeable

Driver specification:

Low lumen, V18:

Driver:	Xitanium Full Xi FP 22 W 0.2-0.7 A, prgr.
Inrush current:	max 15 A (50% after 295 µs)

High lumen, V22:

Driver:	Xitanium Full Xi FP 40 W 0.3-1.0 A, prgr.
Inrush current:	max 22 A (50% after 290 µs)

Surge protection:	L/N-GND: 10 kV L-N: 6 kV
-------------------	-----------------------------

Service life:	min 100,000 hours
Dimming:	5 steps dimming within the lumen intervals, DALI-2 (4/5-conductor cable), Line switch

LED specification:

Low lumen:	Bridgelux V18
LED-lumen, Ra 80:	2700K: 325-3950 lm, energy eff class E 3000K: 325-4025 lm, energy eff class E 4000K: 325-4050 lm, energy eff class E
Ra 90:	3000K: 275-3000 lm, energy eff class F
High lumen:	Bridgelux V22
LED-lumen, Ra 80:	2700K: 625-6800 lm, energy eff class E 3000K: 625-6950 lm, energy eff class D 4000K: 650-7025 lm, energy eff class D 3000K: 525-5200 lm, energy eff class E
Ra 90:	
Output ratio:	rotation symmetrical: 74%
Luminous flux:	The luminous flux range quoted above is from the LED light source. Apply output ratio in order to calculate luminous flux out of the luminaire.
Service life:	min 100,000 hours at ta max 25°C, L90B10 Constant lumen output
Colour temperature:	2700, 3000, or 4000 Kelvin
Colour rendering:	min 80 Ra, typically 85 Ra option for 90 Ra, 3000K, with R9 = 72 (longer lead times for Ra 90)
Colour accuracy:	3 steps SDCM
Luminous intensity class:	G*1
Glare index class:	D6

Product codes

SKY Wall LED				
Item No.	Lamp type			
6834-	LED Bridgelux V18 Low lumen, programmable			
6839-	LED Bridgelux V22 High lumen, programmable			
Combine with:	Colour	Colour temperature	Dimming/control	Protection class
	01 raw anodized	827 2700 K, 80 Ra	empty programmable *)	empty class II
	4 graphite grey	830 3000 K, 80 Ra	D Dali-2	J class I
	9 silver grey	840 4000 K, 80 Ra	F LineSwitch	
	17 corten brown	930* 3000 K, 90 Ra		
	66 noir 900	* Longer lead times		
Corrosion protection				
C5	C5 coating	In the case of extra corrosion protection, add C5 to the colour code; example: 6834-66C5830		
Example Product code:	6834-9830J = Sky Wall LED Low lumen, silver grey, 3000 K 80 Ra, programmable, class I			
*) programmable	When ordering, please state luminous flux as the required LED-lumen + dimming level + dimming period			
Example, profile:	3000 lm 50% 22-06 (fifty per cent dimming from 10 pm to 6 am)			
Options				
8006-	Screen for asymmetrical light - powder-coated aluminium - select colour above			