

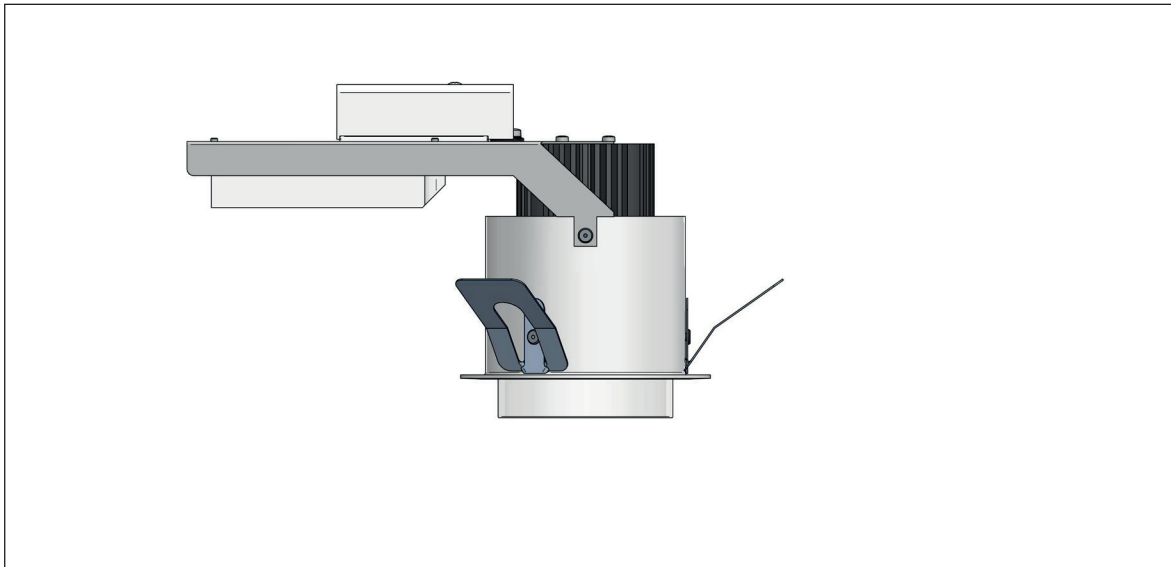
# Punkt Lamp 110

Design: focus lighting



The design of the **Punkt Lamp** is dominated by the inner shade in mouth-blown glass, spreading the light in a pleasant and beautiful way.

The new LED versions of the Focus Punkt Lamps combine diffuse light and spot light. Thus they meet the requirements of the European standard for general lighting in indoor work places. The LED is hidden behind a diffuser, and no inside components are visible. Furthermore, the diffuser contributes to an even illumination of the glass shade, and the visual appearance of the Punkt Lamp with LED fully matches that of the conventional incandescent lamps.



## Size:

110 mm diameter

Other Punkt Lamps: 65, 90, 150, and 200 mm

## Material:

Aluminium, white or grey metallic, and frosted glass

## Lamp types for Punkt Lamp 110:

LED

The 110 mm Punkt lamp is available with Bridgelux V8 LED. V8 is a compact light source with high output and true colour reproduction.

## Mounting:

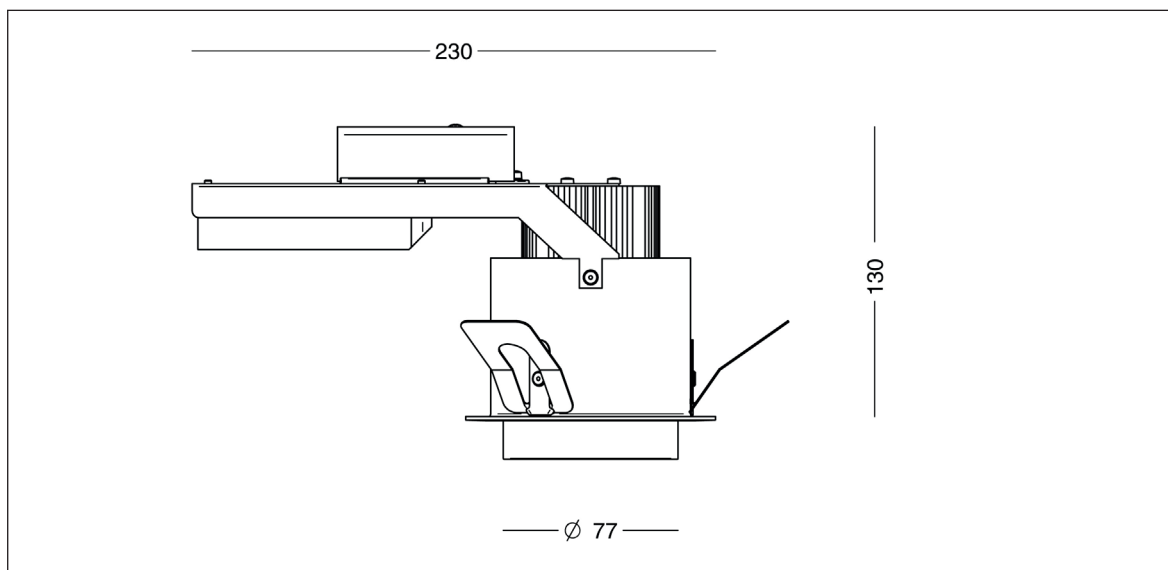
All Punkt lamps are approved for recession in various types of ceilings.

Punkt Lamp 110:

The fixture can be recessed into isolated ceiling.

# Punkt Lamp 110 - LED

Design: focus lighting



## Luminaire specification

Material:	Aluminium
Diffuser:	Opal-white glass cylinder
Mounting:	Recessed
Cut-out:	Ø 96-98 mm in 6-15 mm plates Ø 102-104 mm in 15-35 mm plates
Clearances:	Height: min 130 mm Horizontally: min 50 mm
Connection:	5-pole terminal block
Classification:	IP20, class I
Weight:	0.8 kg
Optional:	Ring for soft ceilings

## LED specification

LED type:	Bridgelux V8
Total consumption:	6 W, 8 W, (350 mA), alt. 11W (500 mA)
Service life:	min 100,000 hours at $t_a$ max 25°C, L90B10
Colour temperature:	2700, 3000, or 4000° Kelvin
Energy eff. class:	F
Colour rendering:	min 90 Ra
Colour accuracy:	3 steps SDCM
Driver:	Helvar LED driver Dimmable upon request
Service life:	min 50,000 hours

## Product codes

Punkt Lamp 110 LED					
Item No.	Lamp type	Select colour and colour temperature in the table below.			
2899-	6 W V8, 250 mA				
2892-	8 W V8, 350 mA				
2896-	11 W V8, 500 mA				
Combine with:	Colour	Colour temperature		Dimmable driver	
	2 white w. glass	927	2700 K, 90 Ra	empty	no dimming
	9 grey metallic w. glass	930	3000 K, 90 Ra	V	1-10 V
		940	4000 K, 90 Ra	D	Dali
	Example: 2892-2927D = Punkt Lamp 110, 8 W LED, 2700 K, white w. glass, Dali dimming				
<b>Extra</b>					
2020-20	Ring for soft ceilings				