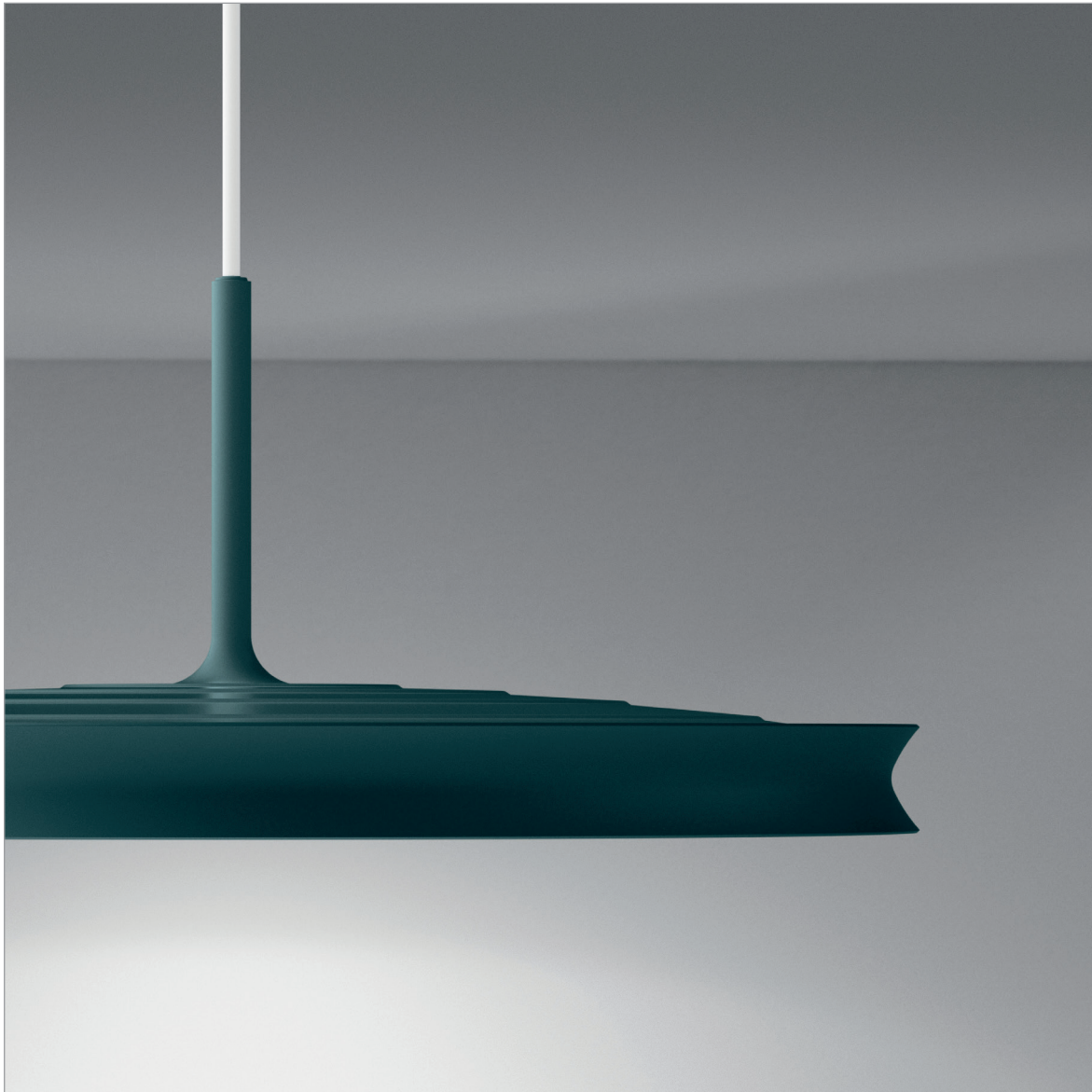


# Yoyo - pendant

Design: C.F. Møller Architects



**Yoyo** is a range of elegant interior light fixtures with low height.

C.F. Møller Architects are the masters of Yoyo's elegant design with distinct curves and slim profiles. Concluded by sharp profiles at both ends, the characteristic parable results in a unique and sculptural look and the impression of a floating luminaire.

Being edge lit the Yoyo fixtures are free from dots and shadows from other components. The light from the edge is guided through the LGP and sent downwards by the top reflector.

Shades for Yoyo are opalised or microprismatic, and the latter is elegant without visible prisms.

**Types:**

For wall or ceiling, uplight optional  
Pendants

**Sizes:**

Diameter: 225, 350, or 535 mm  
Diameter pendant: 535 or 350 mm

**Finish:**

Various RAL colours

**Lighting:**

LED: Edge Lit, exchangeable  
Top reflector + light guide plate (LGP)

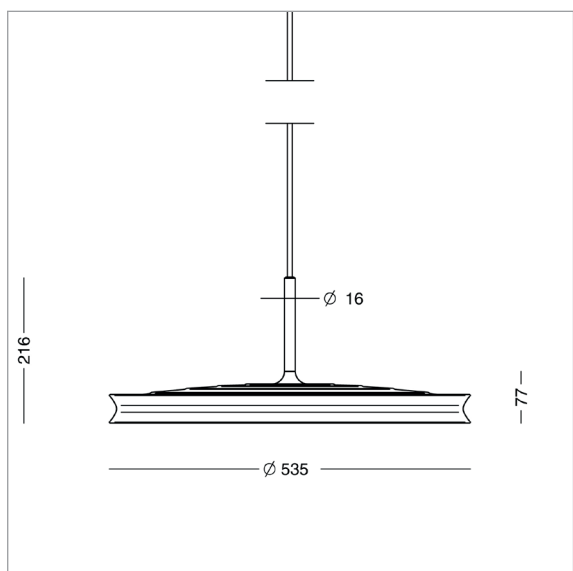
# Yoyo 535 - pendant

Design: C.F. Møller Architects



## Luminaire specification:

Material:	Cast aluminium
Colour, G20:	white RAL9010, black RAL9005, alu-grey RAL9006, yellow RAL1032, orange RAL2003, blue-green RAL6004, squirrel grey RAL7000
Shade:	Acrylate (PMMA), opalised or micro prismatic
Lead:	3 m white or black PKAJ
Classification:	IP20, class I
Weight:	4.2 kg
Lamp type:	LED, exchangeable



## LED and driver specification:

LED:	Edge Lit
Total consumption:	26-36 W
Operational life:	min 50,000 hours at ta 25°C L80B10
Colour temperature:	2700, 3000, or 4000 Kelvin
Energy eff. class:	2700 K: F 3000 and 4000 K: E
Colour rendering:	min 90 Ra
Colour accuracy:	3 Steps SDCM
Driver:	500-700 mA, option for dimmable driver
Operational life:	50,000 hours

## Product codes:

YOYO 535 - pendant							
Item No.	Lamp type		Select colour, colour temperature, etc. in the table below.				
1850-	26 W LED, 500 mA						
1851-	36 W LED, 700 mA						
Combine with:	Colour	Shade		Colour temperature		Dimming/Control	
	1 white RAL 9010	empty	PMMA opalised	927	2700 K, 90 Ra	empty	no dimming
	3 black RAL 9005	M	PMMA micro prismatic	930	3000 K, 90 Ra	D	Dali-2
	19 alu-grey RAL 9006			940	4000 K, 90 Ra	R	bluetooth sensor
	102 yellow RAL 1032			9WD*	TW, Dali, 90 Ra	T	Triac (350 mA)
	103 orange RAL 2003			*) longer lead times		V	1-10 V
	104 blue-green RAL 6004					<b>Colour of lead</b>	
	105 squirrel grey RAL 7000					empty	white
						Y	black
Example Item No.:	1851-19M930D = Yoyo 535 pendant, 36 W, alu-grey, prismatic shade, 3000 K 90 Ra, Dali, white lead						

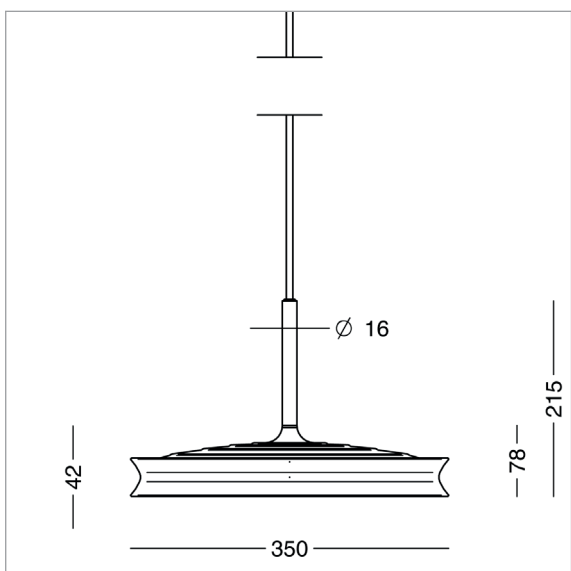
# Yoyo 350 - pendant

Design: C.F. Møller Architects



## Luminaire specification:

Material:	Cast aluminium
Colour, G20:	white RAL9010, black RAL9005, alu-grey RAL9006, yellow RAL1032, orange RAL2003, blue-green RAL6004, squirrel grey RAL7000
Shade:	Acrylate (PMMA), opalised or micro prismatic
Lead:	3 m white or black PKAJ
Classification:	IP20, class I
Weight:	2.2 kg
Lamp type:	LED, exchangeable



## LED and driver specification:

LED:	Edge Lit
Total consumption:	16-23 W
Operational life:	min 50,000 hours at ta 25°C L80B10
Colour temperature:	2700, 3000, or 4000 Kelvin
Energy eff. class:	2700 K: F 3000 and 4000 K: E
Colour rendering:	min 90 Ra
Colour accuracy:	3 Steps SDCM
Driver:	500-700 mA, option for dimmable driver
Operational life:	50,000 hours

## Product codes:

YOYO 350 - pendant							
Item No.	Lamp type	Select colour, colour temperature, etc. in the table below.					
1853-	16 W LED, 500 mA						
1854-	23 W LED, 700 mA						
Combine with:	<b>Colour</b>	<b>Shade</b>		<b>Colour temperature</b>		<b>Dimming/Control</b>	
	1 white RAL 9010	empty	PMMA opalised	927	2700 K, 90 Ra	empty	no dimming
	3 black RAL 9005	M	PMMA micro prismatic	930	3000 K, 90 Ra	D	Dali-2
	19 alu-grey RAL 9006			940	4000 K, 90 Ra	R	bluetooth sensor
	102 yellow RAL 1032			9WD*	TW, Dali, 90 Ra	T	Triac (500 mA)
	103 orange RAL 2003			*) longer lead times		V	1-10 V
	104 blue-green RAL 6004					<b>Colour of lead</b>	
	105 squirrel grey RAL 7000					empty	white
						Y	black
Example Item No.:	1853-1M927D = Yoyo 350 pendant, 16 W, white, prismatic shade, 2700 K 90 Ra, Dali, white lead						