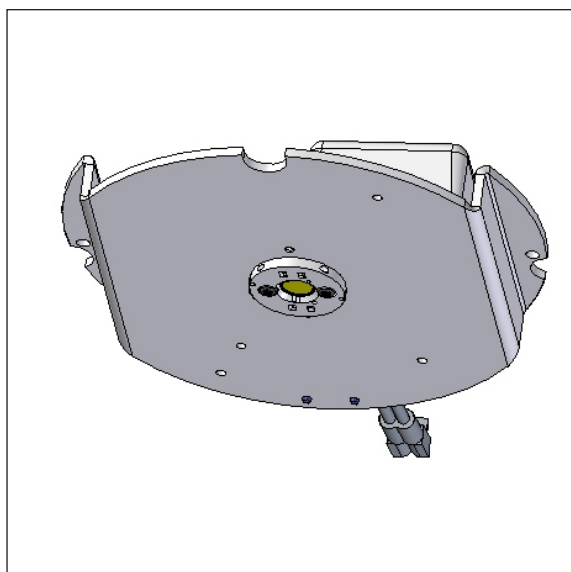


# Nyx 190 - LED module, Vero 8



Complete LED module for easy and efficient refurbishment of existing Nyx 190 wall luminaires.

### LED and driver specification:

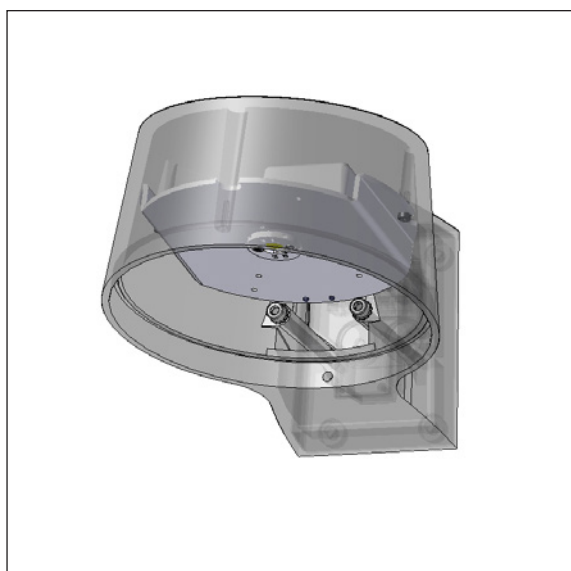
LED type: Bridgelux Vero 8  
 Energy consumption: 6, 8, or 11 W  
 Operational life: min 100,000 hours at ta max 25°C, L90B10  
 Colour temperature: 2700, 3000, or 4000 Kelvin  
 Energy eff class: F  
 Colour rendering: min 90 Ra  
 Colour accuracy: 3 Steps SDCM  
 Output rate: 57%

Driver: LED driver, dimming or programming optional  
 Operational life: min 100,000 hours

### Exchange of lamp module:

Demount the plate holding the old lamp and replace it by the LED module, using the same two screws. For old versions, mount the enclosed connector in the wall box prior to replacing the LED module.

We include a blank lable in the consignment. Write the old item number on the lable and attach it inside the luminaire.



### Variants:

LED module for Nyx 190									
Item No.	Lamp type	Select colour temperature and other options in the table below.							
1974-	6 W Bridgelux Vero 8, 250 mA								
1917-	8 W Bridgelux Vero 8, 350 mA								
1918-	11 W Bridgelux Vero 8, 500 mA								
Combine with:	Colour temperature		Dimming		Classification				
	927	2700 K, 90 Ra	V	1-10 V	empty	class I			
	930	3000 K, 90 Ra	D	Dali	K	class II			
	940	4000 K, 90 Ra	E	programmable					
Example:	1917-930D = 12 W LED module, 3000 K, 90 Ra, Dali								
The above LED modules fit the following variants (X stands for colour code):									
	6022X, 6222X, 6522X, 6822X								
	6022, 6222, 6522, 6840, 6843, 6844								