

Square 190 - exterior

Design: Studio Hammer



With light slits at the top and bottom, Square offers a soft light without glaring. The downwards light is dominant due to the position of the lamps.

In case of interior use Square can be turned upside down, but when used outdoors the correct orientation is important due to drainage of moisture.

Square is available with shaded top and downward light only.

Characters and symbols can be cut out in the front, resulting in clear signage even at darkness.

Dimensions:

190x190

Finish:

White RAL 9010, shine 30

Black Noir 900 Sablé or RAL 9005, shine 30

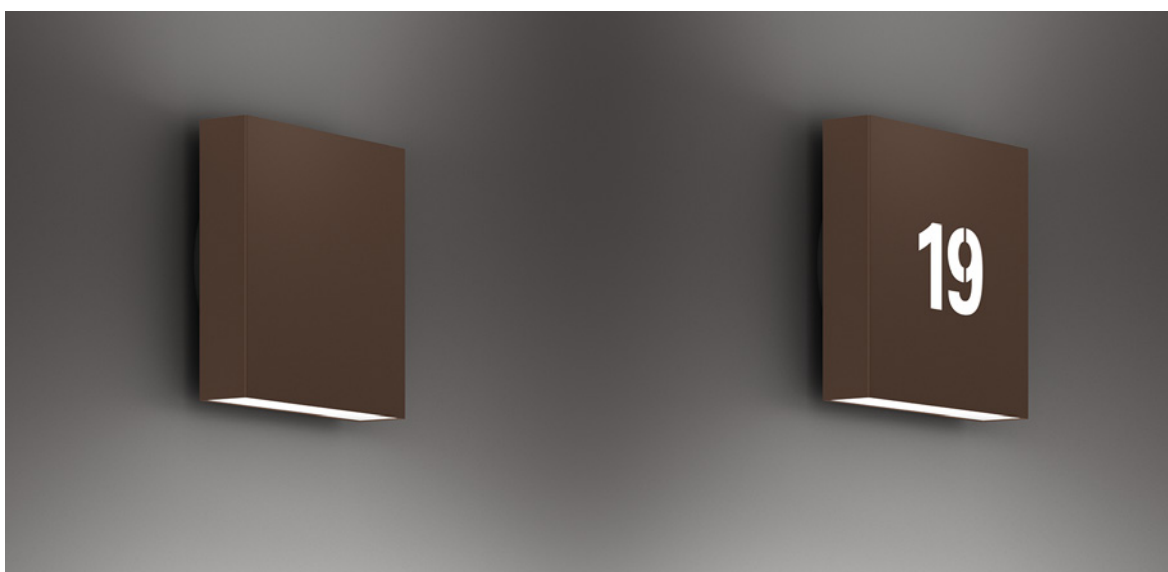
Graphite grey YW355F

Corten brown YX355F

Brushed copper

Lamp types:

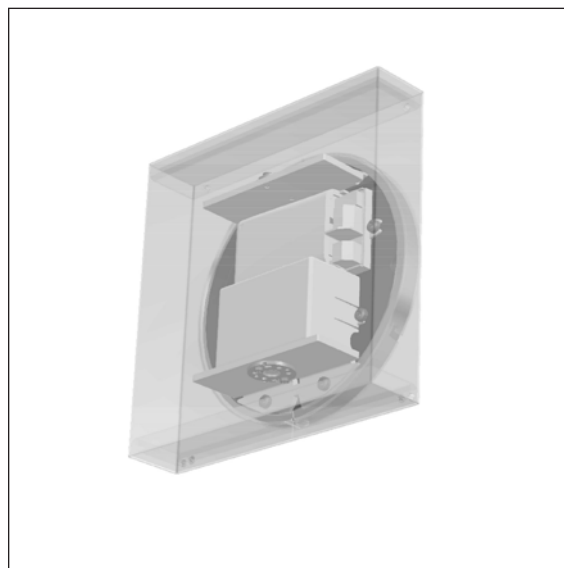
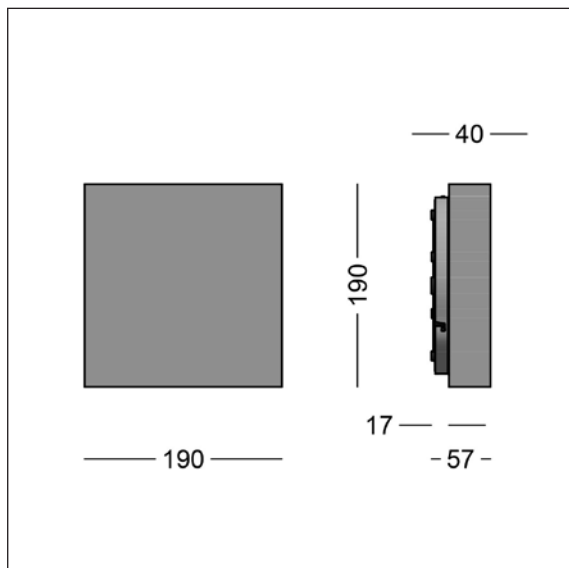
LED Bridgelux



FOCUS-LIGHTING

Square 190

Design: Studio Hammer



Luminaire specification:

Material:	Galvanised steel, coated stainless steel or copper.
Finish:	Graphite grey: YW355F White: RAL 9010, gloss 30 Black: Noir 900 Sablé or RAL 9005, gloss 30 Corten brown: YX355F
Screen:	Polycarbonate, opalised
Cutting in front:	Digits can be cut out in the front. See specification.
Mounting:	On wall
Connection:	Max two cables into 5 x 2,5 mm ² terminal block
Classification:	IP45, class II, IK09
Weight:	1 kg

Lamp and driver specification:

LED type:	Bridgelux V8 + V6
Total consumption:	8 or 11 W
Service life:	100,000 hours at t _a max 25°, L100B10
Colour temperature:	2700, 3000, or 4000 Kelvin
Energy eff. class:	F
Colour rendering:	min 90 Ra
Color accuracy	3 steps SDCM
Output ratio:	58 per cent
Driver:	20 W LED driver, dimming optional
Service life:	min 100,000 hours

Product codes:

SQUARE 190 with Bridgelux LED									
Item No.	Lamp type		Select colour, colour temperature, dimming, etc. in the table below.						
6920-	8 W Bridgelux Vero, 250 mA								
6921-	11 W Bridgelux Vero, 350 mA								
6922-	6 W Bridgelux Vero, 250 mA, downwards only								
6923-	8 W Bridgelux Vero, 350 mA, downwards only								
Combine with:	Colour	Colour temperature	Dimming		Protection class		Laser cutting in front		
	1 white RAL 9010	927 2700 K, 90 Ra	V	1-10 V	K	class II	empty	no cutting	
	3 black RAL 9005	930 3000 K, 90 Ra	D	Dali			C	digits in front	
	4 graphite grey	940 4000 K, 90 Ra							
	8 copper								
	17 corten brown								
	66 black noir 900								
Example:	6920-66927V = Square 190, black noir 900, 8 W LED, 2700 K, 90 Ra, 1-10 V dimming								