

Yoyo Line

Design: C.F. Møller Architects



YOYO is an elegant line of luminaires that is ideal for office environments, conference rooms, reception areas or open spaces in general. Yoyo Line compliments the popular Yoyo family with its round luminaires for surface mounting and round pendants.

Concluded by sharp profiles at both ends, the characteristic parable results in a unique and sculptural look and the impression of a floating luminaire.

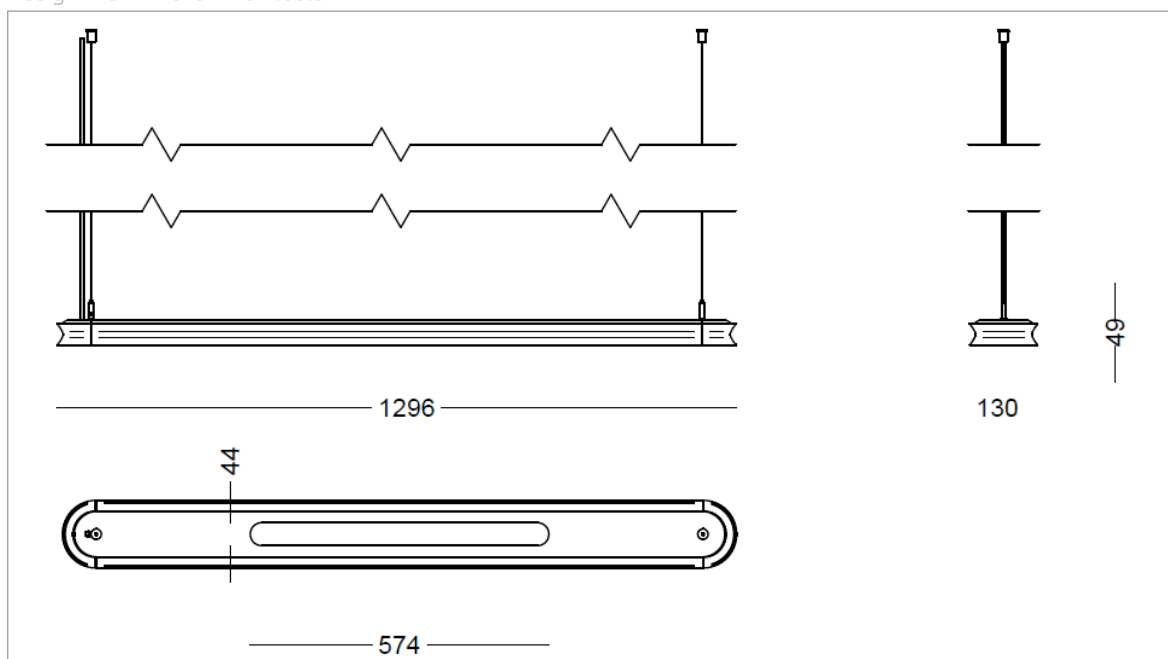
YOYO LINE is edge lit for downward light, and a micro prismatic shade provides for a soft and pleasant lighting. The upward light has either an opal or clear shade. The uplight gives a great distribution of light and reduces glare. The downward and upward light can be controlled separately with a separate driver. It is also possible to choose downward light only. The possibilities for adaption and flexibility for individual projects are therefore endless.

Standard lengths are 1300 and 1900 mm.

YOYO LINE can be delivered in a large range of colors including the popular Raw Anodized and Raw Untreated.

Yoyo Line 1300

Design : C.F. Møller Architects



Luminaire specifications

Material:	cast aluminium
Finish:	raw aluminium, raw anodized white RAL 9010, black RAL 9005 alu-grey RAL 2003, yellow RAL 1032, orange RAL 2003, blue/green RAL 6004, squirrel grey RAL 7000
Shade:	downwards: prismatic 100% down: white upwards: opal or clear
Lead:	3 m 5 x 0,75 mm ²
Suspension:	2 x 2 m steelwire, 1,2 mm
Classification:	IP20, Class I
Weight:	5,3 kg

LED and driver data

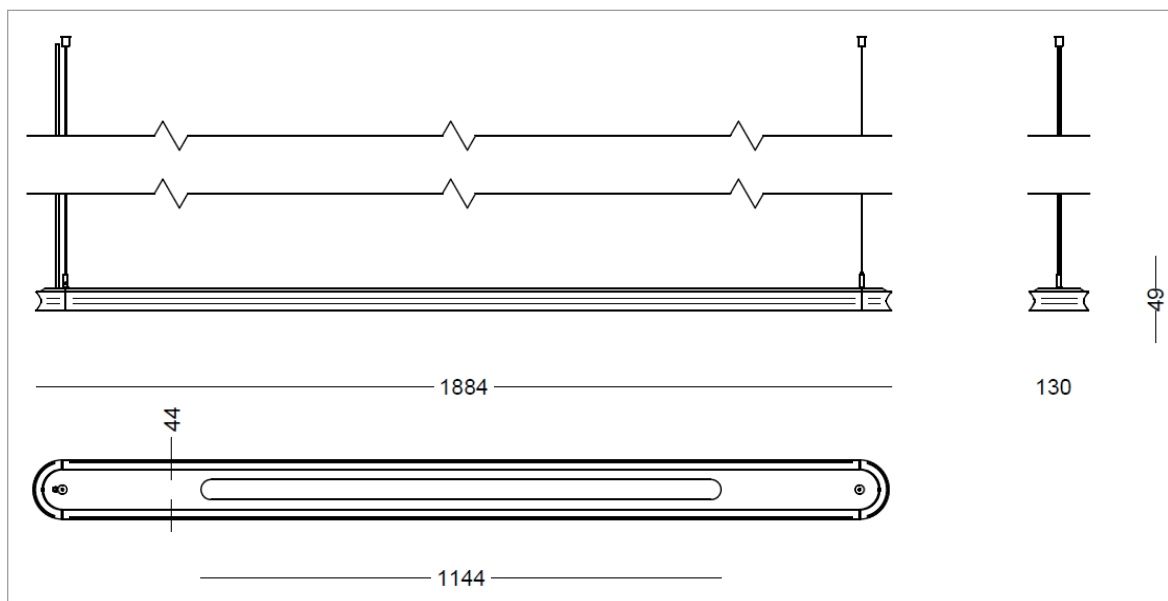
LED down/up:	edge lit/LED board
Consumption:	max. 54 W
Operational life:	50.000 hours at ta 25°, L80B10
Luminous power:	downwards: 1200-4000 lm-out upwards: 1250-2700 lm-out (clear shade) upwards: 1000-2100 lm-out (opal shade)
100% downlight:	max 4000 lm-out
Other variants:	max 5500 lm-out
Colour temperature:	2700, 3000 el. 4000 Kelvin
Colour rendering:	min 90 Ra
Colour accuracy:	3 steps SDCM
Driver:	Dali-2
Driver lifetime:	100.000 hours

Product codes

Yoyo Line 1300						
Item no.	Lamp type (lumen out)	Select colour, colour temperature and dimming in the table below.				
5850-	4000 lm-out, downwards 100%					
5851-	1500 lm-out, downwards 100%					
5852-	5500 lm-out, up and downwards in a 40/60 ratio, clear shade					
5854-	3250 lm-out, up and downwards in a 40/60 ratio, clear shade					
5856-	5300 lm-out, up and downwards in a 40/60 ratio, opal shade					
5858-	2500 lm-out, up and downwards in a 40/60 ratio, opal shade					
To be combined with:	Colour	Shade		Colour temperature		Colour of lead
	0 raw untreated	P	prismatic down	927	2700 K, 90 Ra	empty = white
	01 raw anodized			930	3000 K, 90 Ra	Y = black
	1 white RAL 9010			940	4000 K, 90 Ra	
	3 black RAL 9005					Dimming/Control
	19 alu-grey RAL 9006					D = DALI-2
	102 yellow RAL 1032					
	103 orange RAL 2003					
	104 blue-green RAL 7000					
	105 squirrel grey RAL 7000					
Example Item No.:	5850-3P930D = Yoyo Line 1300, 4000 lm-out, black RAL, shade prismatic, 3000 K, 90 Ra, Dali dimming					

Yoyo Line 1900

Design: C.F. Møller Architects



Luminaire Specifications

Material:	cast aluminium
Finish:	raw aluminium, raw anodized white RAL 9010, black Noir 900 alu-grey RAL 9006, yellow RAL1032, orange RAL 2003, blue/green RAL 600, squirrel grey RAL 7000
Shade:	downwards: prismatic 100% down: white upwards: opal or clear
Lead:	3 m 5 x 0,75 mm ²
Suspension:	2 x 2 m steelwire, 1,2 mm
Classification:	IP20, class I
Weight:	7,4 kg

LED- and driverdata

LED down/up:	edge lit/LED board
Consumption:	max. 54 W
Operational life:	50.000 hours at ta 25°, L80B10
Luminous power:	downwards: 1800-5100 lm-out upwards: 1250-2700 lm-out (clear shade) upwards: 1000-2100 lm out (opal shade)
100% downlight:	max 5100 lm-out
Other variants:	max 5900 lm-out
Colour temperature:	2700, 3000 el. 4000 Kelvin
Colour rendering:	min 90 Ra
Colour accuracy:	3 steps SDCM
Driver:	Dali-2
Driver lifetime:	100.000 hours

Product codes

Yoyo Line 1900						
Item no.	Lamp type (lumen out)	Select colour, colour temperature and dimming in the table below.				
5860-	4800 lm-out, downwards 100%					
5861-	2200 lm-out, downwards 100%					
5862-	5900 lm-out, up and downwards in a 40/60 ratio, clear shade					
5864-	3400 lm-out, up and downwards in a 40/60 ratio, clear shade					
5866-	5300 lm-out, up and downwards in a 40/60 ratio, opal shade					
5868-	3700 lm-out, up and downwards in a 40/60 ratio, opal shade					
To be combined with:	Colour	Shade		Colour temperature		Colour of lead
	0 raw untreated	P	prismatic down	927	2700 K, 90 Ra	empty = white
	01 raw anodized			930	3000 K, 90 Ra	Y = black
	1 white RAL 9010			940	4000 K, 90 Ra	
	3 black RAL 9005					Dimming/control
	19 alu-grey RAL 9006					D = DALI-2
	102 yellow RAL 1032					
	103 orange RAL 2003					
	104 blue/green RAL 6004					
	105 squirrel grey RAL 7000					
Example Item no.:	5860-3P930D = Yoyo Line 1900, 4800 lm-out, black RAL, shade prismatic, 3000 K, 90 Ra, Dali dimming					