

Sky Park

Design: AART Designers



In cooperation with AART Designers we have developed **SKY**, a new park luminaire in a contemporary design. The light source, LED, is placed at the bottom of the luminaire, and the indirect light, reflected by the arched roof, is soft and pleasant.

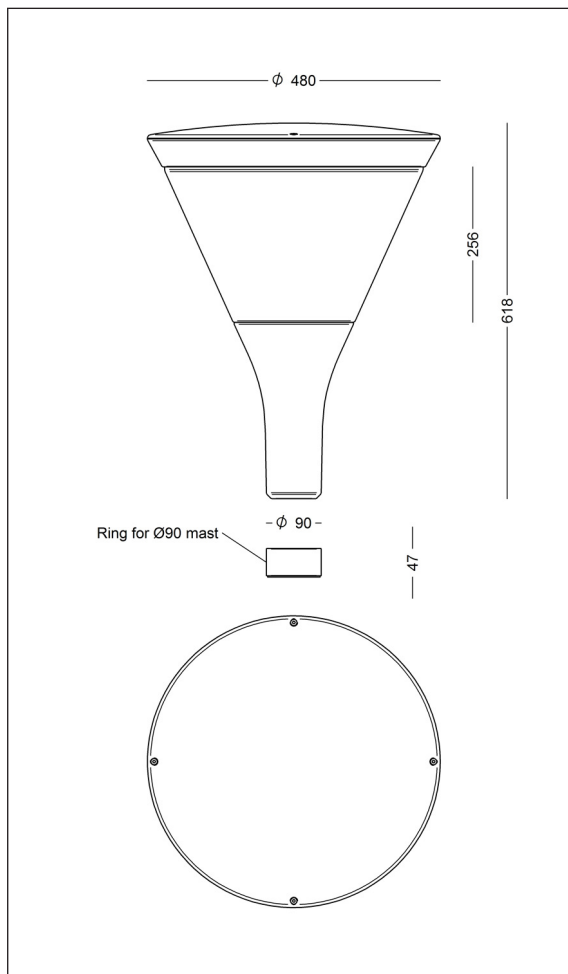
The form of the luminaire, reaching for the sky, with the arched roof top has led to the name **SKY**. Light is reflected and comes from above - from the sky.



FOCUS-LIGHTING

Sky Park - Low / High lumen

Design: AART Designers



Driver specification:

Low lumen, V18:

Driver: Xitanium Full Xi FP 22 W 0.2-0.7 A, prgr.
Inrush current: max 15 A (50% after 295 μ s)

High lumen, V22:

Driver: Xitanium Full Xi FP 40 W 0.3-1.0 A, prgr.
Inrush current: max 22 A (50% after 290 μ s)

Surge protection: L/N-GND: 10 kV, (SR driver: 8 kV)
L-N: 6 kV

Service life: min 100,000 hours

Dimming: 5 steps dimming within the lumen intervals,
DALI-2 (4/5-conductor cable),
Line switch

Alternatively: via Zhaga book 18 socket

Luminaire specification:

Material: Cast aluminium
Finish: Raw anodized
Graphite grey: YW355F
Silver grey: Y2370I
Corten brown: YX355F
Black: Noir 900 Sablé SN351F
Diffuser: Clear polycarbonate with UV-resistant acrylic.
Option for screen for asymmetrical light.
Mounting: On post with 60 mm top diameter,
or on \varnothing 90 mm post with H100 mm top pipe
(requires connection piece)
4 m lead 2 x 1 mm² included
Connection: In the post
Classification: IP66, class II; use code for class I
Impact resistance: IK10; in case of Zhaga socket IK09
Corrosion resistance: C4, C5 optional
Weight: 8.4 kg
Wind sweeping area: 0.143 m² (laterally)
Lamp type: LED

LED specification:

Low lumen: Bridgelux V18
LED-lumen, Ra 80: 2700K: 325-3950 lm, energy eff class E
3000K: 325-4025 lm, energy eff class E
4000K: 325-4050 lm, energy eff class E
Ra 90: 3000K: 275-3000 lm, energy eff class F

High lumen: Bridgelux V22
LED-lumen, Ra 80: 2700K: 625-6800 lm, energy eff class E
3000K: 625-6950 lm, energy eff class D
4000K: 650-7025 lm, energy eff class D
Ra 90: 3000K: 525-5200 lm, energy eff class E

Output ratio: rotation symmetrical: 74%
asymmetrical: 51%

Luminous flux: The luminous flux range quoted above is from
the LED light source.
Apply output ratio in order to calculate
luminous flux out of the luminaire.

Service life: min 100,000 hours at ta max 25°C, L90B10
Constant lumen output

Colour temperature: 2700, 3000, or 4000 Kelvin
Colour rendering: min 80 Ra, typically 85 Ra
option for 90 Ra, 3000K, with R9 = 72
(longer lead times for Ra 90)

Colour accuracy: 3 steps SDCM

Luminous intensity class: G*1

Glare index class: D6

Sky Park - item numbers

Design: AART Designers

Product codes

Sky Park - Low lumen						
Item No.	Lamp type	Select colour and colour temperature in the table below.				
8833-	LED Bridgelux V18, programmable, 4 m lead					
Sky Park - High lumen						
8930-	LED Bridgelux V22, programmable, 4 m lead					
To be combined with	Colour	Colour temperature		Mounting	Dimming/control	
	01 raw anodized	827	2700 K, 80 Ra	empty	Ø60 mm post	empty programmable *)
	4 graphite grey	830	3000 K, 80 Ra	M76	Ø76 mm post	D DALI-2
	9 silver grey	840	4000 K, 80 Ra			F LineSwitch
	17 corten brown	930	3000 K, 90 Ra			R socket and SR driver Zhaga book 18
	66 noir 900		(longer lead times)			RC as above, City Touch
	Protection class	Corrosion protection				
	empty class II	C5	C5 coating			
	J class I	In the case of extra corrosion protection, add C5 to the colour code; example: 8833-66C5830				
Example, product code:	8833-9830J = Sky Park Low lumen, programmable, silver grey, 3000 K 80 Ra, for Ø60 mm post, class I					
*) programmable	When ordering, please state luminous flux as the required LED-lumen + dimming level + dimming period					
Example, profile:	3000 lm 50% 22-06 (fifty per cent dimming from 10 pm to 6 am)					

Accessories

8005-	Connection ring for Ø90 mm column - select colour above.
8006-	Screen for asymmetrical light - powder-coated aluminium - select colour above.



Item No. 8006-

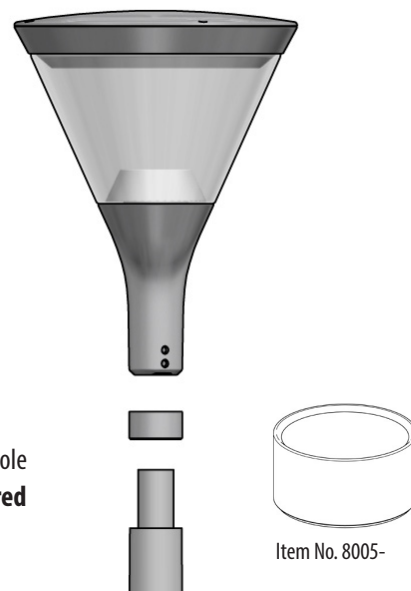
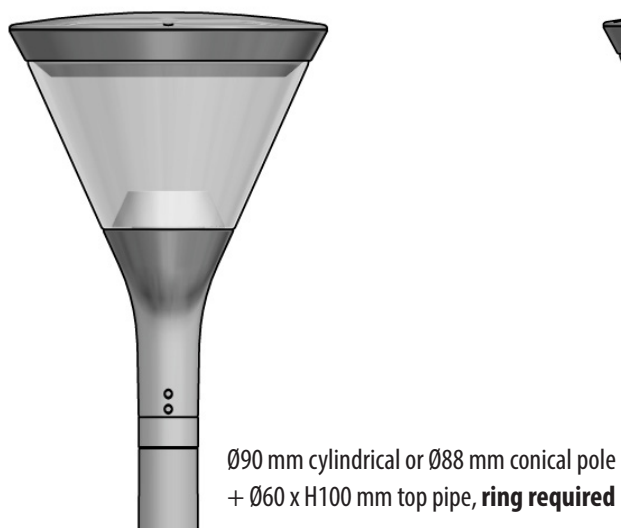
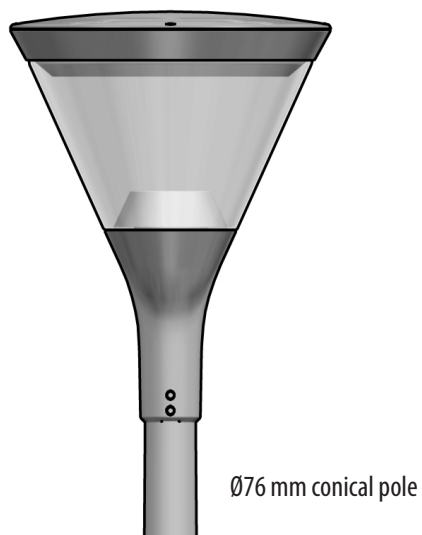
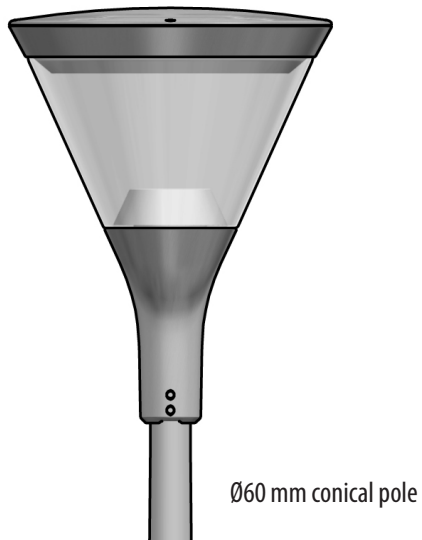
Design poles with Ø60 top pipe

Height above terrain	Conical pole, Ø88 mm top		Cylindrical pole, Ø90 mm	
	for embedment	flanged base	for embedment	flanged base
3 meter	3350-	3450-	3150-	3250-
3.5 meter	3351-	3451-	3151-	3251-
4 meter	3352-	3452-	3152-	3252-
Combine with:	Colour			
	4	graphite grey		
	7	galvanised		
	9	silver grey		
	17	corten brown		
	66	black noir 900		
Accessories				
50202	Rooted base for Ø 62-90 mm poles			
50200	Rooted base for Ø 108-140 mm poles			
98158	Fuse box for conical pole, for 2 Neozed fuses up to 16A			
50271	Fuse box for conical pole, for 3 Neozed fuses up to 16A			
6949	Fuse box for Ø90 pole, DI Euro Mini, max 3 pcs 4 x 10 or 2 pcs 4 x 16 mm2			
6949-J	Fuse box for Ø90 pole, DI Euro Mini, class I, max 2 pcs 5 x 10 mm2			
50279	Fuse box for Ø90 pole, Nipa HSW 1194, max 5 cables 5 x 6 mm2			
8016-	Option: Distance ring for Ø90 mm pole - select colour in the luminaire table			

Sky post top

Sky Park can be mounted on different post types with top pipe:

- Ø60 x H100 mm or
- Ø76 x H100 mm



Sky Park - with glare control 140°

Design: AART Designers



FOCUS-LIGHTING

Find our sales partner in your country under Contacts at www.focus-lighting.dk